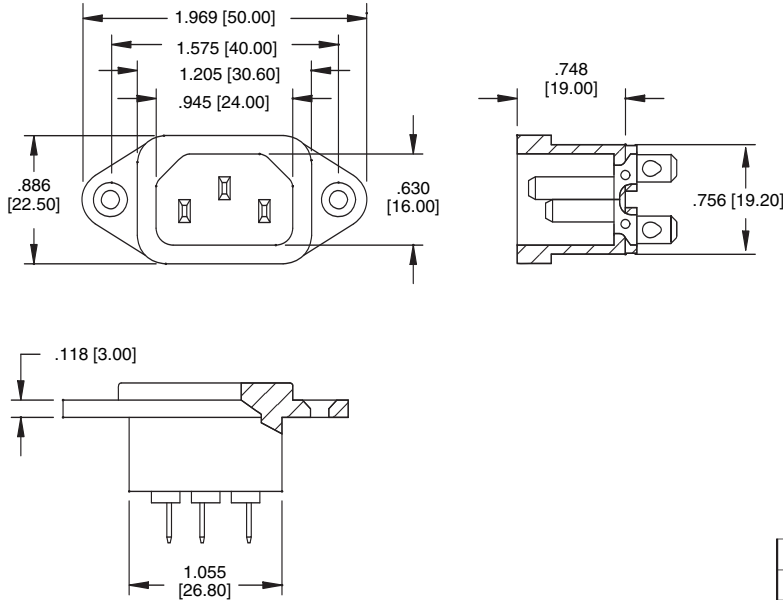
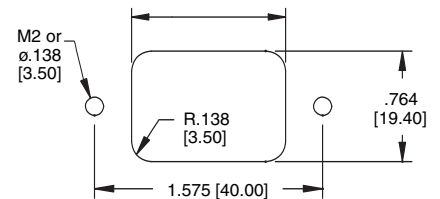


**IEC-A**  
SCREW ON  
PANEL MOUNT



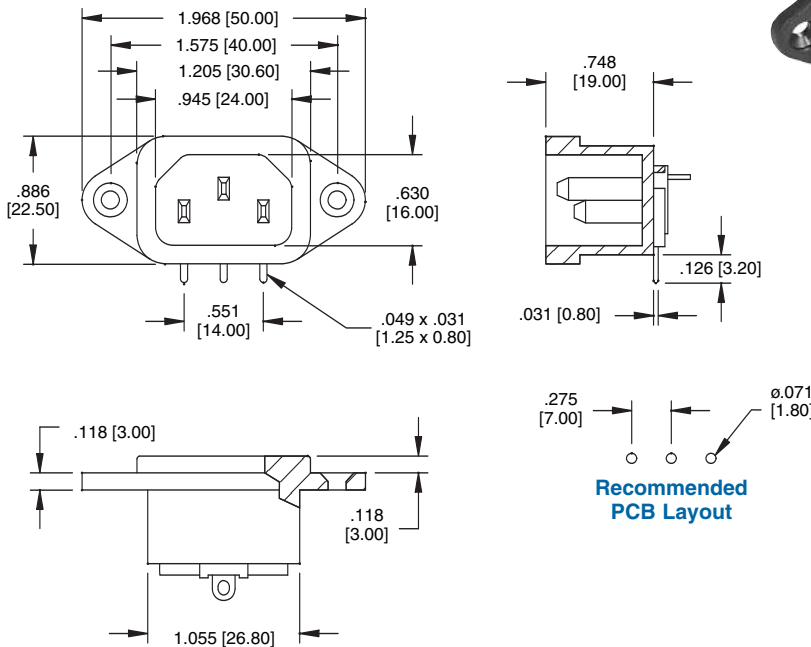
**IEC-A-1**

1.075 [27.30] Front Mounting  
1.212 [30.80] Rear Mounting

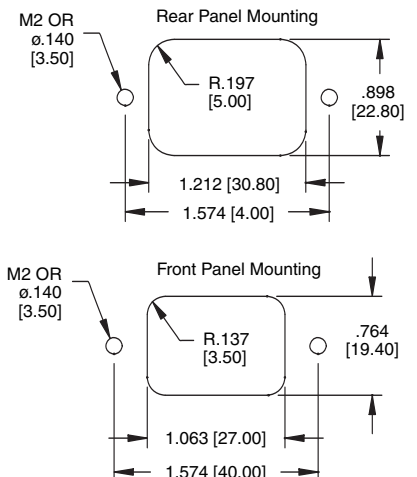


TERMINAL OPTIONS			
1	2	3	5
.187 Q.C.	.250 Q.C.	.157 Solder	.098 Solder

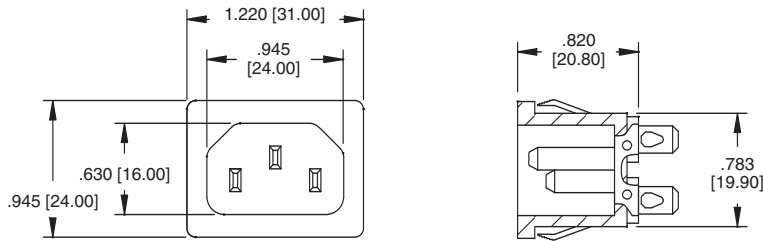
**IEC-A**  
SCREW ON PANEL  
RIGHT ANGLE PCB MOUNT



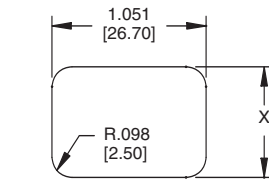
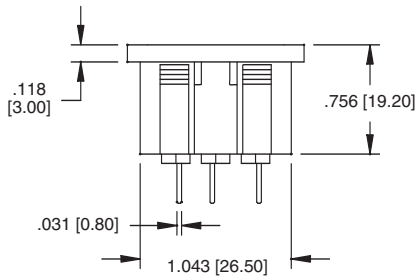
**IEC-A-4**



#### IEC-C UNIVERSAL PANEL SNAP



IEC-C-1

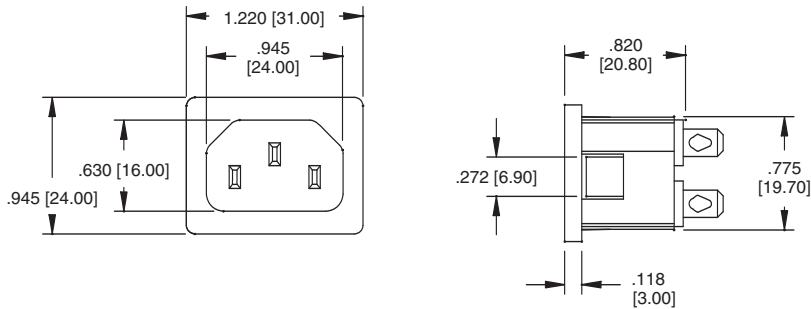


**Recommended Panel Thickness: 0.8mm - 3.0mm**

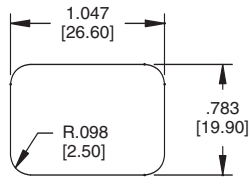
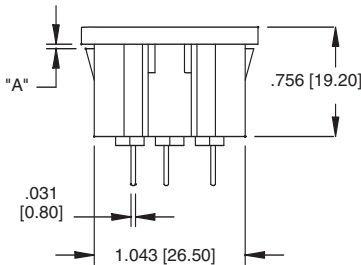
PANEL THICKNESS	DIM X
.031-.039 [0.8-1.0]	.780 [19.8]
.039-.059 [1.0-1.5]	.784 [19.9]
.079-.119 [2.0-3.0]	.788 [20.0]

TERMINAL OPTIONS			
1	2	3	5
.187 Q.C.	.250 Q.C.	.157 Solder	.098 Solder

#### IEC-C DEDICATED PANEL SNAP



IEC-C-1-150



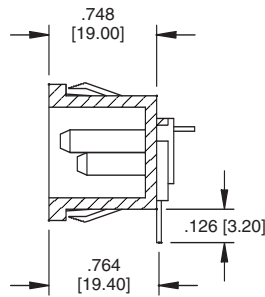
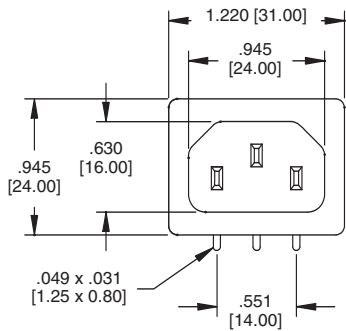
**Recommended Panel Cut-Out**

PANEL THICKNESS	PART NUMBER	DIM "A"
0.8mm	IEC-C-X-080	.031 [0.80]
1.5mm	IEC-C-X-150	.059 [1.50]
3.0mm	IEC-C-X-300	.118 [3.00]
4.0mm	IEC-C-X-400	.157 [4.00]

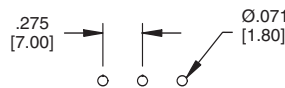
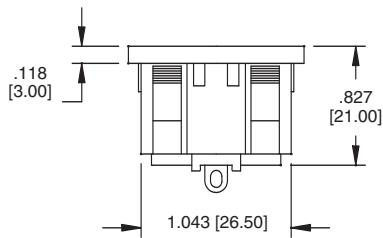
Replace X with terminal option below

TERMINAL OPTIONS			
1	2	3	5
.187 Q.C.	.250 Q.C.	.157 Solder	.098 Solder

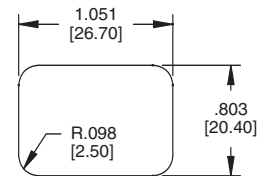
#### IEC-J UNIVERSAL PANEL SNAP RIGHT ANGLE PCB MOUNT



IEC-J-4

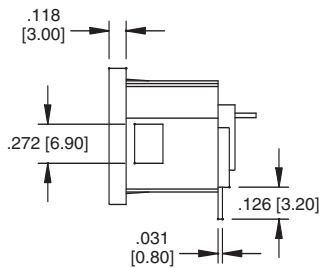
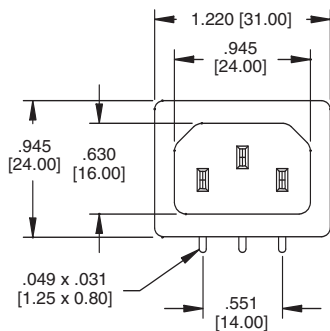


Recommended PCB  
Layout

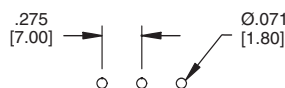
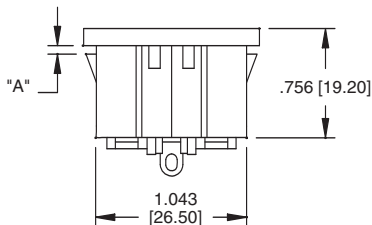


Recommended Panel  
Thickness: 0.80mm - 3.0mm

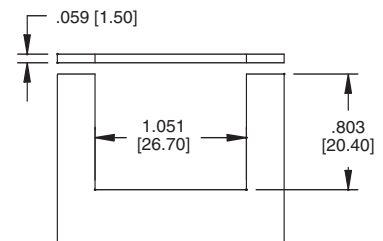
#### IEC-J DEDICATED PANEL SNAP RIGHT ANGLE PCB MOUNT



IEC-J-4-150



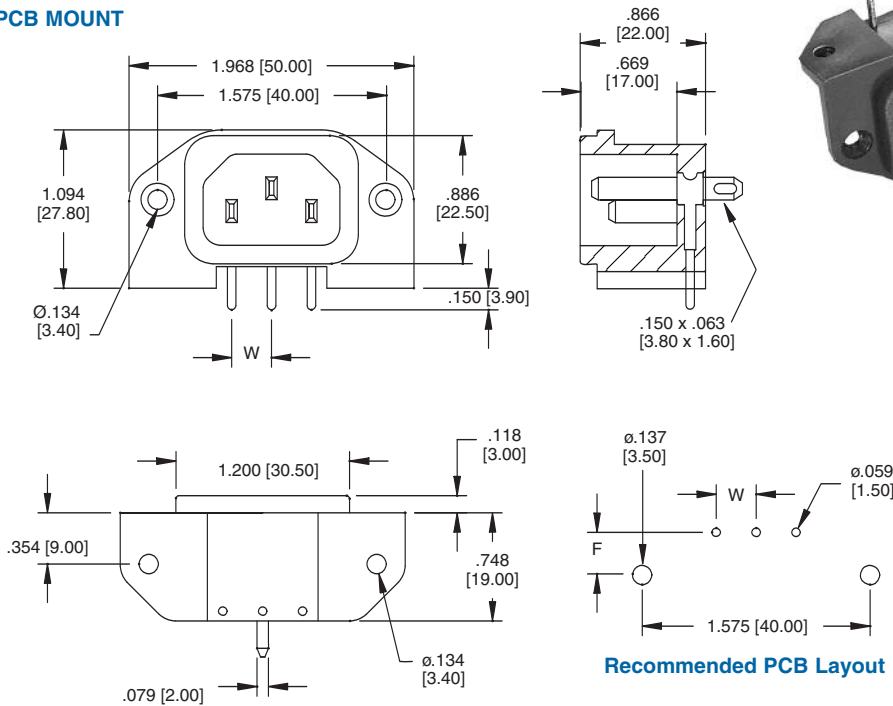
Recommended PCB  
Layout



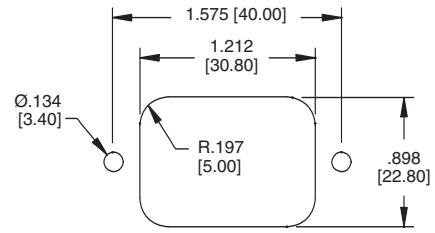
Recommended Panel Cut-Out

PANEL THICKNESS	PART NUMBER	DIM "A"
0.8mm	IEC-J-4-120	.047 [1.20]
1.5mm	IEC-J-4-150	.059 [1.50]
3.0mm	IEC-J-4-200	.079 [2.00]
4.0mm	IEC-J-4-300	.118 [3.00]

**IEC-E**  
**FLANGED RIGHT ANGLE**  
**PCB MOUNT**



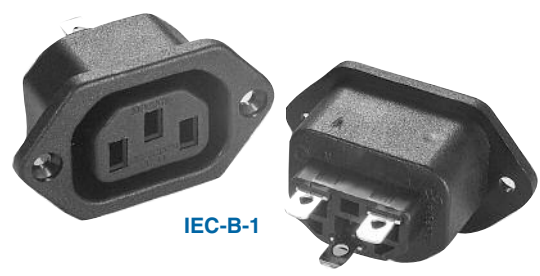
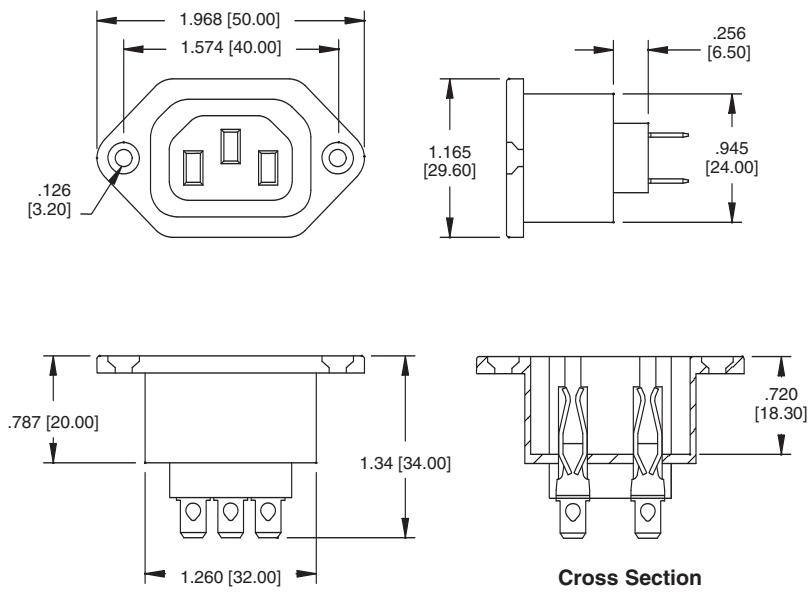
**IEC-EW-4**



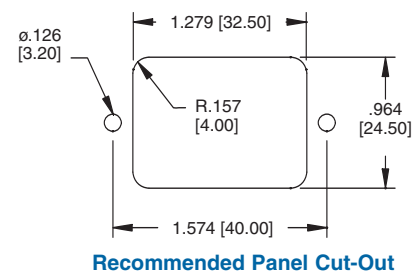
**Recommended Panel Cut-Out**

DIMENSIONAL		
PART NO.	F	W
IEC-EW	.287 [7.30]	.276 [7.00]
IEC-EX	.287 [7.30]	.358 [9.10]
IEC-EY	.382 [9.70]	.276 [7.00]
IEC-EZ	.382 [9.70]	.358 [9.10]

**IEC-B**  
**FLANGED SCREW ON**  
**PANEL MOUNT**



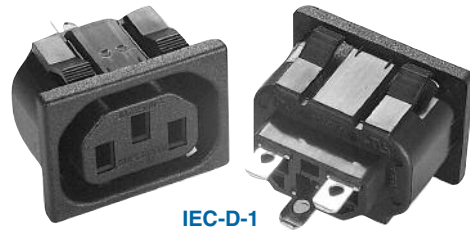
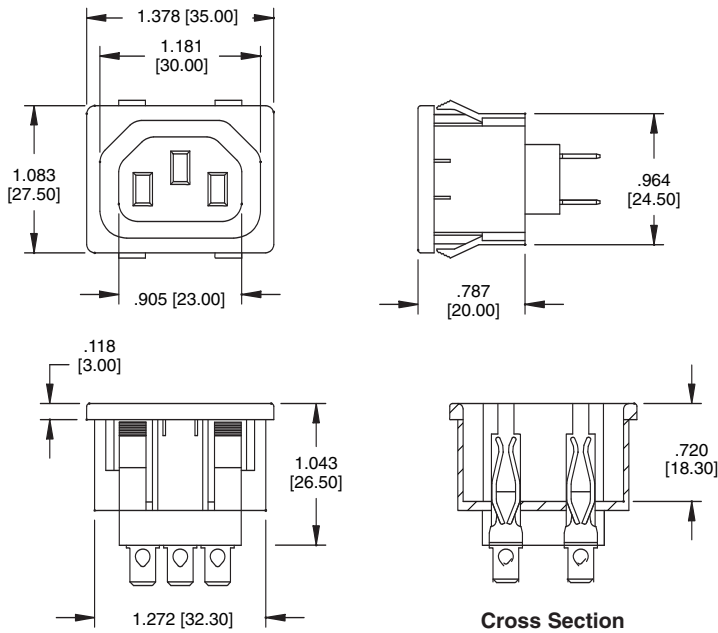
**IEC-B-1**



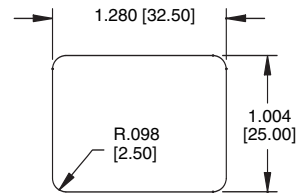
**Recommended Panel Cut-Out**

TERMINAL OPTIONS		
1	2	3
.187 Q.C.	.250 Q.C.	.157 Solder

#### IEC-D UNIVERSAL PANEL SNAP



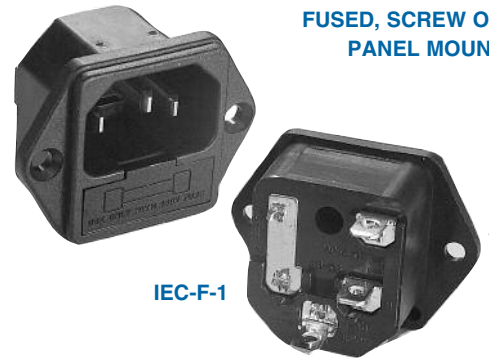
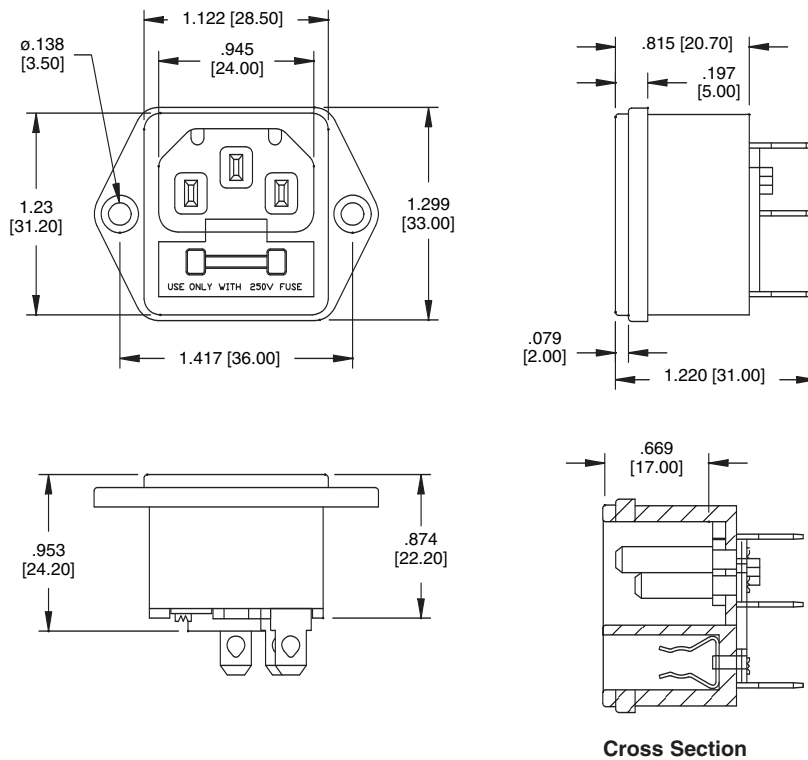
IEC-D-1



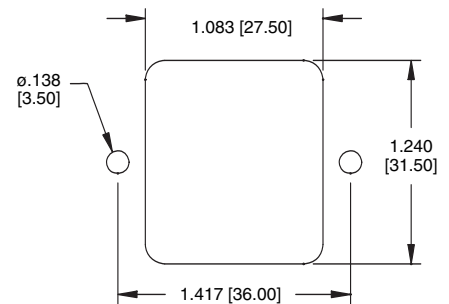
Recommended Panel Thickness:  
0.8mm - 3.0mm

TERMINAL OPTIONS		
1	2	3
.187 Q.C.	.250 Q.C.	.157 Solder

#### IEC-F FUSED, SCREW ON PANEL MOUNT



IEC-F-1



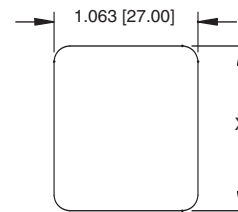
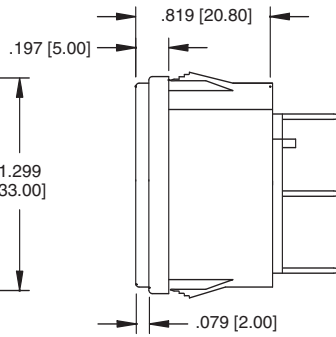
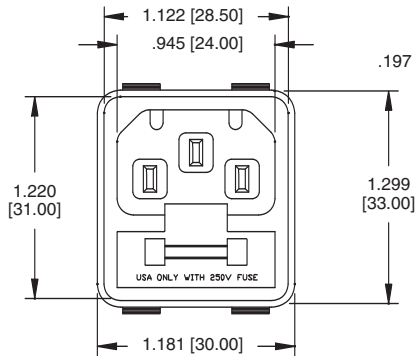
Recommended Panel Cut-Out

#### IEC-G

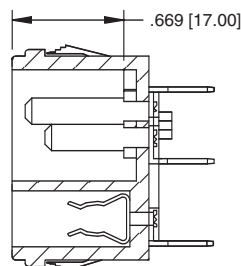
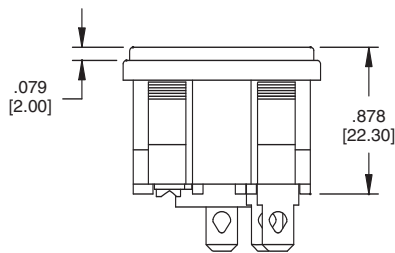
FUSED WITH UNIVERSAL  
PANEL SNAP



IEC-G-1



Panel thickness:  
0.8mm - 3.2mm



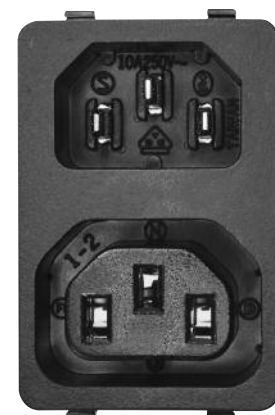
Cross Section

PANEL THICKNESS	DIM X
.031-.071 [0.8-1.8]	1.240 [31.50]
.075-.126 [1.9-3.2]	1.248 [31.70]

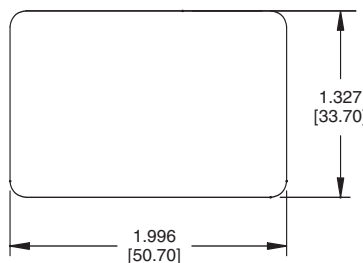
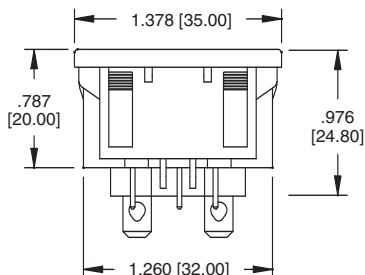
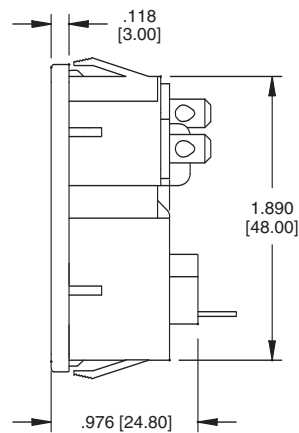
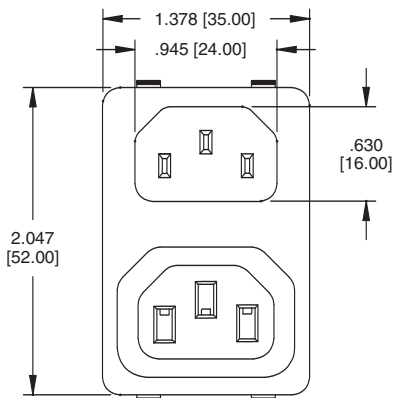
TERMINAL OPTIONS		
1	2	3
.187 Q.C.	.250 Q.C.	.157 Solder

#### IEC-HS

FUSED INLET & OUTLET  
WITH UNIVERSAL  
PANEL SNAP



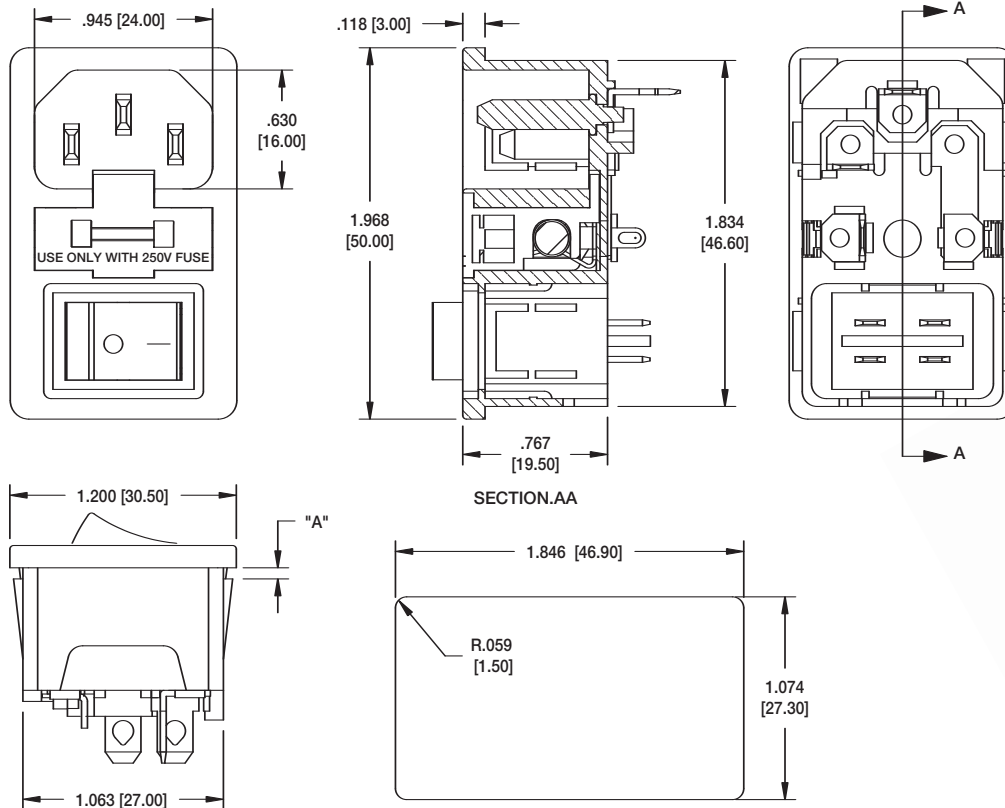
IEC-HS-1



Recommended Panel Cut-Out

#### IEC-GS

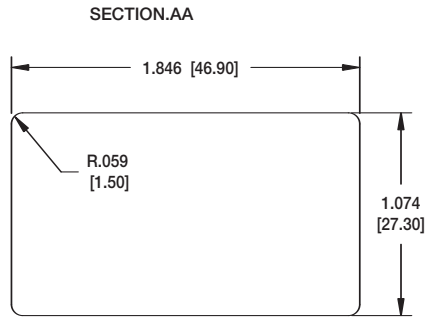
FUSED INLET WITH SWITCH,  
SNAP IN PANEL MOUNT



PART NUMBER	DIM "A"
IEC-GS-1-100	.039 [1.00]
IEC-GS-1-150	.059 [1.50]
IEC-GS-1-200	.079 [2.00]



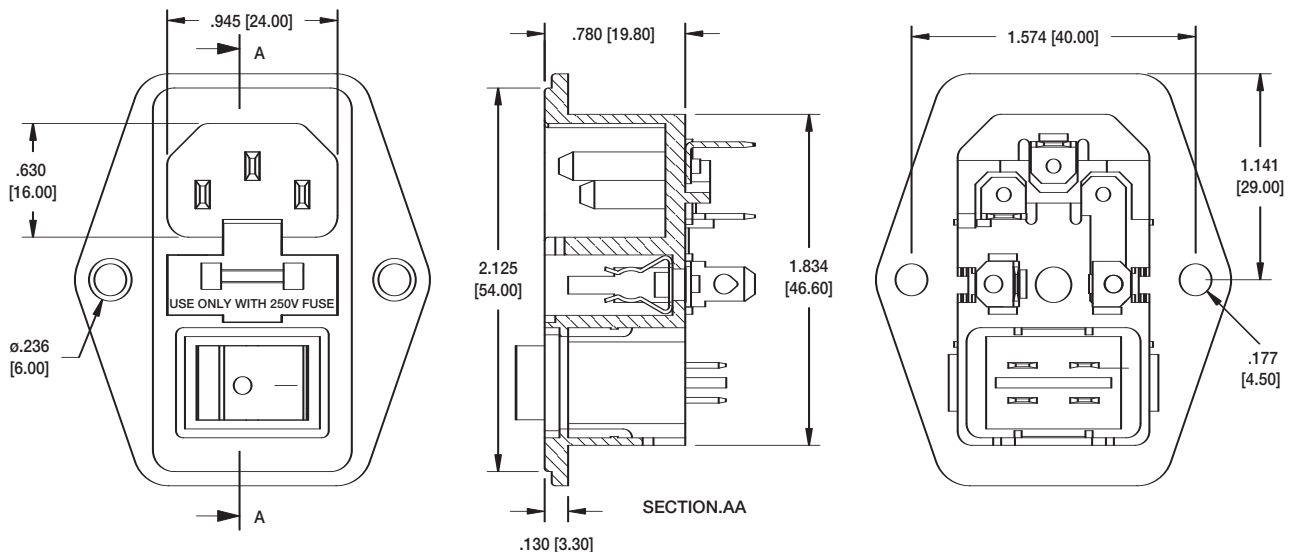
IEC-GS-1-100



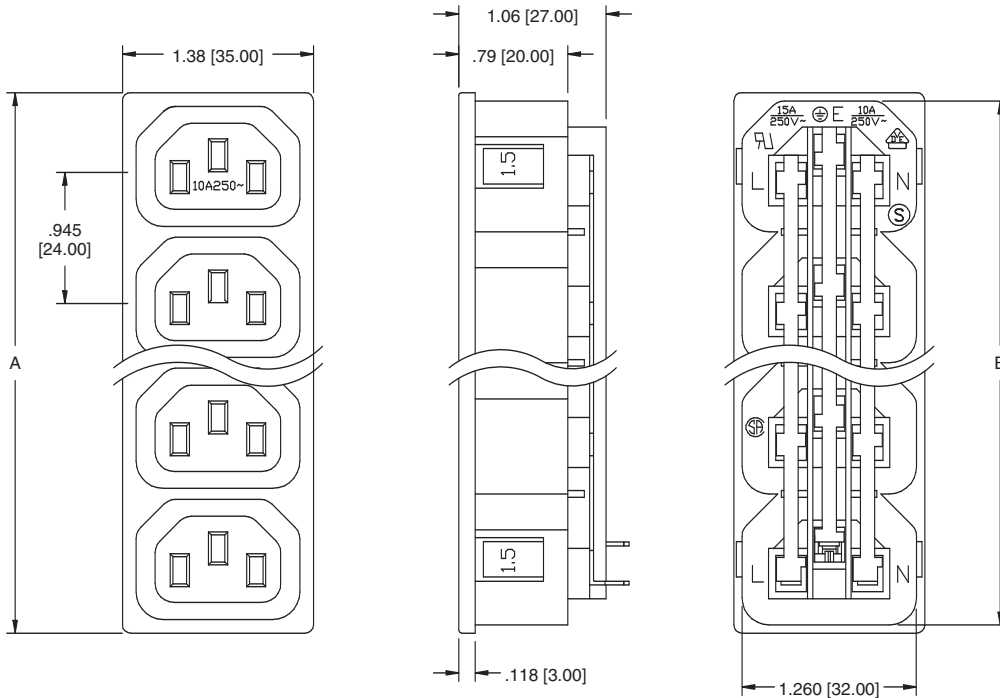
Recommended Panel Cut-Out

#### IEC-FS

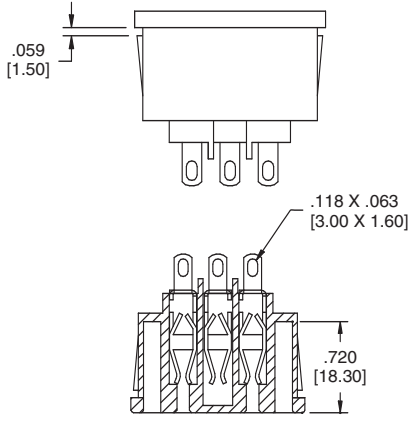
FUSED INLET WITH SWITCH,  
SCREW ON PANEL MOUNT



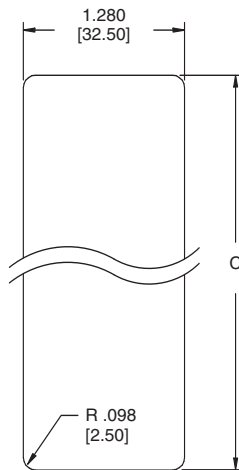
**IEC-D-S**  
**STACKED OUTLETS WITH**  
**DEDICATED PANEL SNAPS**



2 THRU 7 PORTS AVAILABLE



**Cross Section**



**Recommended Panel Cut-Out**



**IEC-D-S4-150**

DIMENSIONS				
PART NUMBER	PORTS	A	B	C
IEC-D-S2-150	2	2.007 [51.00]	1.890 [48.00]	1.901 [48.30]
IEC-D-S3-150	3	2.953 [75.00]	2.835 [72.00]	2.846 [72.30]
IEC-D-S4-150	4	3.897 [99.00]	3.780 [96.00]	3.791 [96.30]
IEC-D-S5-150	5	4.842 [123.00]	4.724 [120.00]	4.736 [120.30]
IEC-D-S6-150	6	5.787 [147.00]	5.670 [144.00]	5.681 [144.30]
IEC-D-S7-150	7	6.732 [171.00]	6.614 [168.00]	6.626 [168.30]

*\*PART NUMBERS SHOWN ARE FOR 1.5mm PANEL THICKNESS. CONSULT FACTORY FOR OTHER PANEL THICKNESSES REQUIREMENTS*