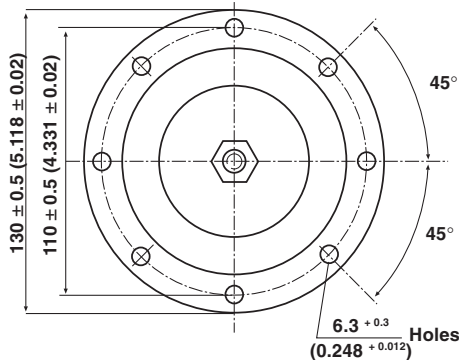
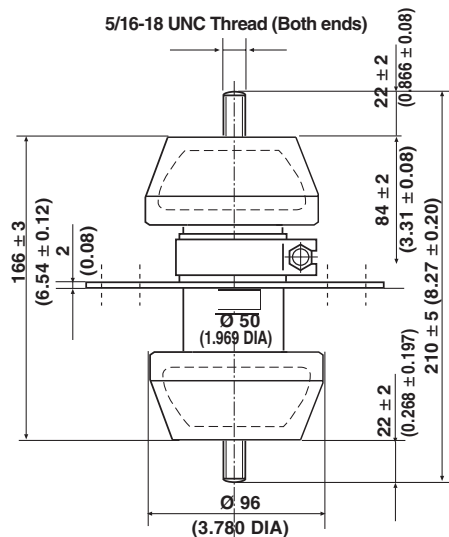
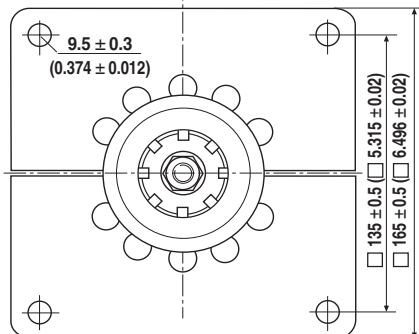
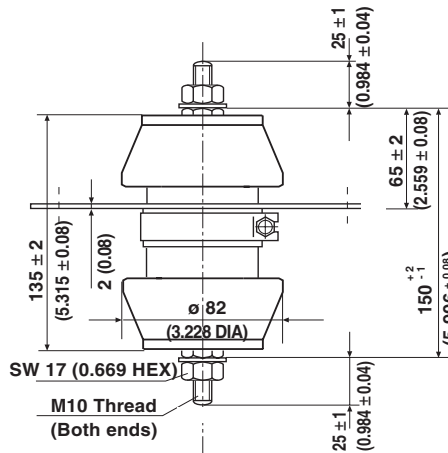
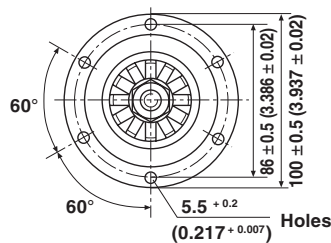
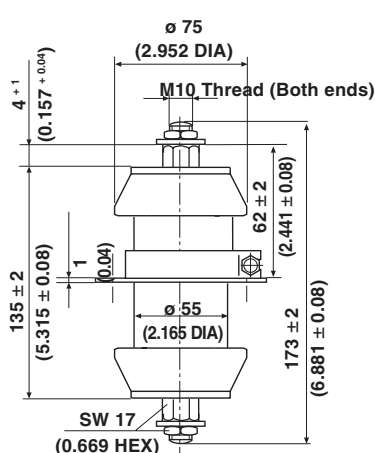


Feed-Through Capacitors with R 16 High Q Ceramic

DB 055135 20 KV_p

DBZ 055135 20 KV_p

DBF 050166 25 KV_p



• Dimensions in millimeters (inches)

MODEL:

These capacitor feature a Q-Factor greater than 10 000 which makes it well suited in operating frequency range from 0.1 MHz up to 30 MHz where high voltages and currents are present.

MATERIAL:

Capacitor elements made from Class 1 "High Q" ceramic dielectric with noble metal electrodes.
Connection terminals: Copper/brass, silver plated.

FINISH:

Noble metal electrodes completely lacquered at model DB 055135. Contoured rims glazed.
DBF model only has additional moisture protection (silicone rubber) at both the contoured rims.

MARKING:

Type designator, Capacitance value and tolerance, Rated voltage, Production date code, Ceramic material code, DRALORIC Logo

ACCESSORIES ADDED:

Hex. nuts/screws and washers (DB, DBZ 055135 only).

ORDERING INFORMATION				
DBZ 055135	20 KV _p	100 pF	± 10 %	R 16 High Q
MODEL	RATED VOLTAGE	CAPACITANCE VALUE	TOLERANCE	CERAMIC

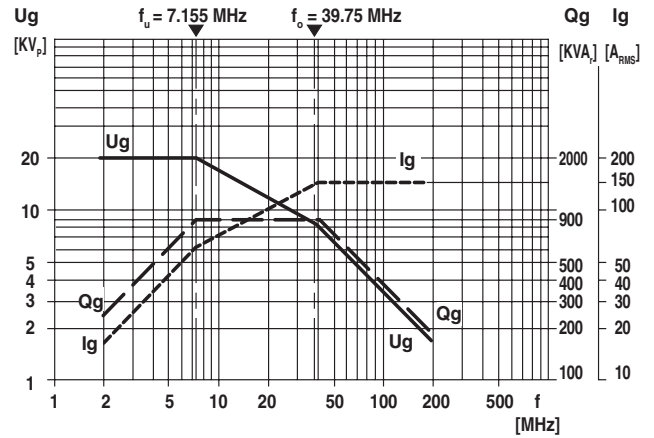


DERATING DIAGRAMS

DB 055135				
CERAMIC	CAPACITANCE VALUE [pF]	RATED VOLTAGE [KV _P]	RATED POWER [KVA _r]*	RATED CURRENT [A _{RMS}]
R 16 High Q	100	20	max. 900	150

CAPACITANCE TOLERANCES: ± 20 %, ± 10 %

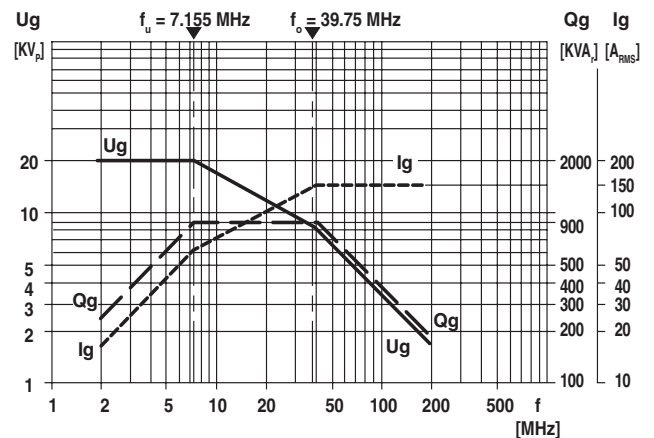
* The surface temperature of 100 °C must not be exceeded
 Feed-through current DC or low frequency RMS current (< 20 KHz): 80 A



DBZ 055135				
CERAMIC	CAPACITANCE VALUE [pF]	RATED VOLTAGE [KV _P]	RATED POWER [KVA _r]*	RATED CURRENT [A _{RMS}]
R 16 High Q	100	20	max. 900	150

CAPACITANCE TOLERANCE: ± 10 %

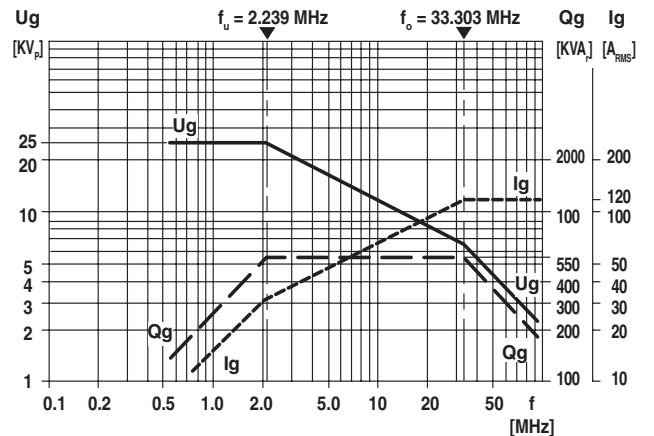
* The surface temperature of 100 °C must not be exceeded
 Feed-through current DC or low frequency RMS current (< 20 KHz): 80 A



DBF 050166				
CERAMIC	CAPACITANCE VALUE [pF]	RATED VOLTAGE [KV _P]	RATED POWER [KVA _r]*	RATED CURRENT [A _{RMS}]
R 16 High Q	125	25	max. 550	120

CAPACITANCE TOLERANCE: ± 10 %

* The surface temperature of 100 °C must not be exceeded
 Feed-through current DC or low frequency RMS current (< 20 KHz): 80 A





Disclaimer

All product specifications and data are subject to change without notice.

Vishay Intertechnology, Inc., its affiliates, agents, and employees, and all persons acting on its or their behalf (collectively, "Vishay"), disclaim any and all liability for any errors, inaccuracies or incompleteness contained herein or in any other disclosure relating to any product.

Vishay disclaims any and all liability arising out of the use or application of any product described herein or of any information provided herein to the maximum extent permitted by law. The product specifications do not expand or otherwise modify Vishay's terms and conditions of purchase, including but not limited to the warranty expressed therein, which apply to these products.

No license, express or implied, by estoppel or otherwise, to any intellectual property rights is granted by this document or by any conduct of Vishay.

The products shown herein are not designed for use in medical, life-saving, or life-sustaining applications unless otherwise expressly indicated. Customers using or selling Vishay products not expressly indicated for use in such applications do so entirely at their own risk and agree to fully indemnify Vishay for any damages arising or resulting from such use or sale. Please contact authorized Vishay personnel to obtain written terms and conditions regarding products designed for such applications.

Product names and markings noted herein may be trademarks of their respective owners.