



TDF8599

I²C-bus controlled dual channel 43 W/2 Ω single channel
85 W/1 Ω class-D power amplifier with load diagnostics

Rev. 01 — 13 November 2008

Product data sheet

1. General description

The TDF8599 is a dual Bridge-Tied Load (BTL) car audio amplifier comprising an NDMOST-NDMOST output stage based on SOI BCDMOS technology. Low dissipation enables the TDF8599 high-efficiency, class-D amplifier to be used with a smaller heat sink than those normally used with standard class-AB amplifiers.

The TDF8599 can operate in either non-I²C-bus mode or I²C-bus mode. When in I²C-bus mode, DC load detection results and fault conditions can be easily read back from the device. Up to five I²C-bus addresses can be selected when an external resistor is connected to pin ADS.

When pin ADS is short circuited to ground, the TDF8599 operates in non-I²C-bus mode. Switching between Operating mode and Mute mode in non-I²C-bus mode is only possible using pins EN and SEL_MUTE.

2. Features

- High-efficiency
- Low quiescent current
- Operating voltage from 8 V to 18 V
- Two 4 Ω/2 Ω capable BTL channels or one 1 Ω capable BTL channel
- Differential inputs
- Supports I²C-bus mode with five I²C-bus addresses or non-I²C-bus mode operation
- Clip detect
- Independent short circuit protection for each channel
- Advanced short circuit protection for load, GND and supply
- Load dump protection
- Thermal foldback and thermal protection
- DC offset protection
- Selectable AD or BD modulation
- Parallel channel mode for high current drive capability
- Advanced clocking:
 - ◆ Switchable oscillator clock source: internal (master) or external (slave)
 - ◆ Spread spectrum mode
 - ◆ Phase staggering
 - ◆ Frequency hopping
- No 'pop noise' caused by DC output offset voltage

- I²C-bus mode:
 - ◆ DC load detection
 - ◆ AC load detection
 - ◆ Thermal pre-warning diagnostic level setting
 - ◆ Identification of activated protections or warnings
 - ◆ Selectable diagnostic information available using pin DIAG
- Qualified in accordance with AEC-Q100

3. Applications

- Car audio applications

4. Quick reference data

Table 1. Quick reference data

Symbol	Parameter	Conditions	Min	Typ	Max	Unit	
General; V_p = 14.4 V							
V _P	supply voltage		8	14.4	18	V	
I _{stb}	standby current	voltage on pin EN < 0.8 V	-	-	10	μA	
I _{q(tot)}	total quiescent current	Operating mode; no load, snubbers and filter connected	-	90	120	mA	
Dual BTL channel; V_p = 14.4 V							
P _o	output power	Stereo mode;					
		THD = 1 %; R _L = 4 Ω	[1]	18	20	-	W
		THD = 10 %; R _L = 4 Ω		24	26	-	W
		square wave (EIAJ); R _L = 4 Ω		-	40	-	W
		THD = 1 %; R _L = 2 Ω		29	32	-	W
		THD = 10 %; R _L = 2 Ω		39	43	-	W
		square wave (EIAJ); R _L = 2 Ω		-	70	-	W
		Parallel mode					
THD = 10 %; R _L = 1 Ω	[1]	-	85	-	W		

[1] Output power is measured indirectly based on R_{DSon} measurement.

5. Ordering information

Table 2. Ordering information

Type number	Package		Version
	Name	Description	
TDF8599TH	HSOP36	plastic, heatsink small outline package; 36 leads; low stand-off height	SOT851-2
TDF8599TD	HSOP36	plastic, heatsink small outline package; 36 leads; low stand-off height	SOT938-1

6. Block diagram

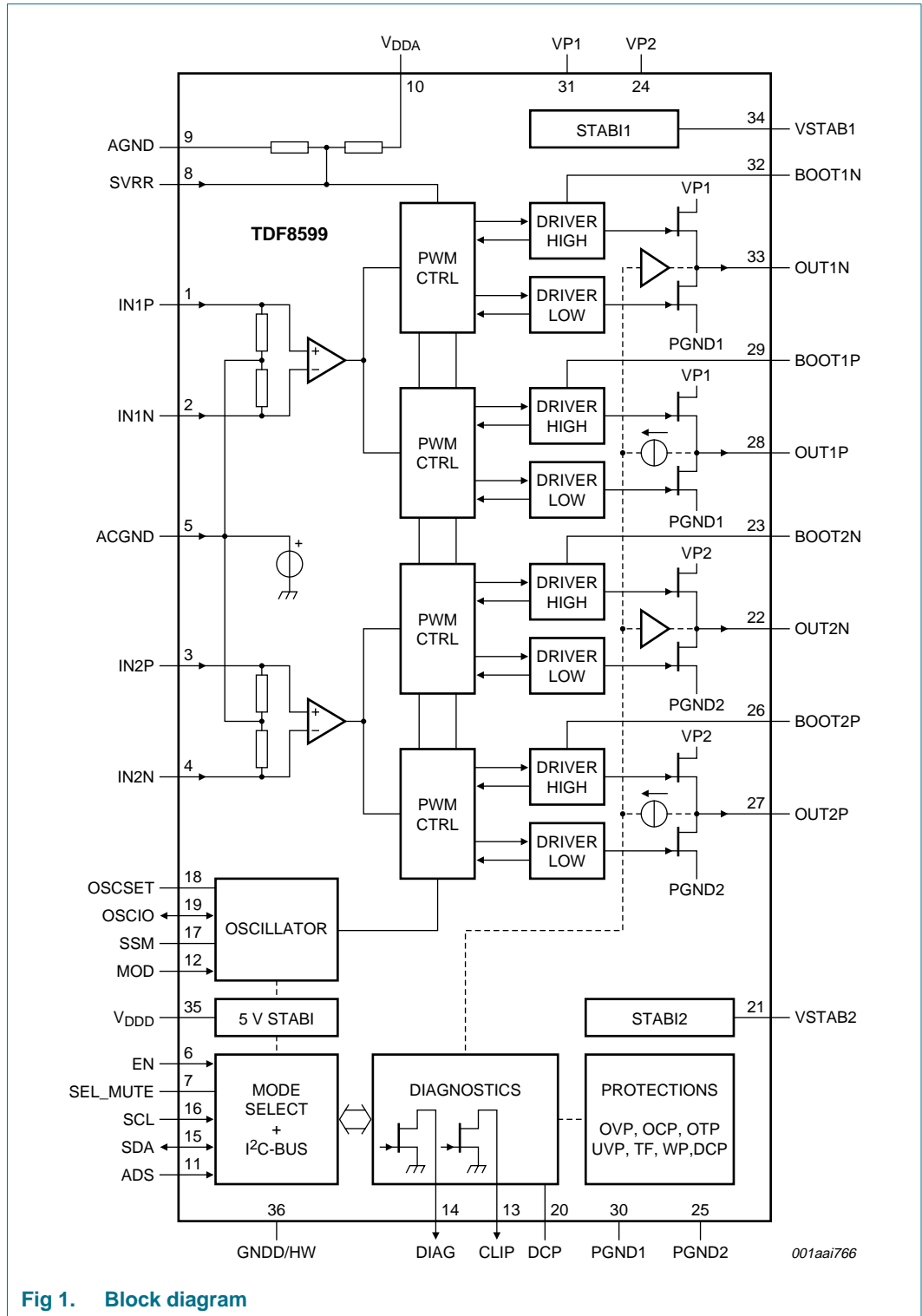


Fig 1. Block diagram

7. Pinning information

7.1 Pinning

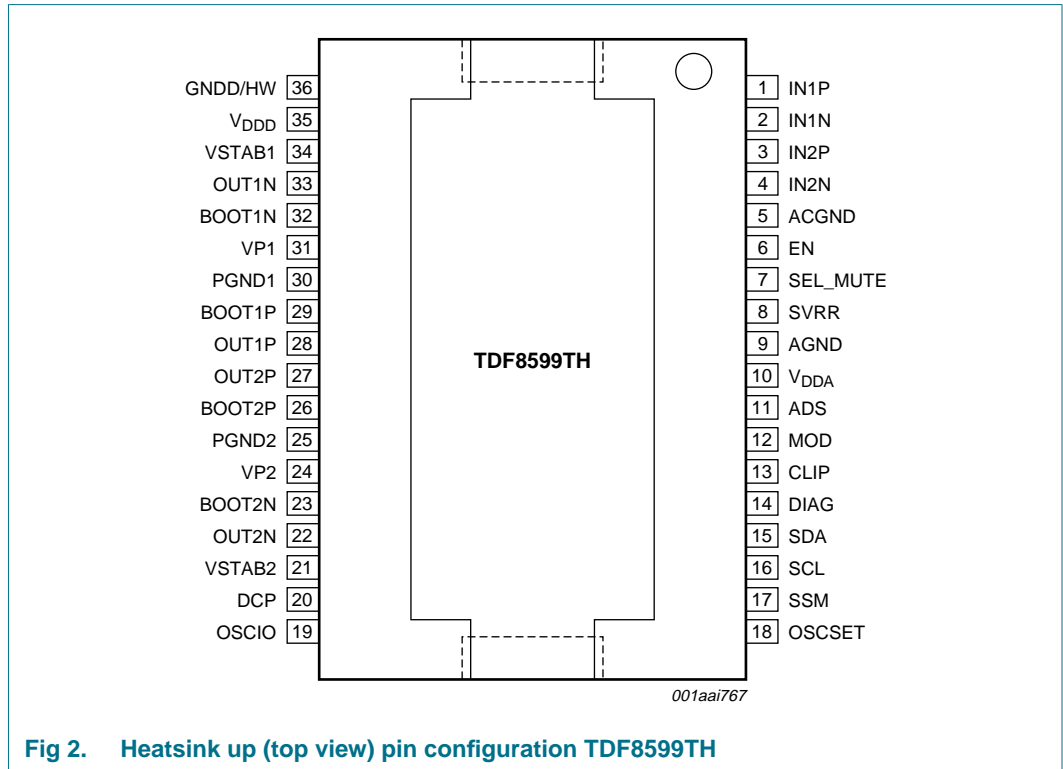


Fig 2. Heatsink up (top view) pin configuration TDF8599TH

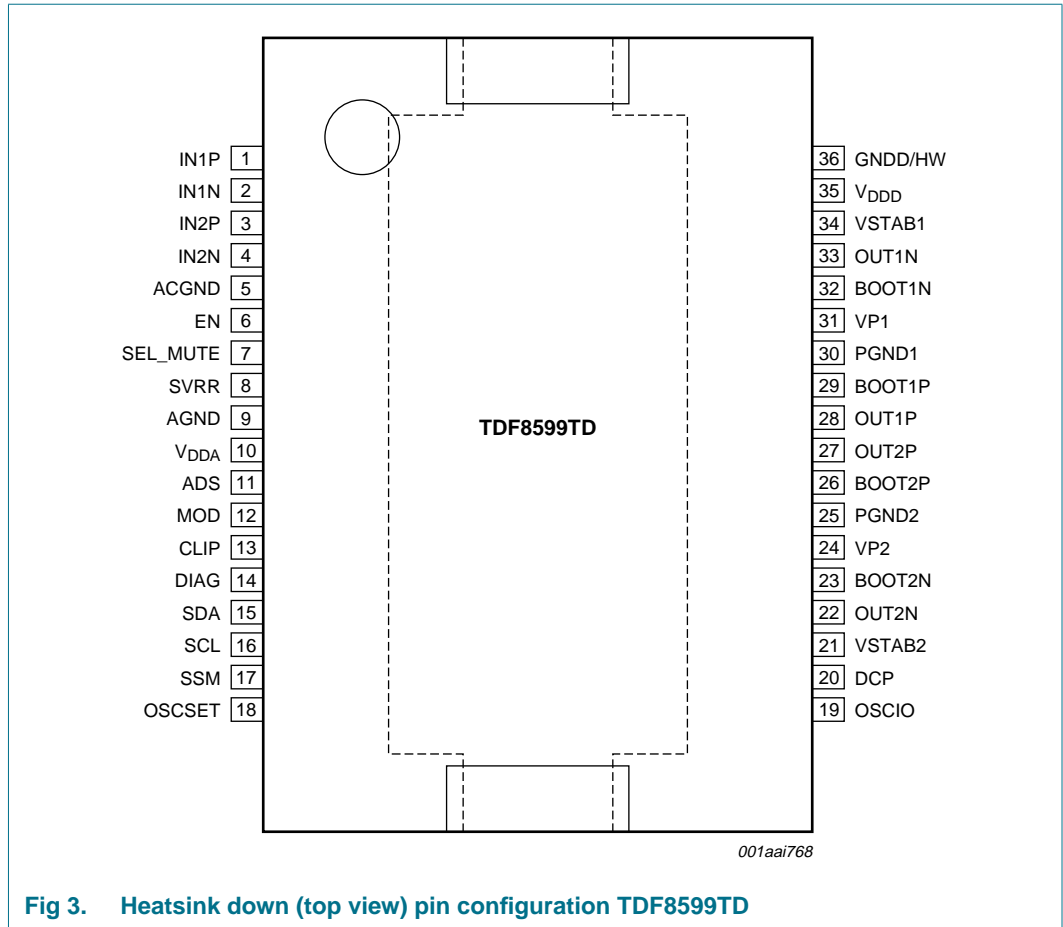


Fig 3. Heatsink down (top view) pin configuration TDF8599TD

7.2 Pin description

Table 3. Pin description

Symbol	Pin	Type ^[1]	Description
IN1P	1	I	channel 1 positive audio input
IN1N	2	I	channel 1 negative audio input
IN2P	3	I	channel 2 positive audio input
IN2N	4	I	channel 2 negative audio input
ACGND	5	I	decoupling for input reference voltage
EN	6	I	enable input: non-I ² C-bus mode: switch between off and Mute mode I ² C-bus mode: off and Standby mode
SEL_MUTE	7	I	select mute or on (unmute)
SVRR	8	I	decoupling for internal half supply reference voltage
AGND	9	G	analog supply ground
V _{DDA}	10	P	analog supply voltage
ADS	11	I	non-I ² C-bus mode: connected to ground I ² C-bus mode: selection and address selection pin
MOD	12	I	modulation mode, phase shift and parallel mode select

Table 3. Pin description ...continued

Symbol	Pin	Type ^[1]	Description
CLIP	13	O	clip output; open-drain
DIAG	14	O	diagnostic output; open-drain
SDA	15	I/O	I ² C-bus data input and output
SCL	16	I	I ² C-bus clock input
SSM	17		master setting: Spread spectrum mode frequency slave setting: phase lock operation
OSCSET	18		master/slave setting oscillator master only setting: set internal oscillator frequency
OSCIO	19	I/O	external oscillator slave setting: input internal oscillator master setting: output
DCP	20	I	DC protection input for the filtered output voltages
VSTAB2	21		decoupling internal stabilizer 2 for DMOST drivers
OUT2N	22	O	channel 2 negative PWM output
BOOT2N	23		boot 2 negative bootstrap capacitor
VP2	24	P	channel 2 power supply voltage
PGND2	25	G	channel 2 power ground
BOOT2P	26		boot 2 positive bootstrap capacitor
OUT2P	27	O	channel 2 positive PWM output
OUT1P	28	O	channel 1 positive PWM output
BOOT1P	29		boot 1 positive bootstrap capacitor
PGND1	30	G	channel 1 power ground
VP1	31	P	channel 1 power supply voltage
BOOT1N	32		boot 1 negative bootstrap capacitor
OUT1N	33	O	channel 1 negative PWM output
VSTAB1	34		decoupling internal stabilizer 1 for DMOST drivers
V _{DDD}	35		decoupling of the internal 5 V logic supply
GNDD/HW	36	G	ground digital supply voltage handle wafer connection

[1] I = input, O = output, I/O = input/output, G = ground and P = power supply.

8. Functional description

8.1 General

The TDF8599 is a dual full bridge (BTL) audio power amplifier utilizing class-D technology. The audio input signal is converted into a Pulse-Width Modulated (PWM) signal using the analog input and PWM control stages. A PWM signal is applied to driver circuits for both high-side and low-side enabling the DMOS power output transistors to be driven. An external 2nd order low-pass filter converts the PWM signal into an analog audio signal across the loudspeakers.

The TDF8599 includes integrated common circuits for all channels such as the oscillator, all reference sources, mode functionality and a digital timing manager. In addition, the built-in protection includes thermal foldback, temperature, overcurrent and overvoltage (load dump).

The TDF8599 operates in either I²C-bus mode or non-I²C-bus mode. In I²C-bus mode, DC load detection, frequency hopping and extended configurability are provided together with enhanced diagnostic information.

8.2 Mode selection

The mode pins EN and SEL_MUTE enable mute state, I²C-bus mode and Operating mode switching.

Pin SEL_MUTE is used to mute and demute the device and must be connected to an external capacitor. This capacitor generates a time constant which is used to ensure smooth fade-in and fade-out of the input signal.

When pin EN is LOW, the TDF8599 is off and the supply current is at its lowest value (typically 2 μA). When off, the TDF8599 is completely deactivated and will not react to I²C-bus commands. The TDF8599 is enabled when pin EN is HIGH.

A resistor connected between pin ADS and ground determines if the TDF8599 is in I²C-bus mode or in non-I²C-bus mode (see Section 9). I²C-bus mode is selected by leaving the connection between pin ADS and pin GND open. In I²C-bus mode with pin EN HIGH, the TDF8599 is in Standby mode and will wait for further commands.

Non-I²C-bus mode is selected by connecting pin ADS to pin GND. In non-I²C-bus mode, the default TDF8599 state is Mute mode. The amplifiers switch idle (50 % duty cycle) and the audio signal is suppressed at the output. In addition, the capacitor (C_{SVRR}) is charged to half the supply voltage. To enter Operating mode, pin SEL_MUTE must be released (see Figure 4) and capacitor (C_{ON}) charged by an internal pull-up.

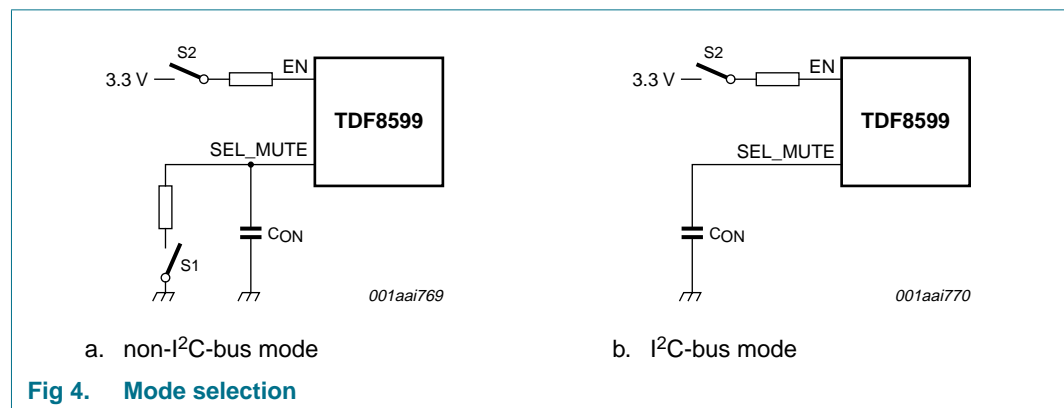


Fig 4. Mode selection

I²C-bus mode and non-I²C-bus mode control are described in Table 4 and Table 5. Switches S1 and S2 are illustrated in Figure 4.

Table 4. I²C-bus mode operation

Pin EN	Bit IB1[D0]	Bit IB2[D0]	Mode
S2 closed	1	0	Operating mode
	1	1	Mute mode
	0	X ^[1]	Standby mode
S2 open	X ^[1]	X ^[1]	off

[1] X = do not care

Table 5. Non-I²C-bus mode operation

Pin EN	Bit IB2[D0]	Mode
S2 closed	S1 open	Operating mode
	S2 closed	Mute mode
S2 open	do not care	off

8.3 Pulse-width modulation frequency

The output signal from the amplifier is a PWM signal with a switching frequency of f_{osc} . This frequency is set by connecting a resistor (R_{osc}) between pins OSCSET and AGND. The optimal clock frequency setting is between 300 kHz and 400 kHz. Connecting a resistor with a value of 39 kΩ, for example, sets the clock frequency to 320 kHz. The external capacitor (C_{osc}) has no influence on the oscillator frequency. It does however, reduce jitter and sensitivity to disturbance. Using a 2nd order LC demodulation filter in the application generates an analog audio signal across the loudspeaker.

8.3.1 Master and slave mode selection

In a master and slave configuration, multiple TDF8599 devices are daisy-chained together in one audio application with a single device providing the clock frequency signal for the other devices. In this situation, it is recommended that the oscillators of all devices are synchronized for optimum EMI behavior as follows:

All OSCIO pins are connected together and one TDF8599 in the application is configured as the clock-master. All other TDF8599 devices are configured as clock-slaves (see [Figure 6](#)).

- The clock-master pin OSCIO is configured as the oscillator output. When a resistor (R_{osc}) is connected between pins OSCSET and AGND, the TDF8599 is in Master mode.
- The clock-slave pins OSCIO are configured as the oscillator inputs. When pin OSCSET is directly connected to pin AGND (see [Table 6](#)), the TDF8599 is in Slave mode.

Table 6. Mode setting OSCIO

Mode	Settings	
	Pin OSCSET	Pin OSCIO
Master	$R_{osc} > 26 \text{ k}\Omega$	output
Slave	$R_{osc} = 0 \text{ k}\Omega$; shorted to AGND	input

The value of the resistor R_{osc} sets the carrier frequency based on the following formula:

$$f_{osc} = \frac{12.45 \times 10^9}{R_{osc}} [Hz] \tag{1}$$

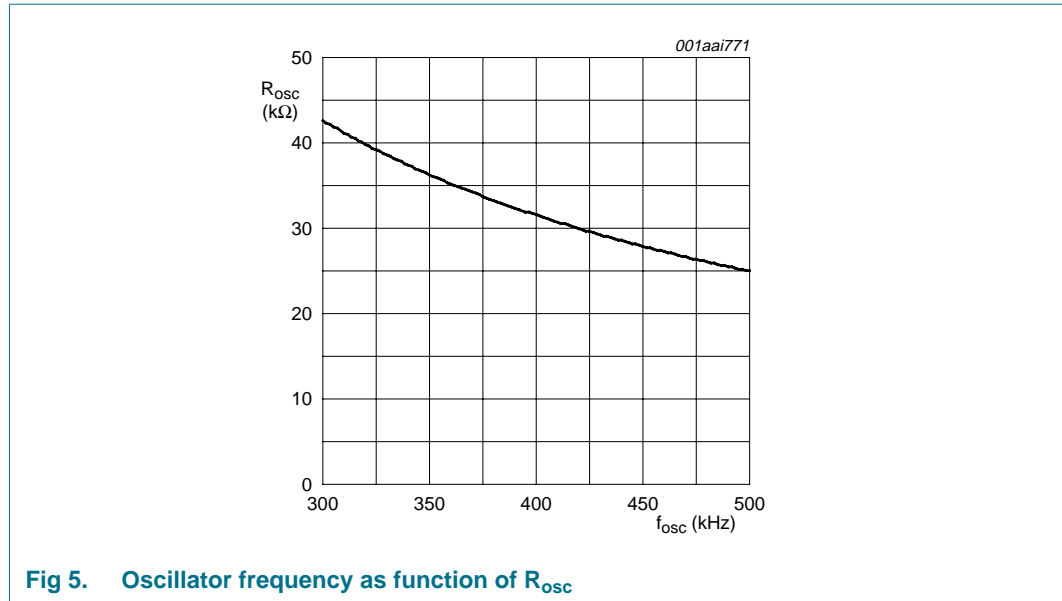


Fig 5. Oscillator frequency as function of R_{osc}

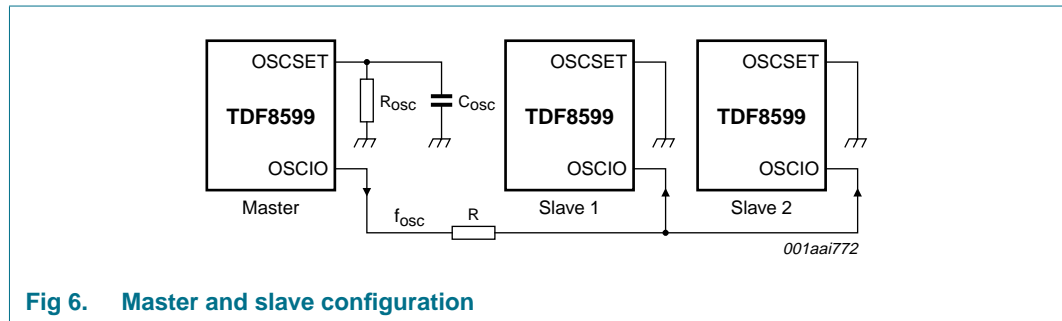


Fig 6. Master and slave configuration

In Master mode, Spread spectrum mode and frequency hopping can be enabled. In Slave mode, phase staggering and phase lock operation can be selected. An external clock can be used as the master-clock on pin OSCIO of the slave devices. When using an external clock it must remain active during the shutdown sequence to ensure that all devices are switched off and able to enter the off state as described in [Section 8.2](#).

8.3.2 Spread spectrum mode (Master mode)

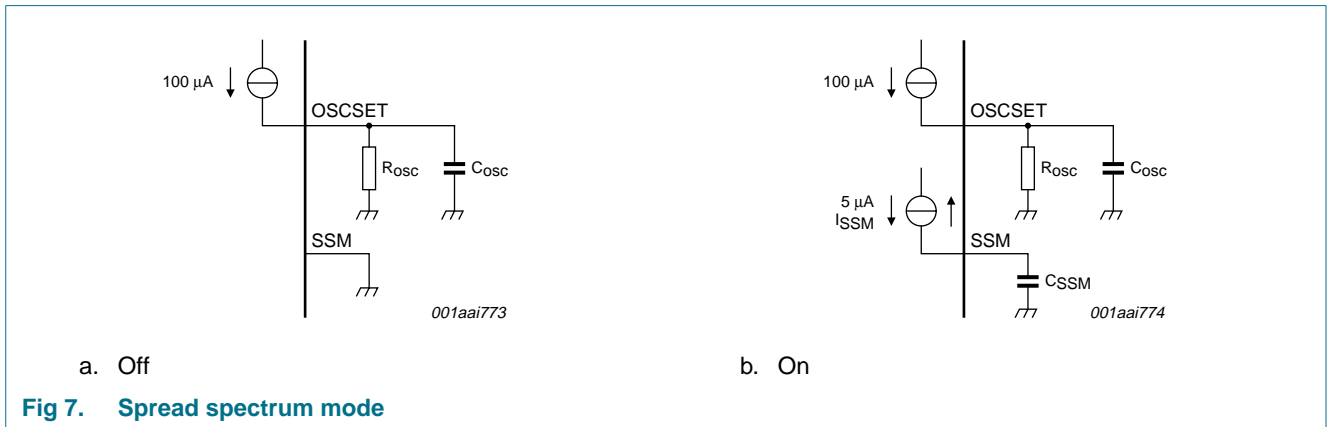
Spread spectrum mode is a technique of modulating the oscillator frequency with a slow varying signal to broaden the switching spectrum, thereby reducing the spectral density of the EMI. Connecting a capacitor (C_{SSM}) to pin SSM enables Spread spectrum mode (see [Figure 7](#)). When pin SSM is connected to pin AGND, Spread spectrum mode is disabled.

The capacitor on pin SSM (C_{SSM}) sets the spreading frequency when Spread spectrum mode is active. The current (I_{SSM}) flowing in and out of pin SSM is typically 5 μA . This gives a triangular voltage on pin SSM that sweeps around the voltage set by pin OSCSET $\pm 5\%$. The voltage on pin SSM is used to modulate the oscillator frequency.

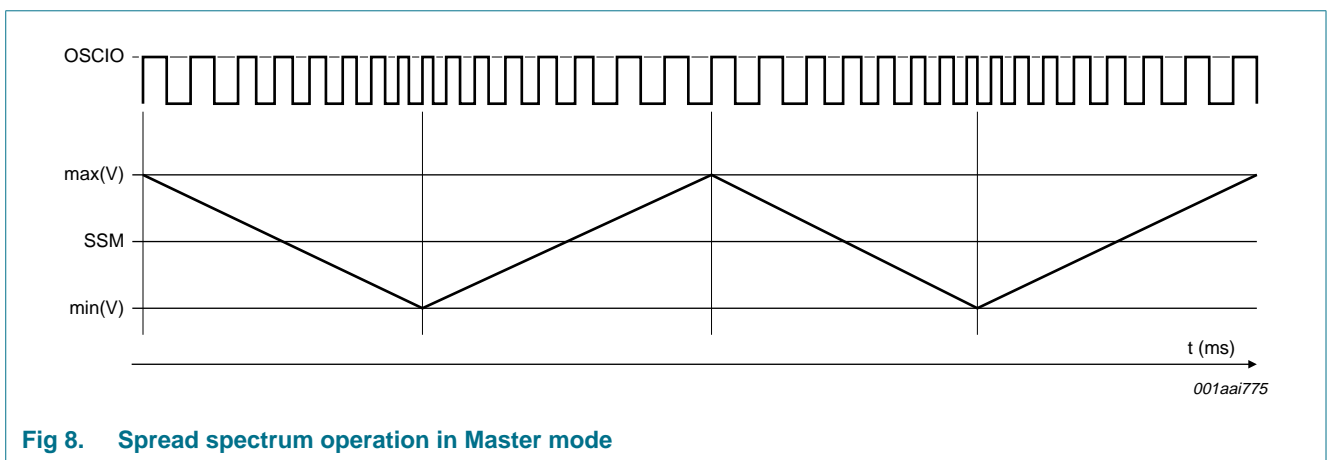
The spread spectrum frequency can be calculated using:

$$f_{SSM} = \frac{I_{SSM}}{2 \times C_{SSM} \times V_1 \times 10\%} [Hz] \tag{2}$$

where the voltage on pin OSCSET = V_1 and is calculated as $100 \mu A \times R_{osc}$ (V) with $I_{SSM} = 5 \mu A$.



The frequency swings between $0.95 \times f_{osc}$ and $1.05 \times f_{osc}$, see [Figure 8](#).



8.3.3 Frequency hopping (Master mode)

Frequency hopping is a technique used to change the oscillator frequency for AM tuner compatibility. In Master mode, the resistor connected between pin OSCSET and pin AGND sets the oscillator frequency. In I²C-bus mode, this frequency can be varied by 10 % to $0.9 \times f_{osc}$ or $1.1 \times f_{osc}$ using bit IB1[D3:D4]. See [Figure 8](#).

8.3.4 Phase lock operation (Slave mode)

In Slave mode, phase lock operation can be used to reduce the jitter effects of the external oscillator signal connected to pin OSCIO. Phase lock operation is also needed to enable phase staggering, see [Section 8.4.2](#). Phase lock operation is enabled when the oscillator is in Slave mode by connecting two capacitors (C_{PLL_S} and C_{PLL_P}) and a resistor (R_{PLL}) between pin SSM and pin AGND (see [Figure 9](#)). Connecting pin SSM to pin AGND disables phase lock operation and causes the slave to use the external oscillator signal

directly. Values for C_{PLL_s} , C_{PLL_p} and R_{PLL} depend on the desired loop bandwidth (BW_{PLL}) of the PLL. R_{PLL} is given by: $R_{PLL} = 8.4 \times BW_{PLL} \Omega$. The corresponding values for C_{PLL_s} and C_{PLL_p} are given by:

$$C_{PLL_p} = \frac{0.032}{R_{PLL} \times BW_{PLL}} [F] \tag{3}$$

Remark: C_{PLL_p} is only needed when $\pi/4$ phase shift is selected. See [Section 8.4.2](#) for more detailed information.

$$C_{PLL_s} = \frac{0.8}{R_{PLL} \times BW_{PLL}} [F] \tag{4}$$

When pin OSCIO is connected to a clock-master with Spread spectrum mode enabled, the PLL loop bandwidth BW_{PLL} should be $100 \times f_{SSM}$.

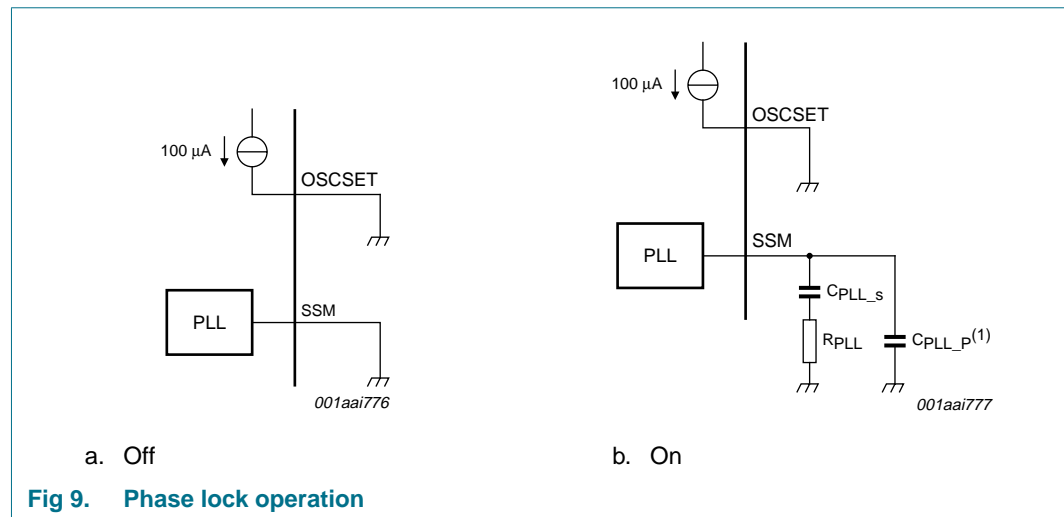


Fig 9. Phase lock operation

See [Table 7](#) for all oscillator modes.

Table 7. Oscillator modes

OSCSET pin	OSCIO pin	SSM pin	Oscillator modes
$R_{osc} > 26 \text{ k}\Omega$	output	C_{ssm}	master, spread spectrum
$R_{osc} > 26 \text{ k}\Omega$	output	shorted to AGND	master, no spread spectrum
$R_{osc} = 0 \Omega$	input	$C_{PLL} + R_{PLL}$	slave, PLL enabled
$R_{osc} = 0 \Omega$	input	shorted to AGND	slave, PLL disabled

8.4 Operation mode selection

Pin MOD is used to select specific operation modes. The resistor (R_{MOD}) connected between pins MOD and AGND determines the operation mode. The mode of operation depends on whether non-I²C-bus mode or I²C-bus mode is active. This is in turn determined by the resistor value connected between pins ADS and AGND.

In non-I²C-bus mode pin MOD is used to select:

1. AD or BD modulation type (see [Section 8.4.1](#)).
2. $\frac{1}{2} \pi$ phase shift when oscillator is used in Slave mode (see [Section 8.4.2](#)).
3. Parallel mode operation (see [Section 8.4.3](#)).

In I²C-bus mode, pin MOD can only select Parallel mode. In addition, the modulation type and phase shift are programmed using I²C-bus commands.

Table 8. Operation mode selection with the MOD pin

R _{MOD} (kΩ)	I ² C-bus mode	Non-I ² C-bus mode
0 (short to GND)	Stereo mode	AD modulation: no phase shift in Slave mode
4.7		BD modulation: no phase shift in Slave mode
13		AD modulation: $\frac{1}{2} \pi$ phase shift in Slave mode
33		BD modulation: $\frac{1}{2} \pi$ phase shift in Slave mode
100	Parallel mode	AD modulation: no phase shift in Slave mode
∞ (open)		BD modulation: no phase shift in Slave mode

The information on pin MOD is latched when one of the TDF8599 outputs starts switching to avoid incorrect information on pin MOD caused by disturbances of switching amplifier outputs.

8.4.1 Modulation mode

In non-I²C-bus mode, pin MOD is used to select either AD or BD modulation mode. In I²C-bus mode, the modulation mode is selected using an I²C-bus command.

- AD modulation mode: the bridge halves switch in opposite phase.
- BD modulation mode: the bridge halves switch in phase but the input signal for the modulators is inverted.

[Figure 10](#), [Figure 11](#) and [Figure 12](#) show simplified representations of AD and BD modulation.

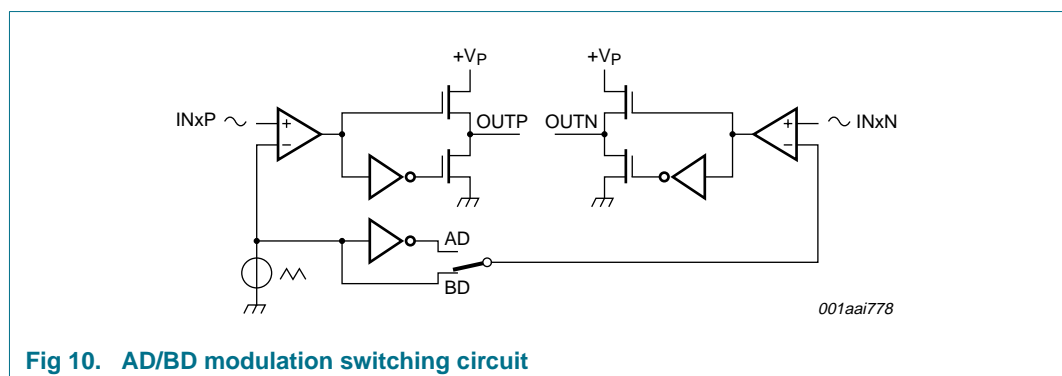
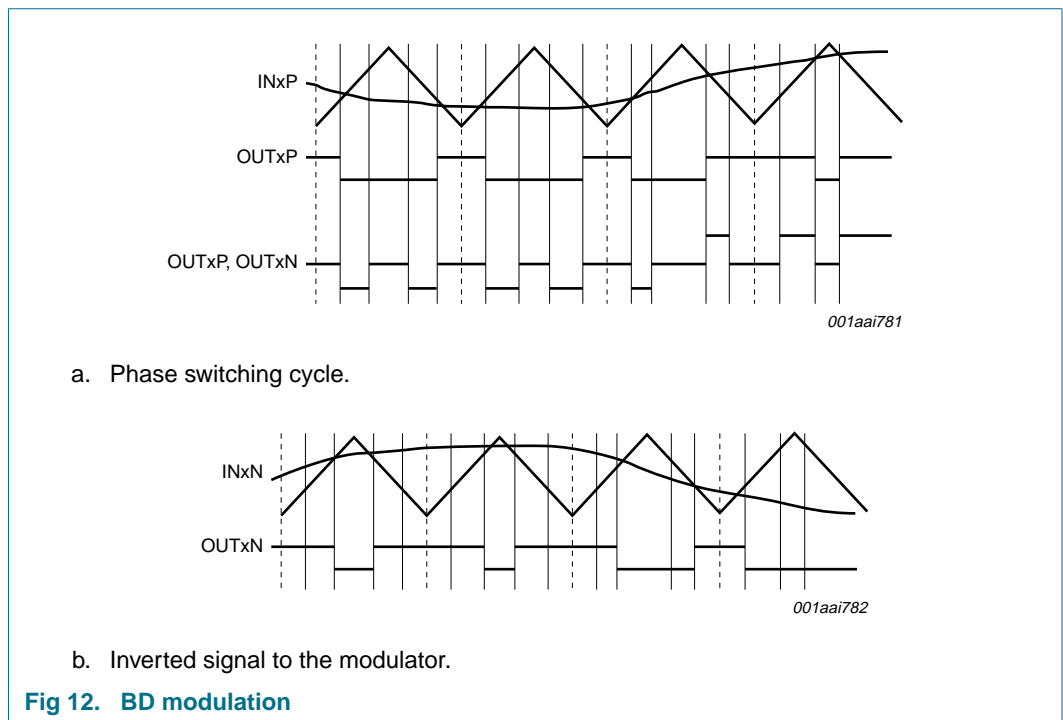
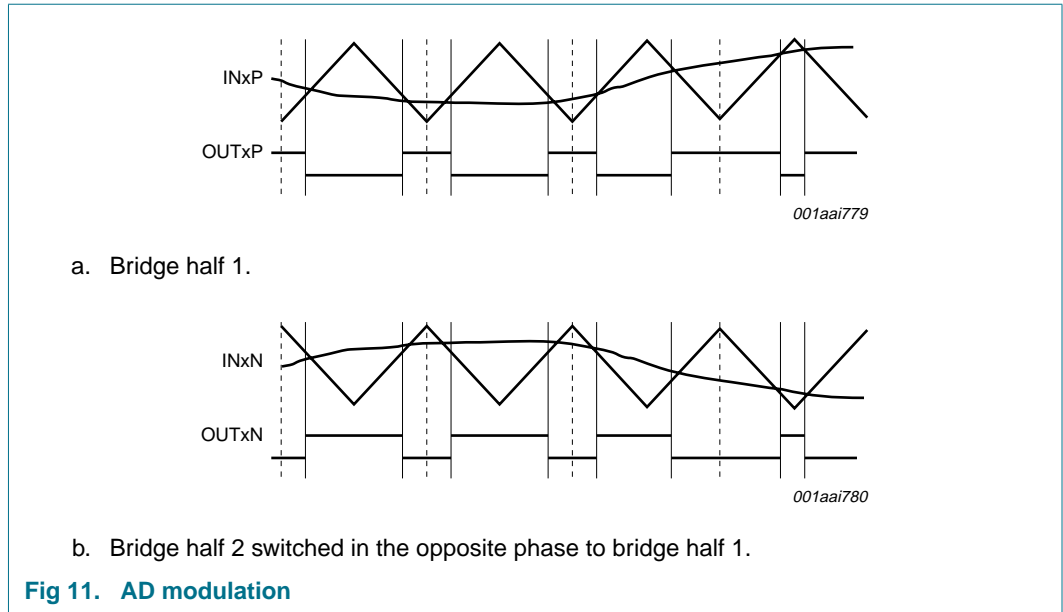


Fig 10. AD/BD modulation switching circuit



8.4.2 Phase staggering (Slave mode)

In Slave mode with phase lock operation enabled, a phase shift with respect to the incoming clock signal can be selected to distribute the switching moments over time. In non-I²C-bus mode, $\frac{1}{2} \pi$ phase shift can be programmed using pin MOD. In I²C-bus mode, five different phase shifts ($\frac{1}{4} \pi$, $\frac{1}{3} \pi$, $\frac{1}{2} \pi$, $\frac{2}{3} \pi$, $\frac{3}{4} \pi$) can be selected using the I²C-bus bits (IB3[D1:D3]). See [Figure 9](#) for selection of the phase shift in non-I²C-bus mode with pin MOD. An additional capacitor must be connected to pin SSM when $\frac{1}{4} \pi$ phase shift is used (see [Figure 9](#)). An example of using $\frac{1}{2} \pi$ phase shift for BD modulation is shown in [Figure 13](#).

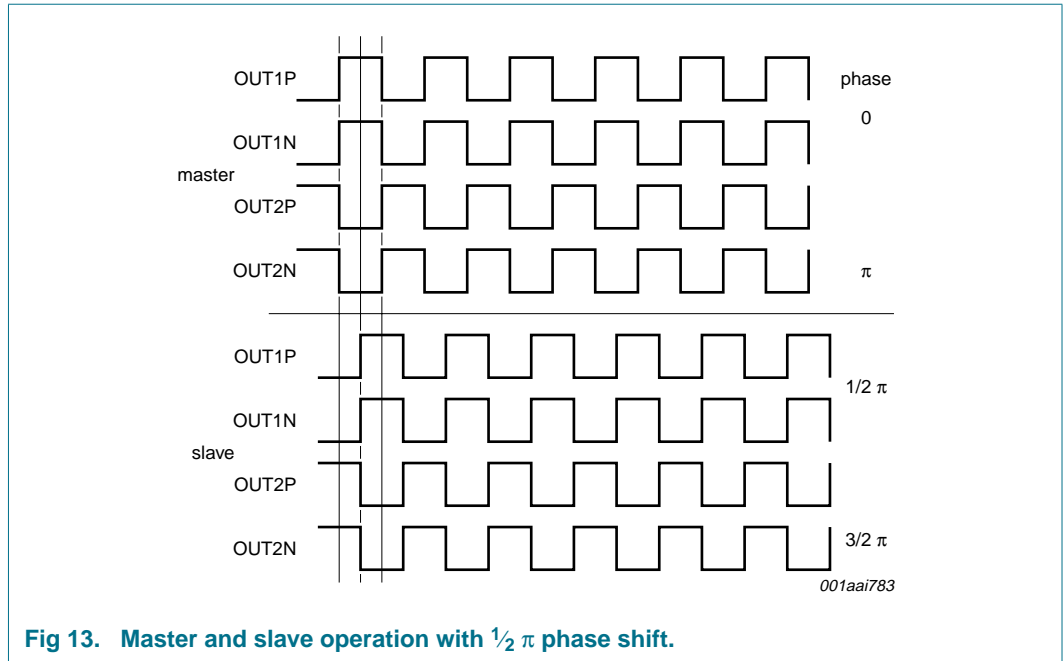


Fig 13. Master and slave operation with $\frac{1}{2} \pi$ phase shift.

8.4.3 Parallel mode

In Parallel mode; the two output stages operate in parallel to enlarge the drive capability. The inputs and outputs for Parallel mode must be connected on the Printed-Circuit Board (PCB) as shown in Figure 14. The parallel connection can be made after the output filter, as shown in Figure 14 or directly to the device output pins.

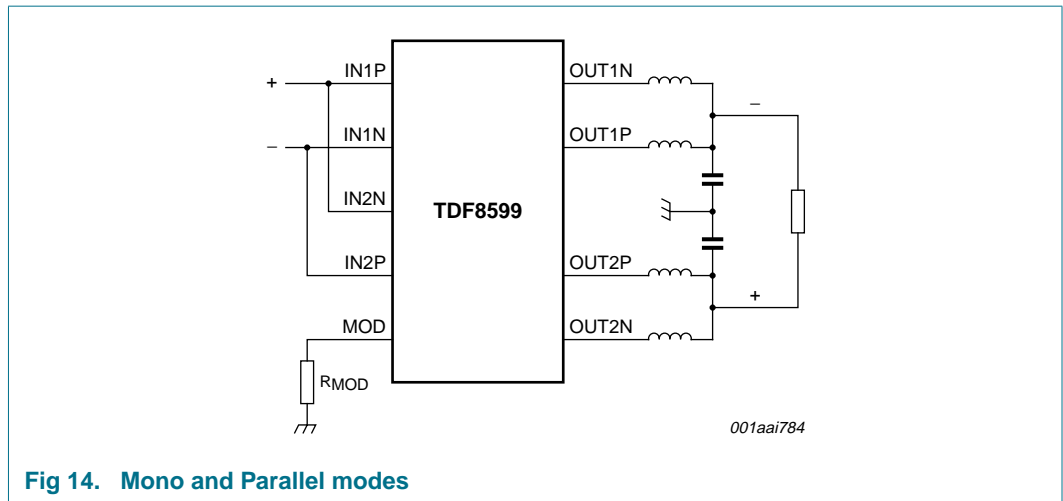


Fig 14. Mono and Parallel modes

In Parallel mode, the channel 1 I²C-bus bits can be programmed using the I²C-bus. However, clip detection must be deactivated by disabling clip detection for both channel 1 and channel 2.

8.5 Protection

The TDF8599 includes a range of built-in protection functions. How the TDF8599 handles the various possible fault conditions differs for each protection and is described in the following sections:

Table 9. Overview of protection types

Protection type	Reference
Thermal foldback	Section 8.5.1
Overtemperature	Section 8.5.2
Overcurrent	Section 8.5.3
Window	Section 8.5.4
DC Offset	Section 8.5.5
Undervoltage	Section 8.5.6
Overvoltage	Section 8.5.6

8.5.1 Thermal foldback

Thermal Foldback Protection (TFP) is activated when the junction temperature exceeds the threshold level (145 °C). TFP decreases amplifier gain such that the combination of dissipation and $R_{th(j-a)}$ create a junction temperature around the threshold level. The device will not completely switch off but remains operational at the lower output power levels. If the junction temperature continues to increase, a second built-in temperature protection threshold level shuts down the amplifier completely.

8.5.2 Overtemperature protection

If the junction temperature $T_j > 160$ °C, the OverTemperature Protection (OTP) is activated and the power stage immediately shuts down.

8.5.3 Overcurrent protection

OverCurrent Protection (OCP) is activated when the output current exceeds the maximum output current of 8 A. OCP regulates the output voltage such that the maximum output current is limited to 8 A. The amplifier outputs keep switching and the amplifier is NOT shutdown completely. This is called current limiting.

OCP also detects when the loudspeaker terminals are short circuited or one of the amplifier's demodulated outputs is short circuited to one of the supply lines. In either case, the shorted channel(s) are switched off.

The amplifier can distinguish between loudspeaker impedance drops and a low-ohmic short across the load or one of the supply lines. This impedance threshold depends on the supply voltage used. When a short is made across the load causing the impedance to drop below the threshold level, the shorted channel(s) are switched off. They try to restart every 50 ms. If the short circuit condition is still present after 50 ms, the cycle repeats. The average dissipation will be low because of this forced reduced duty cycle.

When a channel is switched off due to a short circuit on one of the supply lines, Window Protection (WP) is activated. WP ensures the amplifier does not start-up after 50 ms until the supply line short circuit is removed.

8.5.4 Window protection

Window Protection (WP) checks the PWM output voltage before switching from Standby mode to Mute mode (outputs switching) and is activated as follows:

- During the start-up sequence:
 - When the TDF8599 is switched from standby to mute ($t_{d(stb-mute)}$). When a short circuit on one of the output terminals (i.e. between V_P and GND) is detected, the start-up procedure is interrupted and the TDF8599 waits for open circuit outputs. No large currents flow in the event of a short circuit to the supply lines because the check is performed before the power stages are enabled.
- During operation:
 - A short to one of the supply lines activates OCP causing the amplifier channel to shutdown. After 50 ms the amplifier channel restarts and WP is activated. However, the corresponding amplifier channel will not start-up until the supply line short circuit has been removed.

8.5.5 DC Protection

DC Protection (DCP) is activated when the DC content in the demodulated output voltage exceeds a set threshold (typically 2 V). DCP is active in both Mute mode and Operating mode. False triggering of the DCP by low frequencies in the audio signal is prevented using the external capacitor (C_F) to generate a cut-off frequency as shown in [Figure 15](#).

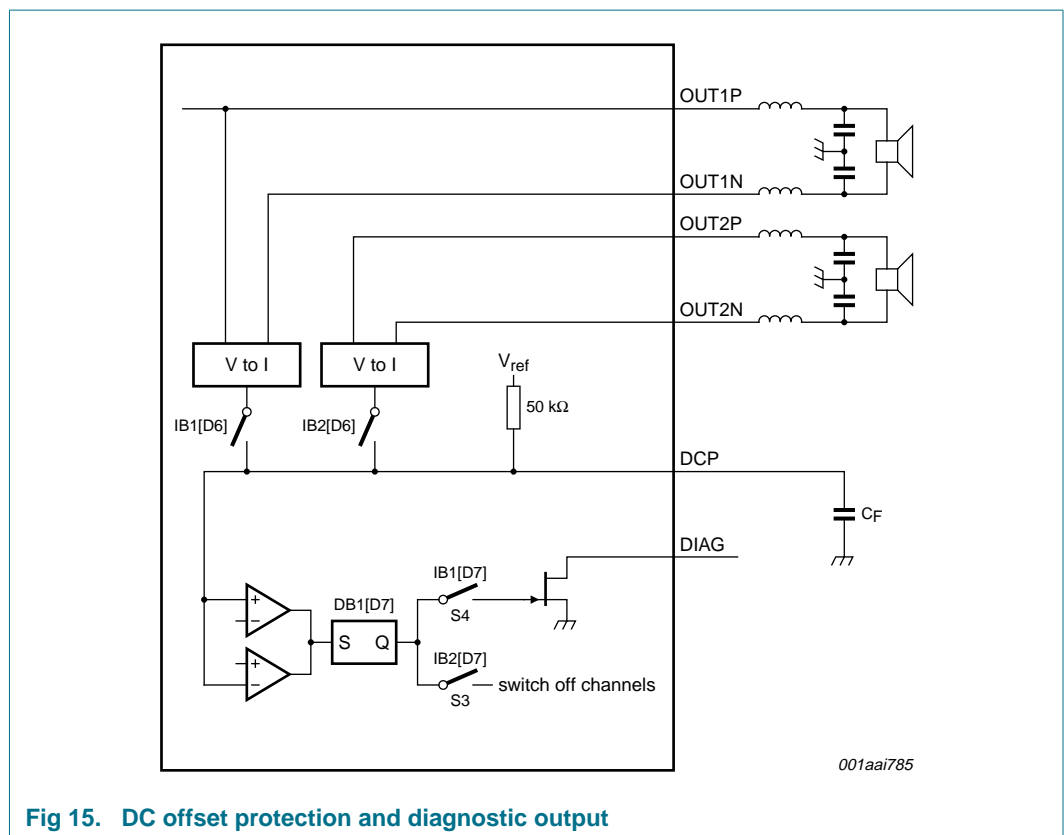


Fig 15. DC offset protection and diagnostic output

In I²C-bus mode, DC offsets generate a voltage shift around the bias voltage. When the voltage shift exceeds threshold values, the offset alarm bit DB1[D2] is set and if bit IB1[D7] is set, diagnostic information is also given. Any detected offset shuts down both channels when bit IB2[D7] is not set. To restart the TDF8599 in I²C-bus mode, pin EN must be toggled or DCP disabled by connecting pin DCP to pin GND.

In non-I²C-bus mode, when an offset is detected, DCP always gives diagnostic information on pin DIAG and shuts down both channels. Connecting pin DCP to pin GND disables DCP.

8.5.6 Supply voltages

UnderVoltage Protection (UVP) is activated when the supply voltage drops below the UVP threshold (typically 7.5 V). UVP triggers the UVP circuit causing the system to first mute and then stop switching. When the supply voltage rises above the threshold level, the system restarts.

OverVoltage Protection (OVP) is activated when the supply voltage exceeds the OVP threshold (typically 27 V). The OVP (or load dump) circuit is activated and the power stages are shutdown. An overview of all protection circuits and the amplifier states is given in [Table 10](#).

8.5.7 Overview of protection circuits and amplifier states

Table 10. Overview of TDF8599 protection circuits and amplifier states

Protection circuit name	Amplifier state		
	Complete shutdown	Channel shutdown	Restart ^[1]
TFP	N ^[2]	N ^[2]	Y ^[3]
OTP	Y	N	Y ^[3]
OCP	N	Y	Y ^[4]
WP	N	Y	Y
DCP	Y	N	N ^[5]
UVP	Y	N	Y ^[6]
OVP	Y	N	Y

[1] When fault is removed.

[2] Amplifier gain depends on the junction temperature and size of the heat sink.

[3] TFP influences restart timing depending on heat sink size.

[4] Shorted load causes a restart of the channel every 50 ms.

[5] Latched protection is reset by toggling the pin EN or by disabling DCP in I²C-bus mode.

[6] In I²C-bus mode deep supply voltage drops will cause a Power-On Reset (POR). The restart requires an I²C-bus command.

8.6 Diagnostic output

8.6.1 Diagnostic table

The diagnostic information for I²C-bus mode and non-I²C-bus mode is shown in [Table 11](#). The instruction bitmap and data bytes are described in [Table 14](#) and [Table 15](#).

Pins DIAG and CLIP have an open-drain output which must have an external pull-up resistor connected to an external voltage. Pins CLIP and DIAG can show both fixed and I²C-bus selectable information.

Pin DIAG goes LOW when a short circuit to one of the amplifier outputs occurs. The microprocessor reads the failure information using the I²C-bus. The I²C-bus bits are set for a short circuit. These bits can be reset with the I²C-bus read command.

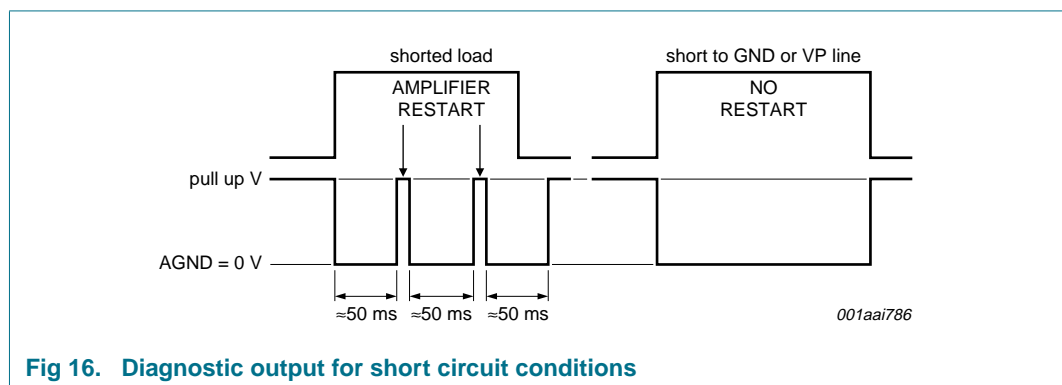
Even after the short has been removed, the microprocessor knows what was wrong after reading the I²C-bus. In principle, during a single I²C-bus read command, the old information is read. To read the current information, two read commands must be sent, one-after-another.

When selected, pin DIAG gives the current diagnostic information. Pin DIAG is released instantly when the failure is removed, independent of the I²C-bus latches.

Table 11. Available data at DIAG and CLIP pin

Diagnostic	I ² C-bus mode		Non-I ² C-bus mode	
	DIAG	CLIP	DIAG	CLIP
Power-on reset	yes	no	yes	no
UVP or OVP	yes	no	yes	no
Clip detection	no	selectable	no	yes
Temperature pre-warning	no	selectable	no	yes
OCP	yes	no	yes	no
DCP	selectable	no	yes	no
OTP	yes	no	yes	no

When OCP is triggered, the open-drain DIAG output is activated. The diagnostic output signal during different short circuit conditions is illustrated in [Figure 16](#).



8.6.2 Load identification (I²C-bus mode only)

8.6.2.1 DC load detection

DC load detection is only available in I²C-bus mode and is controlled using bit IB2[D2]. The default setting is logic 0 for bit IB2[D2] which disables DC load detection. DC load detection is enabled when bit IB2[D2] = 1. Load detection takes place before the class-D amplifier output stage starts switching in Mute mode (see Figure 17) and the start-up time from Standby mode to Mute mode is increased by $t_{det(DCload)}$

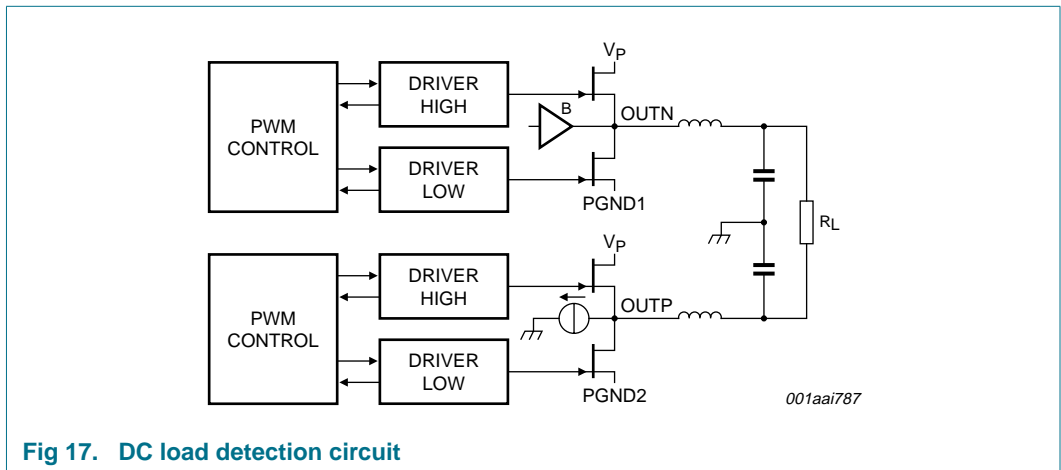


Fig 17. DC load detection circuit

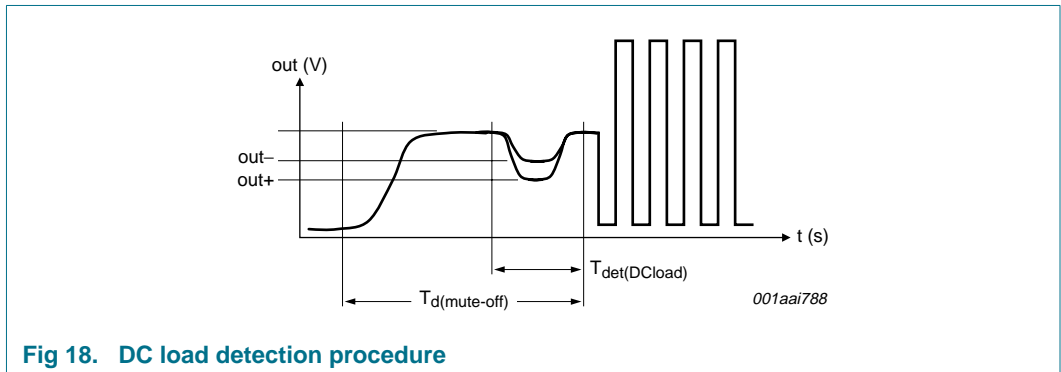


Fig 18. DC load detection procedure

The capacitor connected to pin SEL_MUTE (see Figure 4) is used to create an inaudible current test pulse, drawn from the positive amplifier output. The diagnostic ‘speaker load’ (or ‘open load’), based on the voltage difference between pins OUTxP and OUTxN is shown in Figure 19.

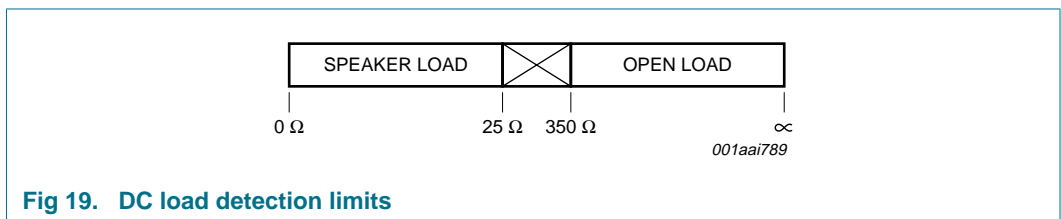


Fig 19. DC load detection limits

Remark: DC load detection identifies a short circuited speaker as a valid speaker load. OCP detection, using byte DB1[D3] for channel 1 and byte DB2[D3] for channel 2, performs diagnostics on shorted loads. However, the diagnostics are performed after the DC load detection cycle has finished and once the amplifier is in Operating mode.

The result of the DC load detection is stored in DB1[D4] and DB2[D4].

Table 12. Interpretation of DC load detection bits

DC load bits DB1[D4] and DB2[D4]	OCP bits DB1[D3] and DB2[D3]	Meaning
0	0	speaker load
0	1	shorted load
1	0	open load

Remark: After DC load detection has been performed, the DC load valid bit DB1[D6] must be set. The DC load data bits are only valid when bit DB1[D6] = 1. When DC load detection is interrupted by a sudden large change in supply voltage (triggered by UVP or OVP) or if the amplifier hangs up, the DC load valid bit is reset to DB1[D6] = 0. The DC load enable bit DB2[D2] must be reset after the DC load protection cycle to release any amplifier hang-up. Once the DC load detection cycle has finished, DC load detection can be restarted by toggling the DC load detection enable bit IB2[D2]. However, this can only be used if both amplifier channels have not been enabled with bit IB1[D1] or bit IB2[D1]. See [Section 8.6.2.2 “Recommended start-up sequence with DC load detection enabled”](#) for detailed information.

8.6.2.2 Recommended start-up sequence with DC load detection enabled

The flow diagram ([Figure 20](#)) illustrates the TDF8599’s ability to perform a DC load detection without starting the amplifiers. After a DC load detection cycle finishes without setting the DC load valid bit DB1[D6], DC load detection is repeated (when bit IB2[D2] is toggled).

To limit the maximum number of DC load detection cycle loops, a counter and limit have been added. The loop exits after the predefined number of cycles (COUNTMAX), if the DC load detection cycle finishes with an invalid detection.

Depending on the application needs the invalid DC load detection cycle can be handled as follows:

- the amplifier can be started without DC load detection
- the DC load detection loop can be executed again

A valid DC load detection cycle does not affect the normal amplifier start-up timing.

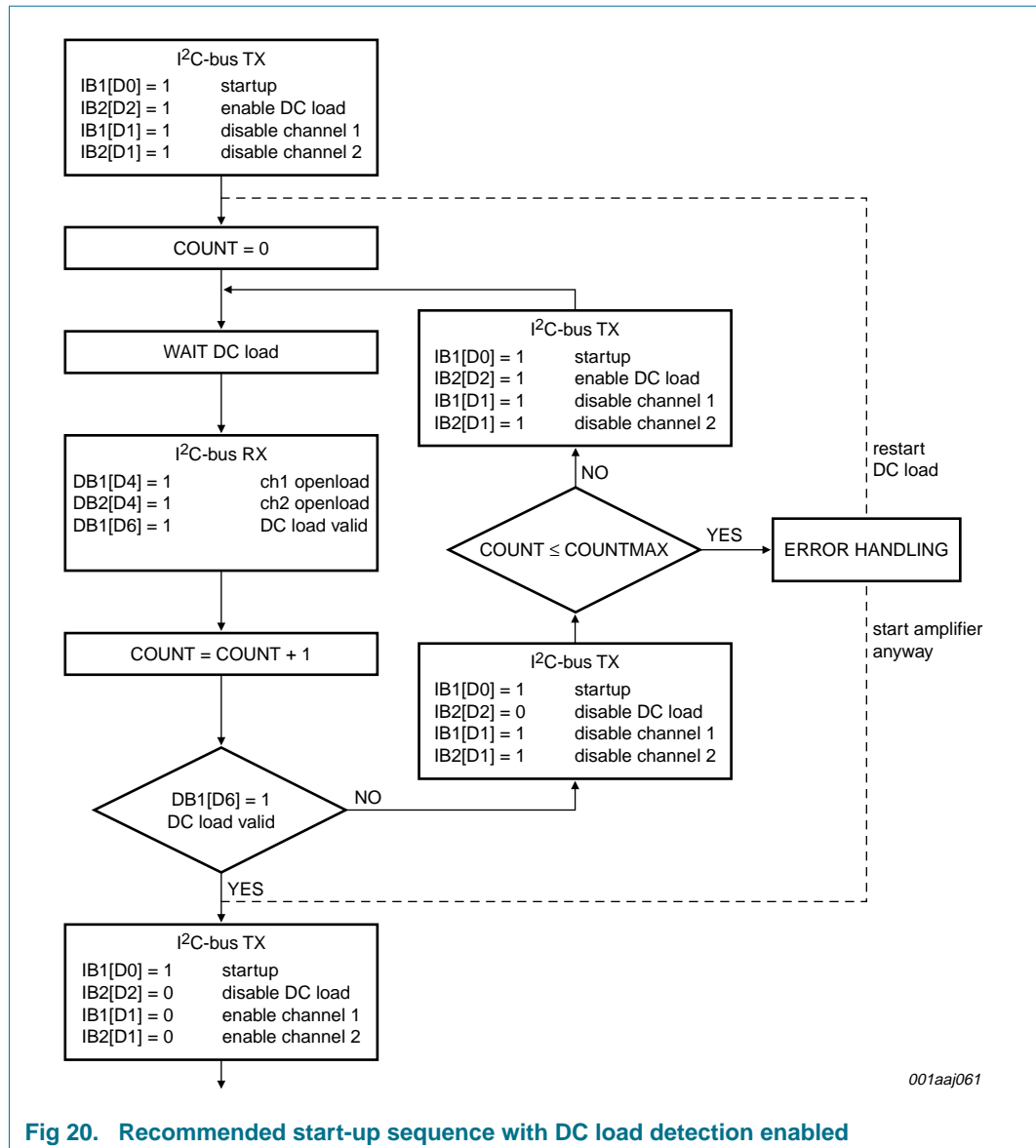


Fig 20. Recommended start-up sequence with DC load detection enabled

8.6.2.3 AC load detection

AC load detection is only available in I²C-bus mode and is controlled using bit IB3[D4]. The default setting for bit IB3[D4] = 0 which disables AC load detection. When AC load detection is enabled (bit IB3[D4] = 1), the amplifier load current is measured and compared with a reference level. Pin CLIP is activated when this threshold is reached. Using this information, AC load detection can be performed using a predetermined input signal frequency and level. The frequency and signal level should be chosen so that the load current exceeds the programmed current threshold when the AC coupled load (tweeter) is present.

8.6.2.4 CLIP detection

CLIP detection gives instantaneous information for clip levels ≥ 1 %. Pin CLIP is used as the output for the clip detection circuitry on both channel 1 and channel 2. Setting either bit IB1[D5] or bit IB2[D5] defines which channel reports clip information on the CLIP pin.

In Parallel mode, disabling clip detection on both channels requires both bits to be set to bit IB1[D5] = 1 and bit IB2[D5] = 1.

8.6.3 Start-up and shutdown sequence

To prevent the switch on or switch off 'pop noise', a capacitor (C_{SVR}) connected to pin SVR is used to smooth start-up and shutdown. During start-up and shutdown, the output voltage tracks the voltage on pin SVR. Increasing C_{SVR} results in a longer start-up and shutdown time. Enhanced pop performance is achieved by muting the amplifier until the SVR voltage reaches its final value and the outputs start switching. The capacitor on the pin SEL_MUTE (C_{ON}) determines the unmute and mute timing. The voltage on pin SEL_MUTE determines the amplifier gain. Increasing C_{ON} increases the unmute and mute times. In addition, a larger C_{ON} value increases the DC load detection cycle.

When the amplifier is switched off with an I²C-bus command or by pulling pin EN low, the amplifier is first muted and then capacitor (C_{SVR}) is discharged.

In Slave mode, the device enters the off state immediately after capacitor (C_{SVR}) is discharged. In Master mode, the clock is kept active by an additional delay ($t_d^{(2)}$) of approximately 50 ms to allow slave devices to enter off state.

When an external clock is connected to pin OSCIO (in Slave mode), the clock remains active during the shutdown sequence ($t_d^{(1)}$) to ensure that the slaved TDF8599 devices are able to enter the off state.

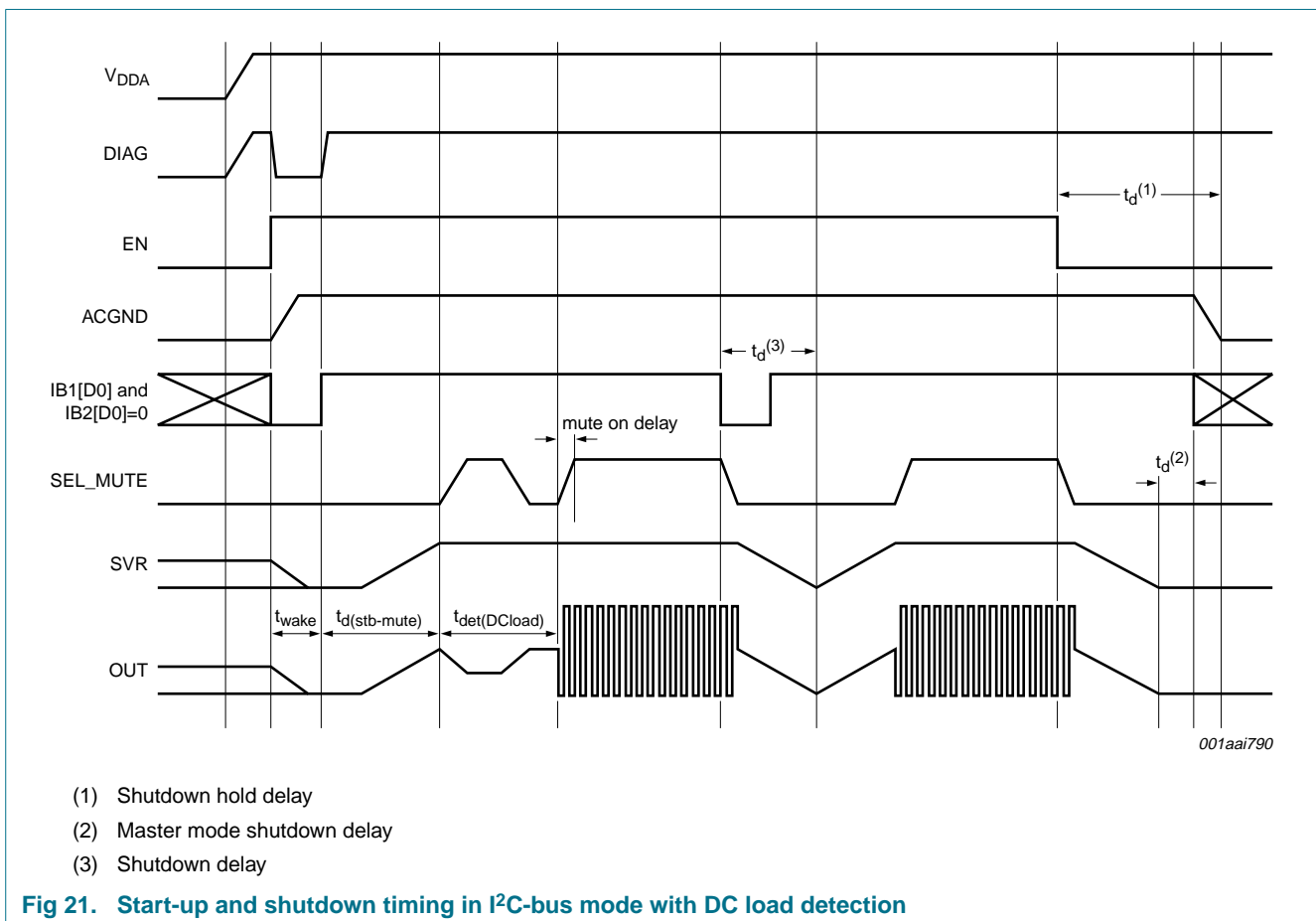


Fig 21. Start-up and shutdown timing in I²C-bus mode with DC load detection

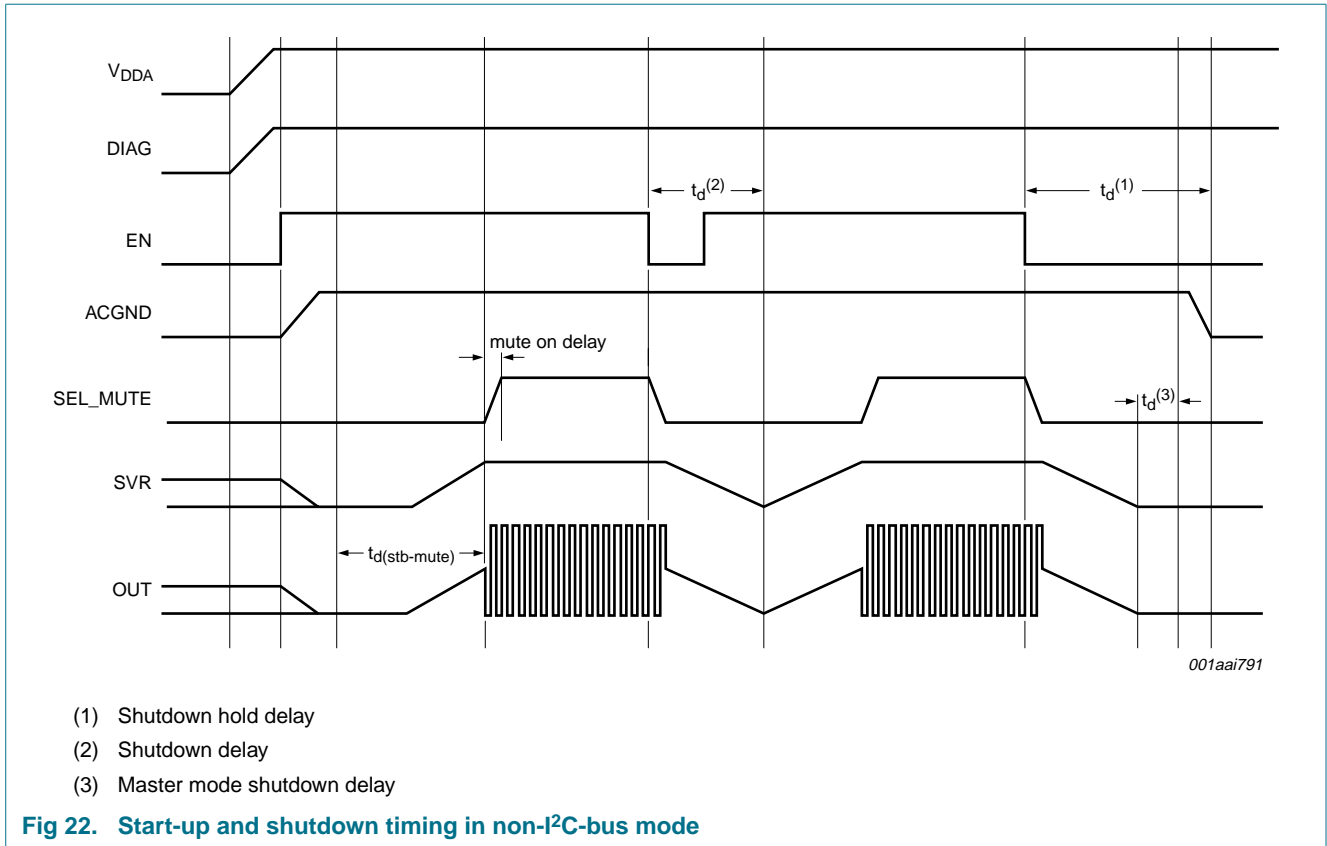


Fig 22. Start-up and shutdown timing in non-I²C-bus mode

9. I²C-bus specification

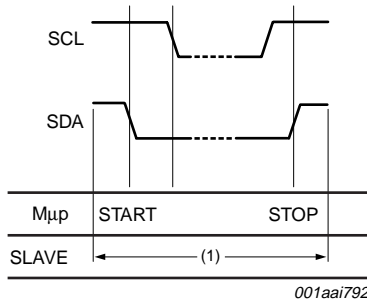
TDF8599 address with hardware address select.

Table 13. TDF8599 address using an external resistor

ADS ^[1]	A6	A5	A4	A3	A2	A1	A0	R/W
Open	0	1	0	1	1	0	0	0 = Write to TDF8599
100 kΩ to ground	0	1	0	1	0	1	1	1 = Read from TDF8599
33 kΩ to ground	0	1	0	1	0	1	0	
13 kΩ to ground	0	1	0	1	0	0	1	
4.7 kΩ to ground	0	1	0	1	0	0	0	
Ground	Non-I ² C-bus mode select							

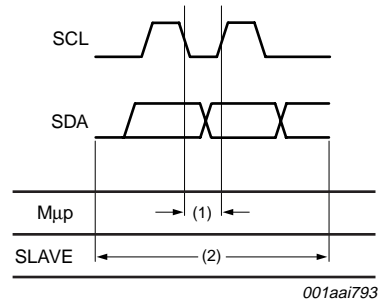
[1] Required external resistor accuracy is 1 %.

The information on pin ADS is latched when the amplifier starts switching.



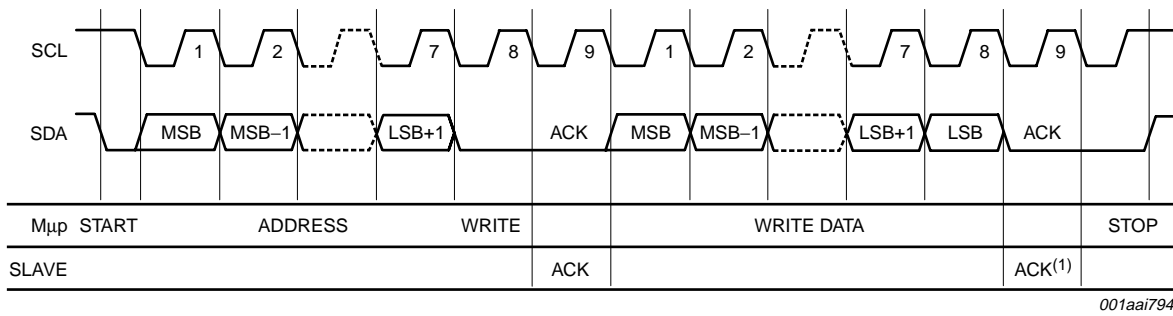
- (1) When SDA is HIGH, SDA changes to form the start or stop condition.

Fig 23. I²C-bus start and stop conditions



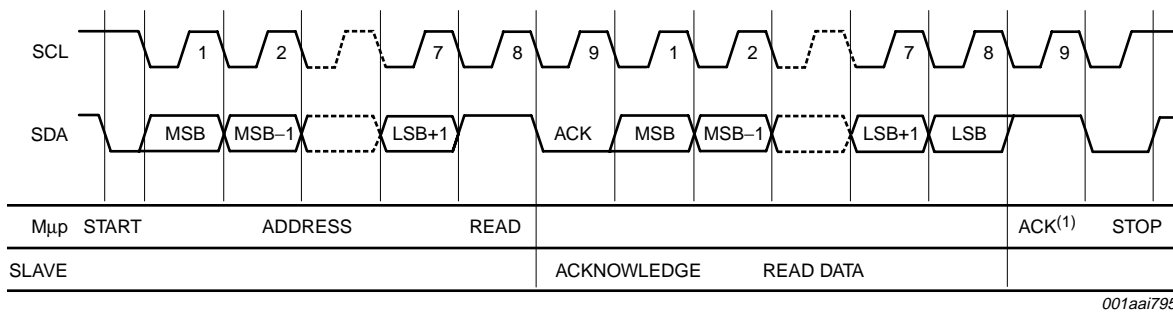
- (1) SDA is allowed to change.
- (2) All data bits must be valid on the positive edges of the SCL.

Fig 24. Data bits sent from Master microprocessor (Mµp)



- (1) To stop the transfer after the last acknowledge a stop condition must be generated.

Fig 25. I²C-bus write



- (1) To stop the transfer, the last byte must not be acknowledged (SDA is HIGH) and a stop condition must be generated.

Fig 26. I²C-bus read

9.1 Instruction bytes

If R/W bit = 0, the TDF8599 expects three instruction bytes: IB1, IB2 and IB3. After a power-on reset, all instruction bits are set to zero.

Table 14. Instruction byte descriptions

Bit	Value	Description		
		Instruction byte IB1	Instruction byte IB2	Instruction byte IB3
D7	0	offset detection on DIAG	offset protection on	
	1	no offset detection on DIAG	offset protection off	
D6	0	channel 1 offset monitoring on	channel 2 offset monitoring on	
	1	channel 1 offset monitoring off	channel 2 offset monitoring off	
D5	0	channel 1 clip detect on CLIP	channel 2 clip detect on CLIP	
	1	channel 1 no clip detect on CLIP	channel 2 no clip detect on CLIP	
D4	0	disable frequency hopping	thermal pre-warning on CLIP	disable AC load detection
	1	enable frequency hopping ^[1]	no thermal pre warning on CLIP	enable AC load detection
D3	0	oscillator frequency as set with $R_{osc} - 10\%$	temperature pre-warning on 140 °C	^[2]
	1	oscillator frequency as set with $R_{osc} + 10\%$	temperature pre-warning on 120 °C	
D2	0		DC-load detection disabled	^[2]
	1		DC-load detection enabled	
D1	0	channel 1 enabled	channel 2 enabled	^[2]
	1	channel 1 disabled	channel 2 disabled	
D0	0	TDF8599 in standby	all channels operating	AD modulation
	1	TDF8599 in mute or operating ^[3]	all channels muted	BD modulation

[1] See [Section 8.3.3 on page 10](#) for information on IB1[D3].

[2] See [Table 15 "Frequency bit settings"](#) for information.

[3] See [Table 4](#), [Table 5](#) and [Table 16](#) for information on IB2[D0].

Table 15. Frequency bit settings

D3	D2	D1	Phase
0	0	0	0
0	0	1	$\frac{1}{4} \pi$
0	1	0	$\frac{1}{3} \pi$
0	1	1	$\frac{1}{2} \pi$
1	0	0	$\frac{2}{3} \pi$
1	0	1	$\frac{3}{4} \pi$

9.2 Data bytes

If R/W = 1, the TDF8599 sends two data bytes to the microprocessor (DB1 and DB2). All short diagnostic and offset protection bits are latched. In addition, all bits are reset after a read operation except the DC load detection bits (DBx[D4], DB1[D6]). The default setting for all bits is logic 0.

In Parallel mode, the diagnostic information is stored in byte DB1.

Table 16. Description of data bytes

Bit	Value	DB1 channel 1	DB2 channel 2
D7	0	at least 1 instruction bit set to logic 1	below maximum temperature
	1	all instruction bits are set to logic 0	maximum temperature protection activated
D6	0	invalid DC load data	no temperature warning
	1	valid DC load data	temperature pre-warning active
D5	0	no overvoltage	no undervoltage
	1	overvoltage protection active	undervoltage protection active
D4	0	speaker load channel 1	speaker load channel 2
	1	open load channel 1	open load channel
D3	0	no shorted load	no shorted load
	1	shorted load channel 1	shorted load channel 2
D2	0	no offset	reserved
	1	offset detected	reserved
D1	0	no short to V _p channel 1	no short to V _p channel 2
	1	short to V _p channel 1	short to V _p channel 2
D0	0	no short to ground channel 1	no short to ground channel 2
	1	short to ground channel 1	short to ground channel 2

Data byte DB1[D7] indicates whether the instruction bits have been set to logic 0. In principle, DB1[D7] is set after a POR or when all the instruction bits are programmed to logic 0. Pin DIAG is activated when bit IB1[D7] = 1.

10. Limiting values

Table 17. Limiting values

In accordance with the Absolute Maximum Rating System (IEC 60134).

Symbol	Parameter	Conditions	Min	Max	Unit
V _P	supply voltage	Operating mode	-	18	V
		off state	[1] -1	50	V
		load dump; duration 50 ms, t _r > 2.5 ms	-	50	V
I _{ORM}	repetitive peak output current	maximum output current limiting	[2] 8	-	A
I _{OM}	peak output current	maximum; non-repetitive	[2] -	12	A
V _i	input voltage	pins SCL, SDA, ADS, MOD, SSM, OSCIO, EN and SEL_MUTE	0	5.5	V
V _o	output voltage	pins DIAG and CLIP	0	10	V
T _j	junction temperature		-	150	°C
T _{stg}	storage temperature		-55	+150	°C
T _{amb}	ambient temperature		-40	+85	°C
V _{ESD}	electrostatic discharge voltage	HBM	[3]		
		C = 100 pF; R _s = 1500 Ω	-	2000	V
		CDM	[4]		
		non-corner pins	-	500	V
	corner pins	-	750	V	
V _(prot)	protection voltage	AC and DC short circuit voltage of output pins across load and to supply and ground	[5] 0	V _p	V
P _{max}	maximum power dissipation	T _{case} = 70 °C	-	15	W

[1] Floating condition assumed for outputs.

[2] Current limiting concept.

[3] Human Body Model (HBM).

[4] Charged-Device Model (CDM).

[5] The output pins are defined as the output pins of the filter connected between the TDF8599 output pins and the load.

11. Thermal characteristics

Table 18. Thermal characteristics

Symbol	Parameter	Conditions	Typ	Unit
R _{th(j-a)}	thermal resistance from junction to ambient	in free air	35	K/W
R _{th(j-c)}	thermal resistance from junction to case		1	K/W

12. Static characteristics

Table 19. Static characteristics
 $V_P = 14.4\text{ V}$; $f_{OSC} = 320\text{ kHz}$; $-40\text{ }^\circ\text{C} < T_{amb} < +85\text{ }^\circ\text{C}$; unless otherwise specified.

Symbol	Parameter	Conditions	Min	Typ	Max	Unit	
Supply							
V_P	supply voltage		8	14.4	18	V	
I_P	supply current	off state; $T_j \leq 85\text{ }^\circ\text{C}$; $V_P = 14.4\text{ V}$	-	2	10	μA	
I_{stb}	standby current	voltage on pin EN < 0.8 V	-	-	10	μA	
$I_{q(tot)}$	total quiescent current	Operating mode; no load, snubbers and filter connected	-	90	120	mA	
Series resistance output switches							
R_{DSon}	drain-source on-state resistance	power switch;					
		$T_j = 25\text{ }^\circ\text{C}$	-	130	-	m Ω	
		$T_j = 100\text{ }^\circ\text{C}$	-	170	-	m Ω	
I²C-bus interface: pins SCL and SDA							
V_{IL}	LOW-level input voltage		0	-	1.5	V	
V_{IH}	HIGH-level input voltage		2.3	-	5.5	V	
V_{OL}	LOW-level output voltage	pin SDA; $I_{load} = 5\text{ mA}$	0	-	0.4	V	
Address, phase shift and modulation mode select: pins ADS and MOD							
V_i	input voltage	pins not connected	[1]	1.5	2	2.7	V
I_i	input current	pins shorted to GND	[1]	80	120	160	μA
Enable and SEL_MUTE input: pins EN and SEL_MUTE							
V_i	input voltage	pin EN; off state	0	-	0.8	V	
		pin EN; Standby mode; I ² C-bus mode	2	-	5	V	
		pin EN; Mute mode or Operating mode; non-I ² C-bus mode	2	-	5	V	
		pin SEL_MUTE; Mute mode; voltage on pin EN > 2 V	0	-	0.8	V	
		pin SEL_MUTE; Operating mode; voltage on pin EN > 2 V	3	-	5	V	
I_i	input current	pin EN; 2.5 V	-	-	5	μA	
		pin SEL_MUTE; Operating mode; 0.8 V	-	-	50	μA	
Diagnostic output							
THD_{clip}	total harmonic distortion clip detection level		-	0.2	-	%	
$V_{th(offset)}$	threshold voltage for offset detection		[2]	1	2	3	V
V_{OL}	LOW-level output voltage	DIAG or CLIP pins activated; $I_o = 1\text{ mA}$	-	-	0.3	V	
I_L	leakage current	DIAG and CLIP pins; diagnostic not activated	-	-	50	μA	
Audio inputs; pins IN1N, IN1P, IN2N and IN2P							
V_i	input voltage		-	2.45	-	V	

Table 19. Static characteristics ...continued $V_p = 14.4\text{ V}$; $f_{osc} = 320\text{ kHz}$; $-40\text{ }^\circ\text{C} < T_{amb} < +85\text{ }^\circ\text{C}$; unless otherwise specified.

Symbol	Parameter	Conditions	Min	Typ	Max	Unit
SVRR voltage and ACGND input bias voltage in Mute and Operating modes						
V_{ref}	reference voltage	input ACGND pin	2	2.45	3	V
		half supply reference SVRR pin	6.9	7.2	7.5	V
Amplifier outputs; pins OUT1N, OUT1P, OUT2N and OUT2P						
$V_{O(\text{offset})}$	output offset voltage	BTL; Mute mode	-	-	25	mV
		BTL; Operating mode	[3][5]	-	70	mV
Stabilizer output; pins VSTAB1 and VSTAB2						
V_o	output voltage	stabilizer output in Mute mode and Operating mode	8	10	12	V
Voltage protections						
$V_{(\text{prot})}$	protection voltage	undervoltage; amplifier is muted	6.8	7.2	8	V
		overvoltage; load dump protection is activated	26.2	27	-	V
		V_p that a POR occurs at	3	3.7	4.4	V
Current protection						
$I_{O(\text{ocp})}$	overcurrent protection output current	current limit	8	-	-	A
Temperature protection						
T_{prot}	protection temperature		155	-	160	$^\circ\text{C}$
$T_{\text{act}(\text{th_fold})}$	thermal foldback activation temperature	gain = -1 dB	140	-	150	$^\circ\text{C}$
$T_{j(\text{AV})(\text{warn1})}$	average junction temperature for pre-warning 1	IB2[D3] = 0; non-I ² C-bus mode	-	140	150	$^\circ\text{C}$
$T_{j(\text{AV})(\text{warn2})}$	average junction temperature for pre-warning 2	IB2[D3] = 1	-	120	130	$^\circ\text{C}$
DC load detection levels: I²C-bus mode only [6]						
$Z_{\text{th}(\text{load})}$	load detection threshold impedance	for normal speaker; DB1[D4] = 0; DB2[D4] = 0	-	-	25	Ω
$Z_{\text{th}(\text{open})}$	open load detection threshold impedance	DB1[D4] = 1; DB2[D4] = 1	350	-	-	Ω
AC load detection levels: I²C-bus mode only						
$I_{\text{th}(\text{o})\text{det}(\text{load})\text{AC}}$	AC load detection output threshold current		700	900	1100	mA
Start-up/shut-down/mute timing						
t_{wake}	wake-up time	on pin EN before first I ² C-bus transmission is recognized	[4]	-	500	μs
$t_{\text{det}(\text{DCload})}$	DC load detection time	$C_{ON} = 470\text{ nF}$	[4]	-	250	ms
$t_{\text{d}(\text{stb-mute})}$	delay time from standby to mute	measured from amplifier enabling to start of mute release (no DC load detection); $C_{SVR} = 47\text{ }\mu\text{F}$ $C_{ON} = 470\text{ nF}$	-	140	-	ms
$t_{\text{d}(\text{mute-fgain})}$	mute to full gain delay time	$C_{ON} = 470\text{ nF}$	[5]	-	15	ms

Table 19. Static characteristics ...continued

$V_p = 14.4\text{ V}$; $f_{osc} = 320\text{ kHz}$; $-40\text{ }^\circ\text{C} < T_{amb} < +85\text{ }^\circ\text{C}$; unless otherwise specified.

Symbol	Parameter	Conditions	Min	Typ	Max	Unit
t_d	delay time	shutdown delay time from EN pin low to SVRR low; SVRR < 0.1 V; $C_{SVR} = 47\text{ }\mu\text{F}$	145	260	425	ms
		shutdown delay time from pin EN low to ACGND low; voltage on pin ACGND < 0.1 V; Master mode	-	400	-	ms
		delay in Master mode to allow slaved devices to shutdown $f_{osc} = 320\text{ kHz}$	-	50	-	ms
Speaker load impedance						
R_L	load resistance	stereo mode	1.6	4	-	Ω
		parallel mode	0.8	-	-	Ω

- [1] Required resistor accuracy for pins ADS and MOD is 1 %; see [Section 9 on page 23](#).
- [2] Maximum leakage current from DCP pin to ground = 3 μA .
- [3] DC output offset voltage is applied to the output during the transition between Mute mode and Operating mode in a gradual way.
- [4] I²C-bus mode only.
- [5] The transition time between Mute mode and Operating mode is determined by the time constant on the SEL_MUTE pin.
- [6] The DC load valid bit DB1[D6] must be used; [Section 8.6.2.1 on page 19](#). The DC load enable bit IB2[D2] must be reset after each load detection cycle to prevent amplifier hang-up incidents.

12.1 Switching characteristics

Table 20. Switching characteristics

$V_P = 14.4\text{ V}$; $-40\text{ }^\circ\text{C} < T_{amb} < +85\text{ }^\circ\text{C}$; unless otherwise specified.

Symbol	Parameter	Conditions	Min	Typ	Max	Unit
Internal oscillator						
f_{osc}	oscillator frequency	external clock frequency; $R_{osc} = 39\text{ k}\Omega$	-	320	-	kHz
		internal fixed frequency and Spread spectrum mode frequency	300	-	500	kHz
Master/slave setting (OSCIO pin)						
R_{osc}	oscillator resistance	resistor value on pin OSCSET; master setting	26	39	49	k Ω
V_{OL}	LOW-level output voltage	output	-	-	0.8	V
V_{OH}	HIGH-level output voltage	output	4	-	-	V
V_{IL}	LOW-level input voltage	input	-	-	0.8	V
V_{IH}	HIGH-level input voltage	input	4	-	-	V
f_{track}	tracking frequency	PLL enabled	300	-	500	kHz
N_{slave}	number of slaves	driven by one master	-	-	12	
Spread spectrum mode setting						
Δf_{osc}	oscillator frequency variation	between maximum and minimum values; Spread spectrum mode activated	-	10	-	%
f_{sw}	switching frequency	Spread spectrum mode activated; $C_{SSM} = 1\text{ }\mu\text{F}$	-	7	-	Hz
Frequency hopping						
$f_{osc(int)}$	internal oscillator frequency	change positive; IB1[D4] = 1; IB1[D3] = 0	-	$f_{osc} + 10\%$	-	kHz
		change negative; IB1[D4] = 1; IB1[D3] = 1	-	$f_{osc} - 10\%$	-	kHz
Timing						
t_r	rise time	PWM output; $I_o = 0$	-	10	-	ns
t_f	fall time	PWM output; $I_o = 0$	-	80	-	ns
$t_{w(min)}$	minimum pulse width	$I_o = 0$	-	80	-	ns

13. Dynamic characteristics

Table 21. Dynamic characteristics

$V_p = 14.4\text{ V}$; $R_L = 4\ \Omega$; $f_i = 1\text{ kHz}$; $f_{osc} = 320\text{ kHz}$; $R_{sL} < 0.04\ \Omega$ [1]; $-40\text{ }^\circ\text{C} < T_{amb} < +85\text{ }^\circ\text{C}$; Stereo mode; unless otherwise specified.

Symbol	Parameter	Conditions	Min	Typ	Max	Unit
P_o	output power	Stereo mode;				
		THD = 1 %; $R_L = 4\ \Omega$	[2] 18	20	-	W
		THD = 10 %; $R_L = 4\ \Omega$	24	26	-	W
		square wave (EIAJ); $R_L = 4\ \Omega$	-	40	-	W
		THD = 1 %; $R_L = 2\ \Omega$	29	32	-	W
		THD = 10 %; $R_L = 2\ \Omega$	39	43	-	W
		square wave (EIAJ); $R_L = 2\ \Omega$	-	70	-	W
		Parallel mode				
	THD = 10 %; $R_L = 1\ \Omega$	[2] -	85	-	W	
THD	total harmonic distortion	$f_i = 1\text{ kHz}$; $P_o = 1\text{ W}$	[3] -	0.02	0.1	%
		$f_i = 10\text{ kHz}$; $P_o = 1\text{ W}$	[3] -	0.02	0.1	%
$G_{v(cl)}$	closed-loop voltage gain		25	26	27	dB
α_{cs}	channel separation	$f_i = 1\text{ kHz}$; $P_o = 1\text{ W}$	-	70	-	dB
SVRR	supply voltage rejection ratio	Operating mode				
		$f_{ripple} = 100\text{ Hz}$	[4] -	70	-	dB
		$f_{ripple} = 1\text{ kHz}$	[4] -	70	-	dB
		Mute mode				
		$f_{ripple} = 1\text{ kHz}$	[4] -	70	-	dB
		off state and Standby mode				
	$f_{ripple} = 1\text{ kHz}$	[4] -	90	-	dB	
$ Z_{i(dif)} $	differential input impedance		60	100	150	k Ω
$V_{n(o)}$	output noise voltage	Operating mode				
		BD mode	[5] -	60	77	μV
		AD mode	[5] -	100	140	μV
		Mute mode				
		BD mode	[6] -	25	32	μV
		AD mode	[6] -	85	110	μV
$\alpha_{bal(ch)}$	channel balance		-	0	1	dB
α_{mute}	mute attenuation		[7] 66	-	-	dB
CMRR	common mode rejection ratio	$V_{i(CM)} = 1\text{ V RMS}$	65	80	-	dB
η_{po}	output power efficiency	$P_o = 20\text{ W}$	-	90	-	%

[1] $R_{s(L)}$ is the sum of the inductor series resistance from the low-pass LC filter in the application together with all resistance from PCB traces or wiring between the output pin of the TDF8599 and the inductor to the measurement point. LC filter dimensioning is $L = 10\ \mu\text{H}$, $C = 1\ \mu\text{F}$ is used and for $2\ \Omega$ load $L = 5\ \mu\text{H}$, $C = 2.2\ \mu\text{F}$ for $4\ \Omega$ load.

[2] Output power is measured indirectly based on R_{DSon} measurement.

[3] Total harmonic distortion is measured at the bandwidth of 22 Hz to 20 kHz, AES brick wall. The maximum limit is guaranteed but may not be 100 % tested.

[4] $V_{ripple} = V_{ripple(max)} = 1\text{ V RMS}$; $R_s = 0\ \Omega$.

- [5] B = 22 Hz to 20 kHz, AES brick wall, $R_S = 0 \Omega$.
 [6] B = 22 Hz to 20 kHz, AES brick wall, independent of R_S .
 [7] $V_i = V_{i(max)} = 0.5 \text{ V RMS}$.

14. Application information

14.1 Output power estimation (Stereo mode)

The output power, just before clipping, can be estimated using the following equations:

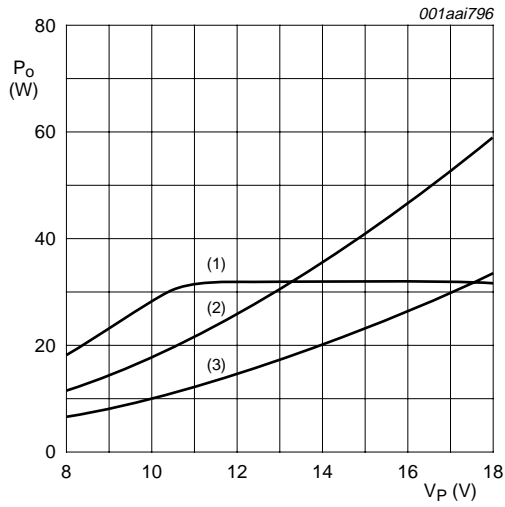
$$P_o = \frac{\left(\left(\frac{R_L}{R_L + 2 \times (R_{DSon} + R_S)} \right) \times \left(1 - t_{W(min)} \times \frac{f_{osc}}{2} \right) \times V_p \right)^2}{2 \times R_L} \quad (5)$$

Where,

- $P_o = 0.5 \%$
- $V_p =$ supply voltage (V)
- $R_L =$ load impedance (Ω)
- $R_{DSon} =$ on-resistance power switch (Ω)
- $R_S =$ series resistance output inductor (Ω)
- $t_{W(min)} =$ minimum pulse width(s) depending on output current
- $f_{osc} =$ oscillator frequency in Hz (typically 320 kHz)

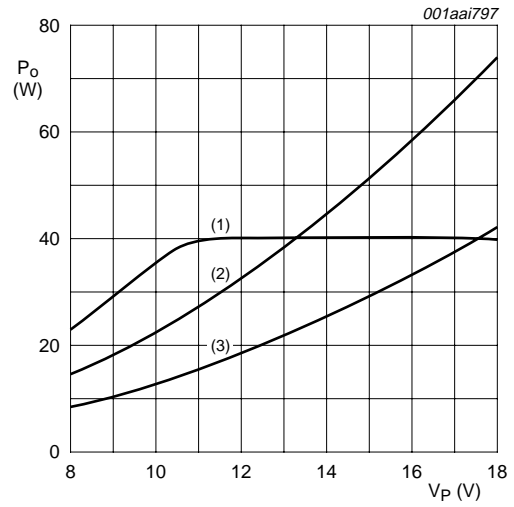
The output power at 10 % THD can be estimated by: $P_{o(2)} = 1.25 \times P_{o(1)}$ Where $P_{o(1)} = 0.5 \%$ and $P_{o(2)} = 10 \%$.

[Figure 27](#) and [Figure 28](#) show the estimated output power at THD = 0.5 % and THD = 10 % as a function of supply voltage for different load impedances at stereo mode.



- THD = 0.5 %.
- (1) $R_{DSon} = 0.12 \Omega$ (at $T_j = 25 \text{ }^\circ\text{C}$), $R_S = 0.025 \Omega$, $t_{W(min)} = 130 \text{ ns}$ and $I_{O(ocp)} = 8 \text{ A}$ (minimum).
 - (2) $R_L = 1 \Omega$.
 - (3) $R_L = 2 \Omega$.
 - (4) $R_L = 4 \Omega$.

Fig 27. P_o as a function of V_p in stereo mode with THD = 0.5 %

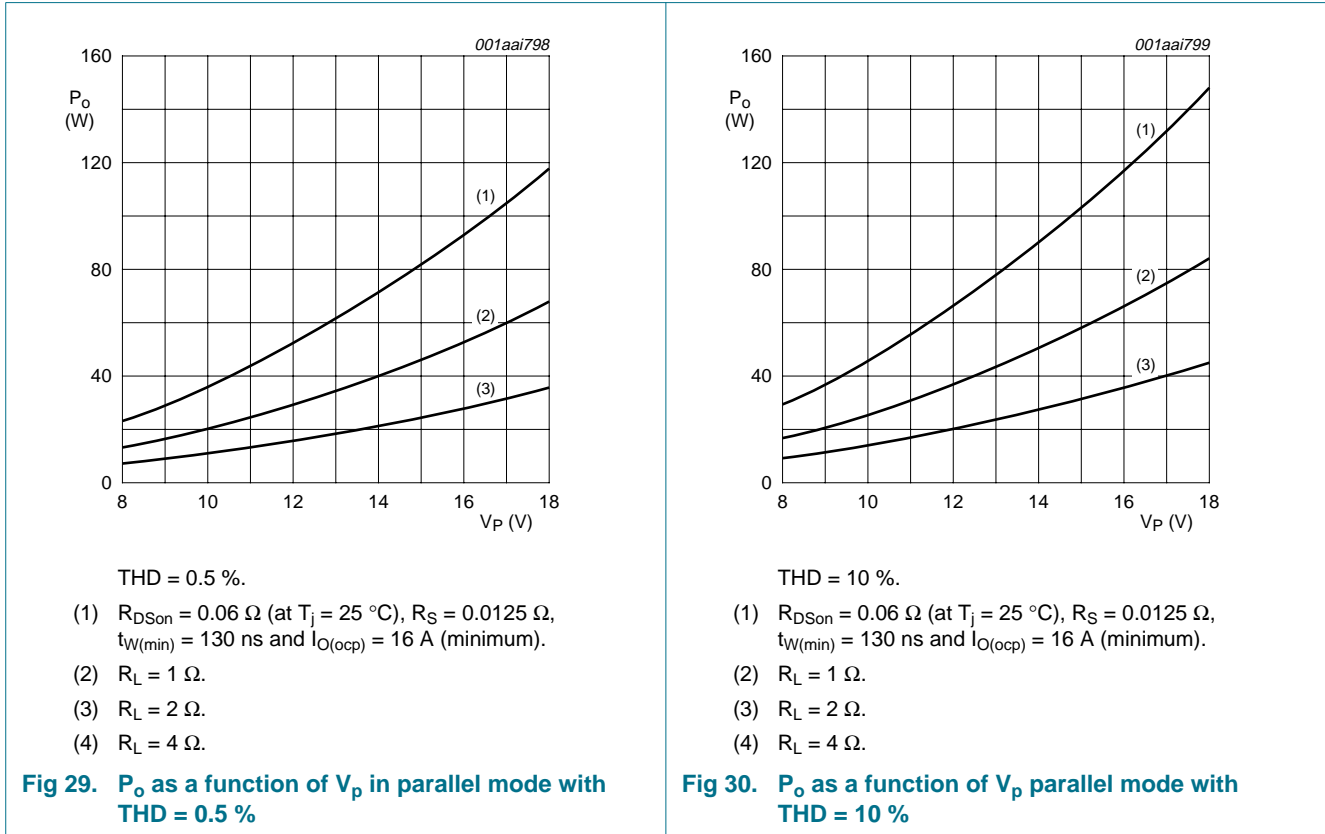


- THD = 10 %.
- (1) $R_{DSon} = 0.12 \Omega$ (at $T_j = 25 \text{ }^\circ\text{C}$), $R_S = 0.025 \Omega$, $t_{W(min)} = 130 \text{ ns}$ and $I_{O(ocp)} = 8 \text{ A}$ (minimum).
 - (2) $R_L = 1 \Omega$.
 - (3) $R_L = 2 \Omega$.
 - (4) $R_L = 4 \Omega$.

Fig 28. P_o as a function of V_p in stereo mode with THD = 10 %

14.2 Output power estimation (Parallel mode)

Figure 29 and Figure 30 show the estimated output power at THD = 0.5 % and THD = 10 % as a function of the supply voltage for different load impedances in parallel mode.



14.3 Output current limiting

The peak output current is internally limited to 8 A maximum. During normal operation, the output current should not exceed this threshold level otherwise the output signal will be distorted. The peak output current can be estimated using the following equation:

$$I_o \leq \frac{V_p}{R_L + 2 \times (R_{RSon} + R_S)} \leq 8 \text{ A} \tag{6}$$

- I_o = output current (A)
- V_p = supply voltage (V)
- R_L = load impedance (Ω)
- R_{DSon} = on-resistance power switch (Ω)
- R_S = series resistance output inductor (Ω)

Example: A 1 Ω speaker can be used with a supply voltage of 11 V before current limiting is triggered.

Current limiting (clipping) avoids audio holes but can cause distortion similar to voltage clipping. In Parallel mode, the output current is internally limited above 16 A.

14.4 Speaker configuration and impedance

A flat-frequency response (due to a 2nd order Butterworth filter) is obtained by changing the low-pass filter components (L_{LC} , C_{LC}) based on the speaker configuration and impedance. [Table 22](#) shows the required values.

Table 22. Filter components values

Load impedance (Ω)	L_{LC} (μH)	C_{LC} (μF)
1	2.5	4.4
2	5	2.2
4	10	1

Remark: When using a 1 Ω load impedance in Parallel mode, the outputs are shorted after the low-pass filter switches two 2 Ω filters in parallel.

14.5 Heat sink requirements

In some applications, it may be necessary to connect an external heat sink to the TDF8599. Thermal foldback activates at $T_j = 145$ °C. The expression below shows the relationship between the maximum power dissipation before activation of thermal foldback and the total thermal resistance from junction to ambient;

$$R_{th(j-a)} = \frac{T_{j(max)} - T_{amb}}{P_{max}} \tag{7}$$

P_{max} is determined by the efficiency (η) of the TDF8599. The efficiency measured as a function of output power is given in [Figure 39](#). The power dissipation can be derived as a function of output power (see [Figure 32](#)).

Example 1:

- $V_p = 14.4$ V
- $P_o = 2 \times 25$ W into 4 Ω (THD = 10 % continuous)
- $T_{j(max)} = 140$ °C
- $T_{amb} = 25$ °C
- $P_{max} = 5.8$ W (from [Figure 39](#))
- The required $R_{th(j-a)} = 115$ °C/5.8 W = 19 K/W

The total thermal resistance $R_{th(j-a)}$ consists of:

- $R_{th(j-c)} + R_{th(c-h)} + R_{th(h-a)}$

Where:

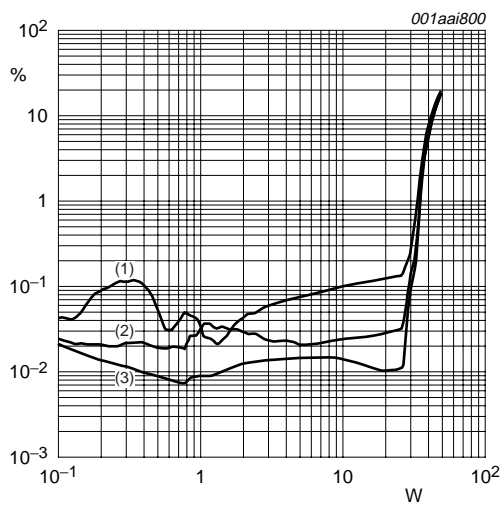
- Thermal resistance from junction to case ($R_{th(j-c)} = 1.1$ K/W)
- Thermal resistance from case to heat sink ($R_{th(c-h)} = 0.5 - 1$ K/W (depending on mounting))
- Thermal resistance from heat sink to ambient ($R_{th(h-a)}$) would then be $19 - (1.1 + 1) = 17$ K/W.

If an audio signal has a crest factor of 10 (the ratio between peak power and average power = 10 dB) then T_j will be much lower.

Example 2:

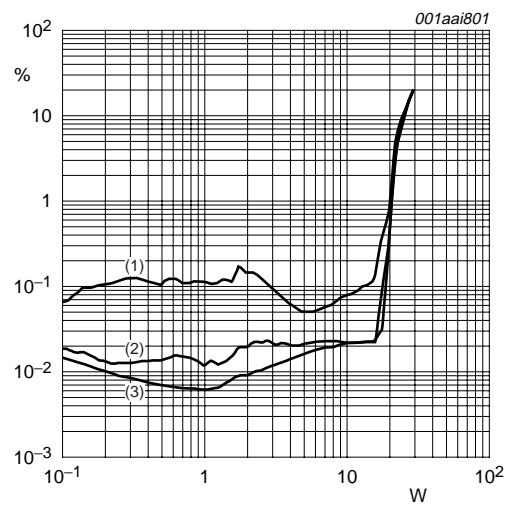
- $V_p = 14.4 \text{ V}$
- $P_o = 2 \times (25 \text{ W}/10) = 2 \times 2.5 \text{ W}$ into 4Ω (audio with crest factor of 10)
- $T_{amb} = 25 \text{ }^\circ\text{C}$
- $P_{max} = 2.5 \text{ W}$ (from [Figure 39](#))
- $R_{th(j-a)} = 19 \text{ K/W}$
- $T_{j(max)} = 25 \text{ }^\circ\text{C} + 2.5 \text{ W} \times 19 \text{ K/W} = 72 \text{ }^\circ\text{C}$

14.6 Curves measured in reference design



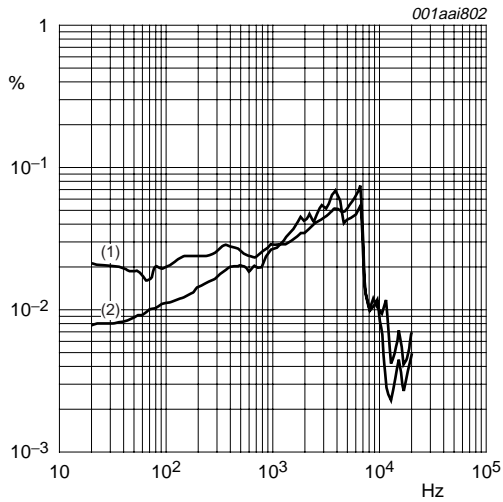
- (1) $V_p = 14.4 \text{ V}$; $R_L = 2 \Omega$ at 6 kHz.
- (2) $V_p = 14.4 \text{ V}$; $R_L = 2 \Omega$ at 1 kHz.
- (3) $V_p = 14.4 \text{ V}$; $R_L = 2 \Omega$ at 100 Hz.

Fig 31. THD + N as a function of output power



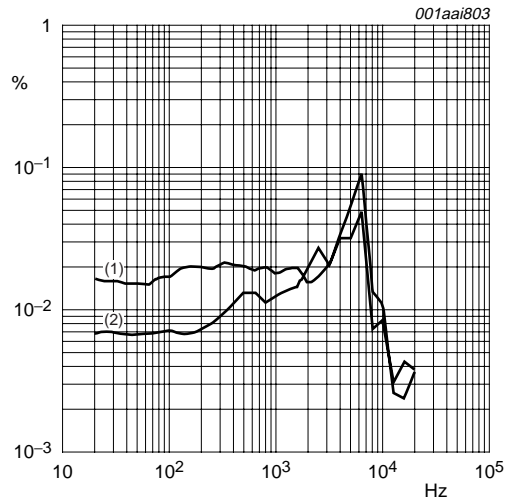
- (1) $V_p = 14.4 \text{ V}$; $R_L = 4 \Omega$ at 6 kHz.
- (2) $V_p = 14.4 \text{ V}$; $R_L = 4 \Omega$ at 1 kHz.
- (3) $V_p = 14.4 \text{ V}$; $R_L = 4 \Omega$ at 100 Hz.

Fig 32. THD + N as a function of output power



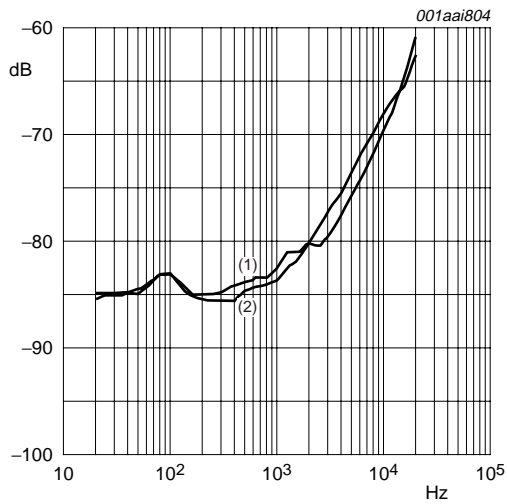
- (1) $V_P = 14.4\text{ V}$; $R_L = 2\ \Omega$ at 10 W.
- (2) $V_P = 14.4\text{ V}$; $R_L = 2\ \Omega$ at 1 W.

Fig 33. THD + N as a function of frequency with a 2 Ω load



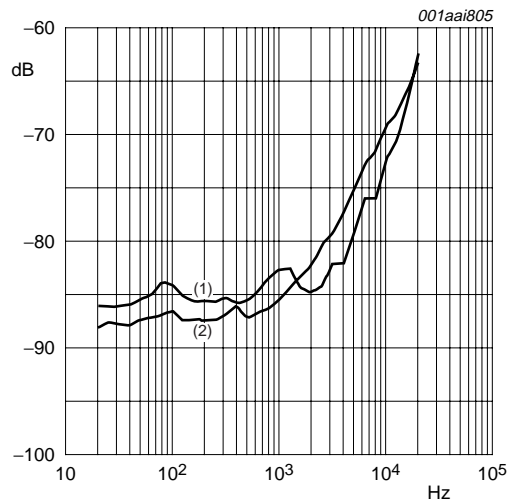
- (1) $V_P = 14.4\text{ V}$; $R_L = 4\ \Omega$ at 10 W.
- (2) $V_P = 14.4\text{ V}$; $R_L = 4\ \Omega$ at 1 W.

Fig 34. THD + N as a function of frequency with a 4 Ω load



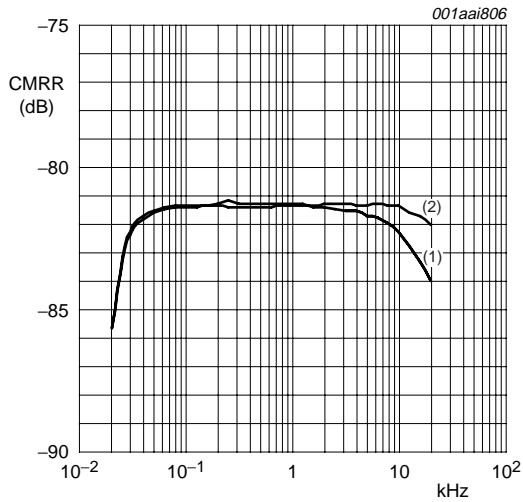
- $P_O = 1\text{ W}$; $V_P = 14.4\text{ V}$; $R_L = 2\ \Omega$.
- (1) Channel 1 to channel 2.
 - (2) Channel 2 to channel 1.

Fig 35. Channel separation as a function of frequency with a 2 Ω load



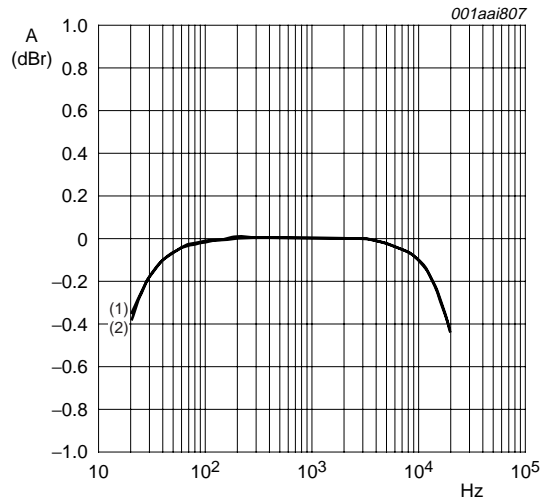
- $P_O = 1\text{ W}$; $V_P = 14.4\text{ V}$; $R_L = 4\ \Omega$.
- (1) Channel 1 to channel 2.
 - (2) Channel 2 to channel 1.

Fig 36. Channel separation as a function of frequency with a 4 Ω load



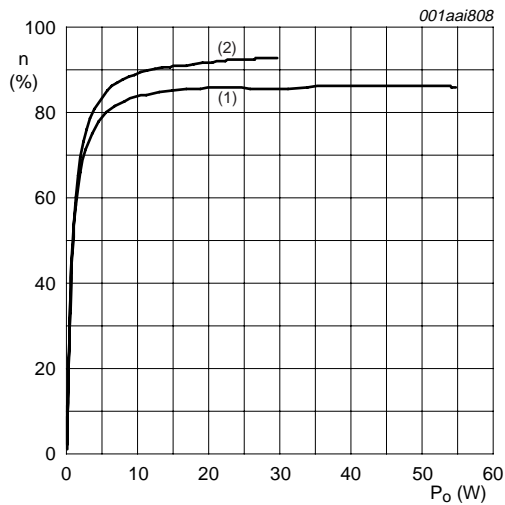
$V_i = 1\text{ V}; R_i = 0\ \Omega.$
 (1) $V_P = 14.4\text{ V}; R_L = 2\ \Omega.$
 (2) $V_P = 14.4\text{ V}; R_L = 4\ \Omega.$

Fig 37. CMRR as a function of frequency



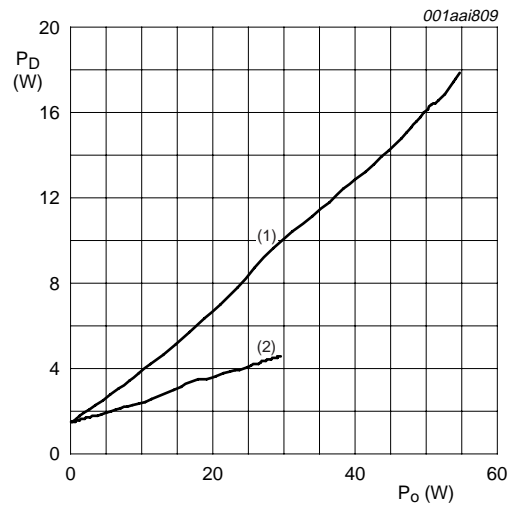
$V_i = 100\text{ mV RMS}; R_i = 0\ \Omega.$
 (1) $V_P = 14.4\text{ V}; R_L = 2\ \Omega.$
 (2) $V_P = 14.4\text{ V}; R_L = 4\ \Omega.$

Fig 38. Gain as a function of frequency



(1) $V_P = 14.4\text{ V}; R_L = 2\ \Omega$ at 1 kHz.
 (2) $V_P = 14.4\text{ V}; R_L = 4\ \Omega$ at 1 kHz.

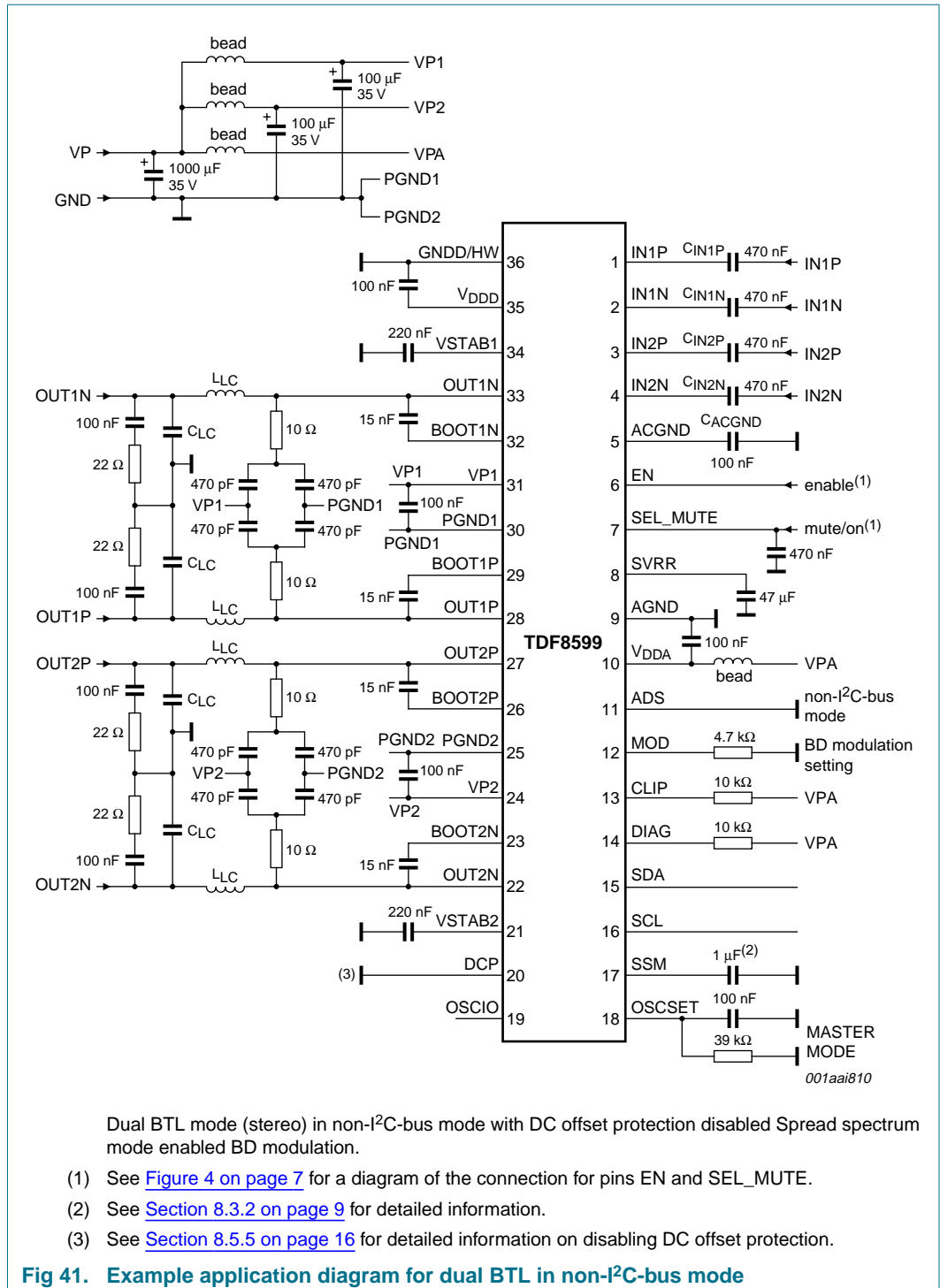
Fig 39. Efficiency as a function of P_o

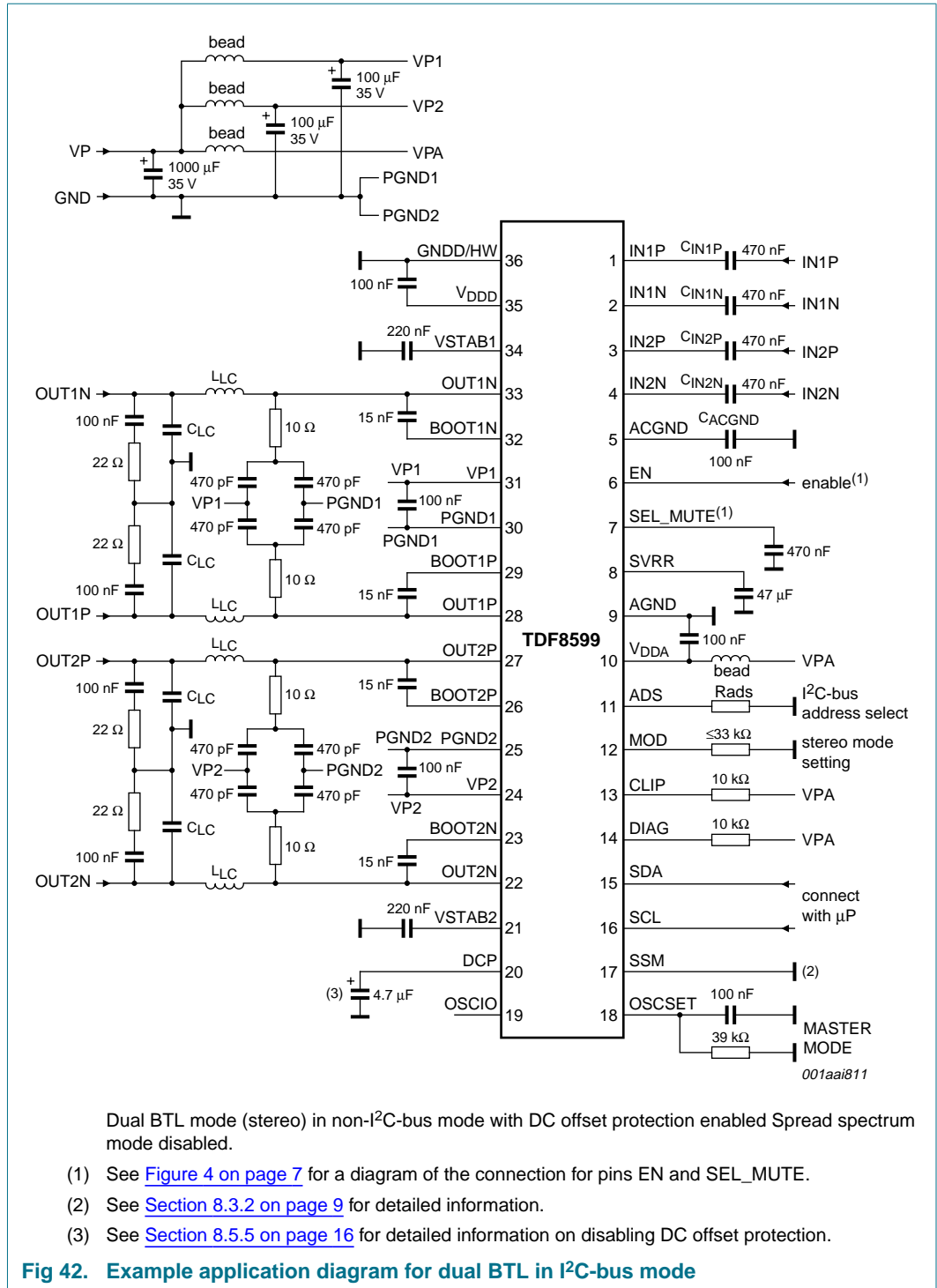


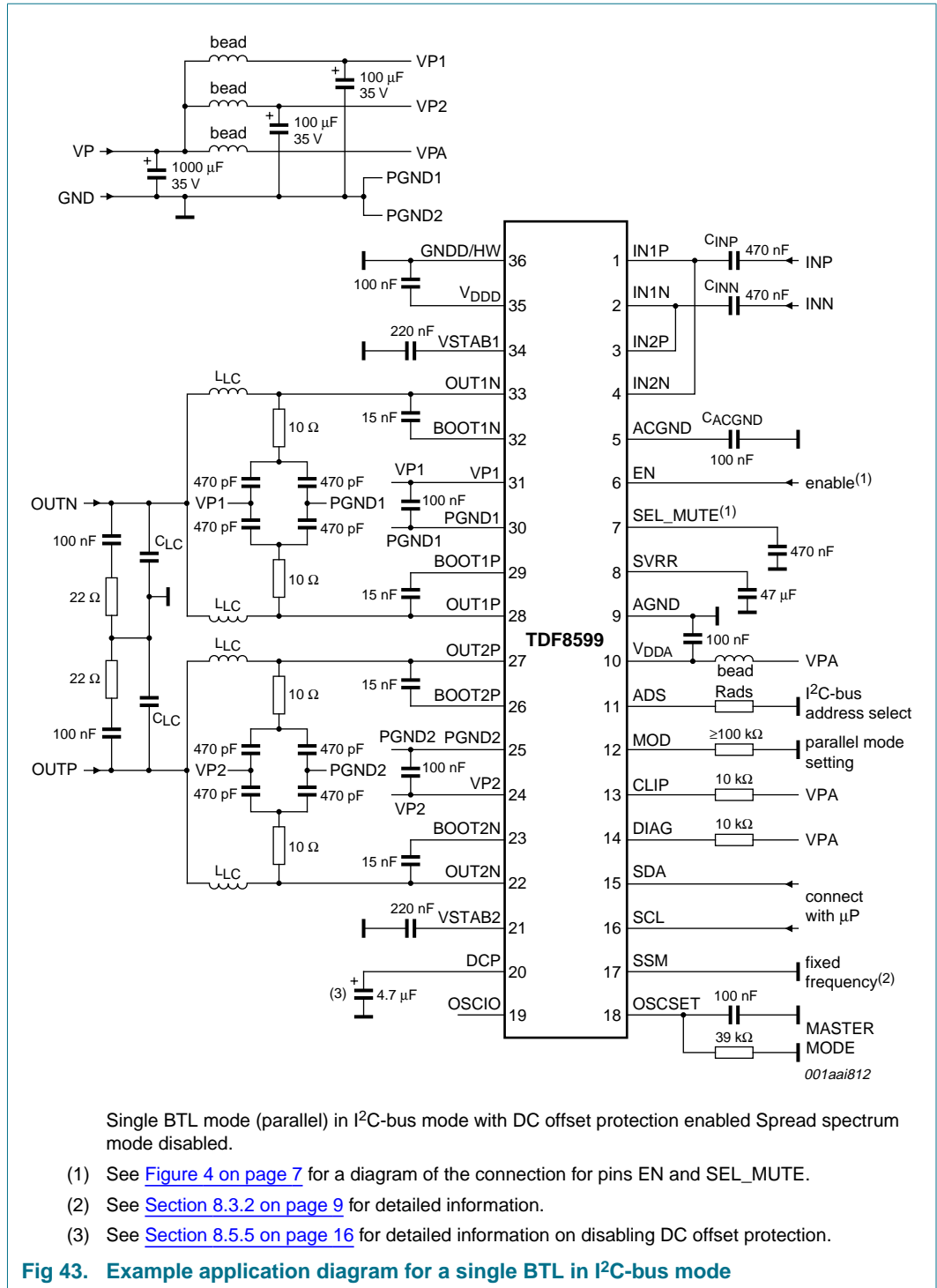
(1) $V_P = 14.4\text{ V}; R_L = 2\ \Omega$ at 1 kHz.
 (2) $V_P = 14.4\text{ V}; R_L = 4\ \Omega$ at 1 kHz.

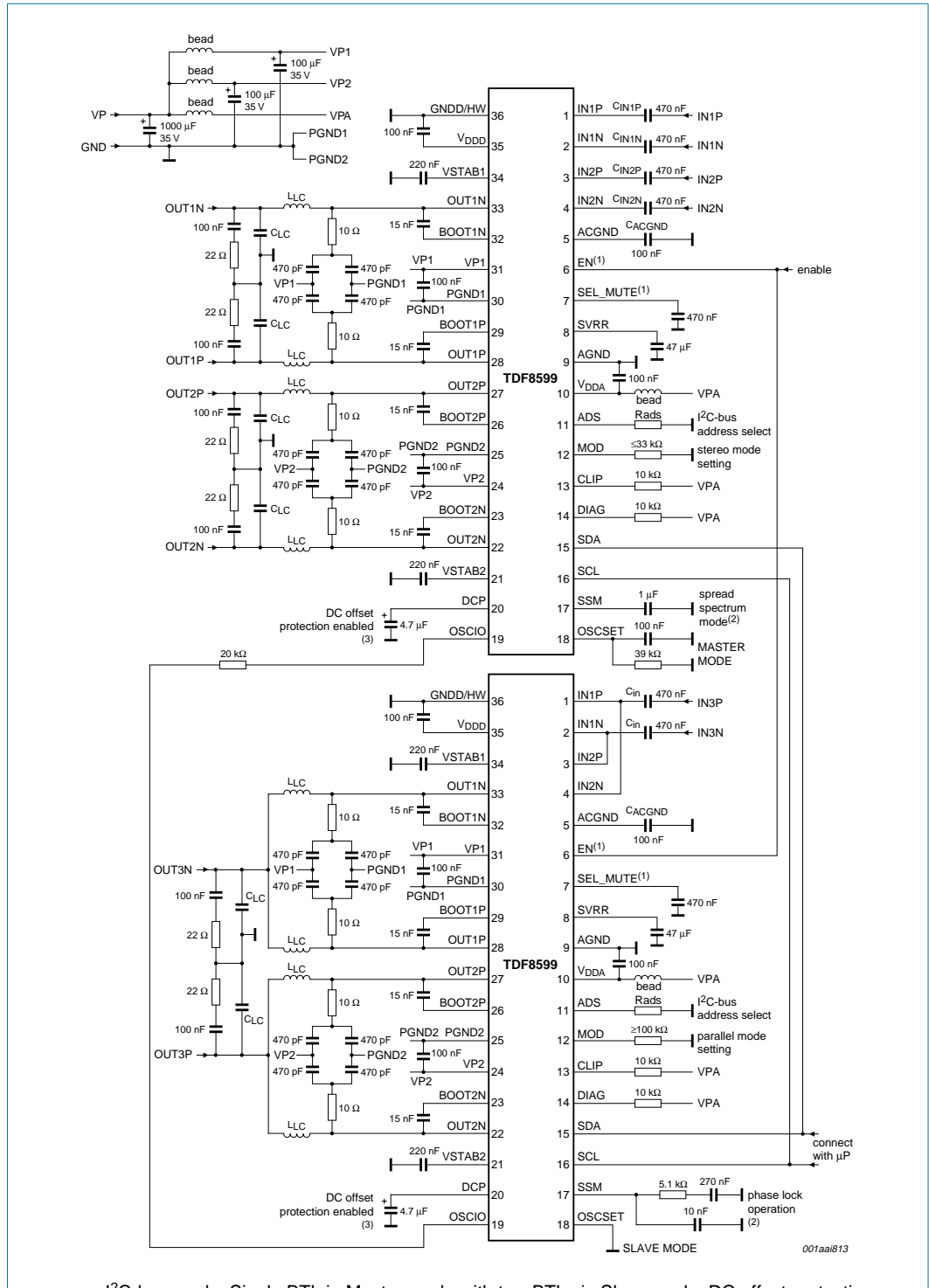
Fig 40. Power dissipation as a function of total output power

14.7 Typical application schematics









I²C-bus mode: Single BTL in Master mode with two BTLs in Slave mode; DC offset protection enabled.

- (1) See [Figure 4 on page 7](#) for a diagram of the connection for pins EN and SEL_MUTE.
- (2) See [Section 8.3.2 on page 9](#) for detailed information.
- (3) See [Section 8.5.5 on page 16](#) for detailed information on disabling DC offset protection.

Fig 44. Master-slave example application diagram; one BTL master and two BTL slaves in I²C-bus mode

15. Package outline

HSOP36: plastic, heatsink small outline package; 36 leads; low stand-off height

SOT851-2

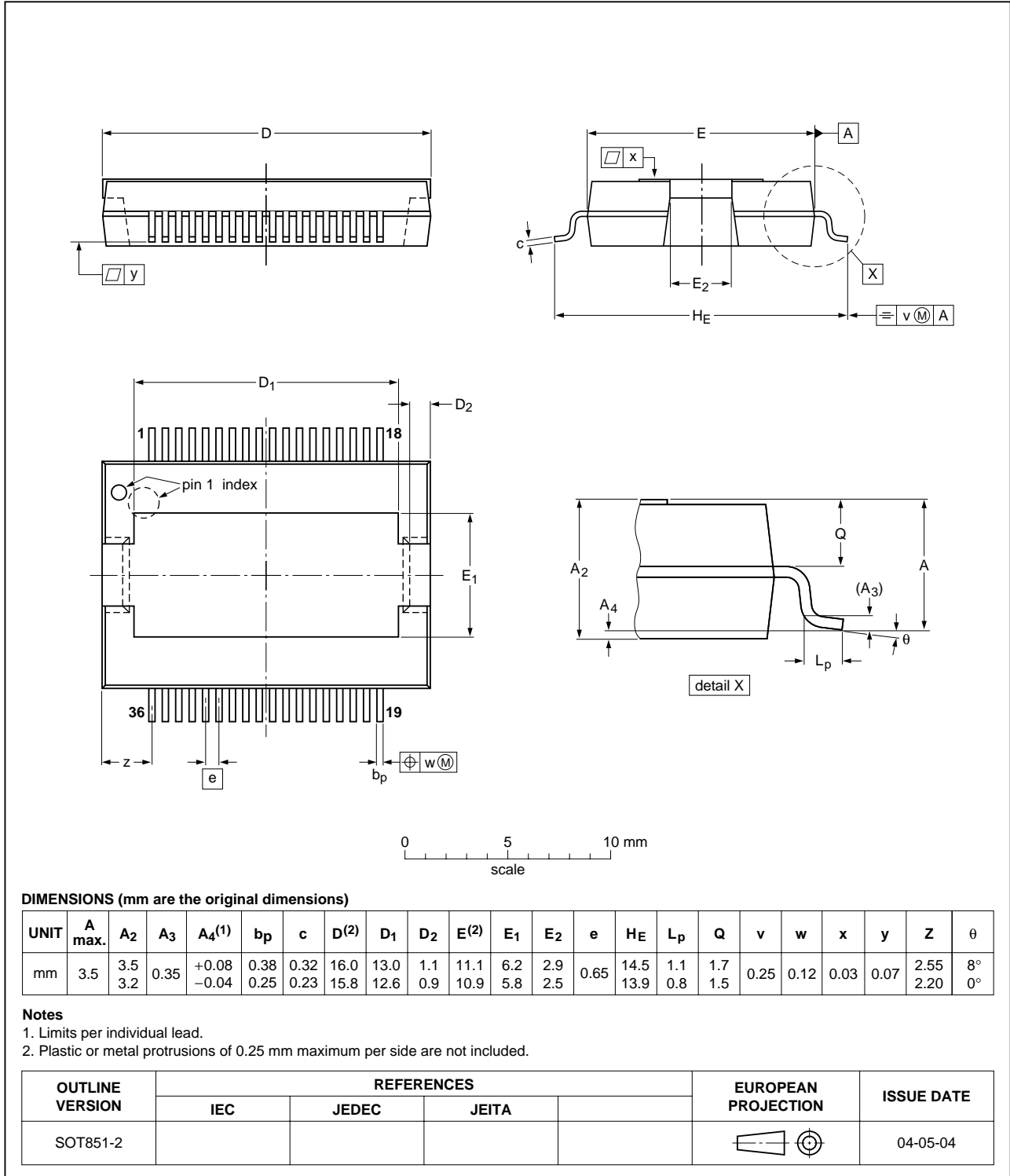


Fig 45. Package outline SOT851-2 (HSOP36)

HSOP36: plastic, heatsink small outline package; 36 leads; low stand-off height

SOT938-1

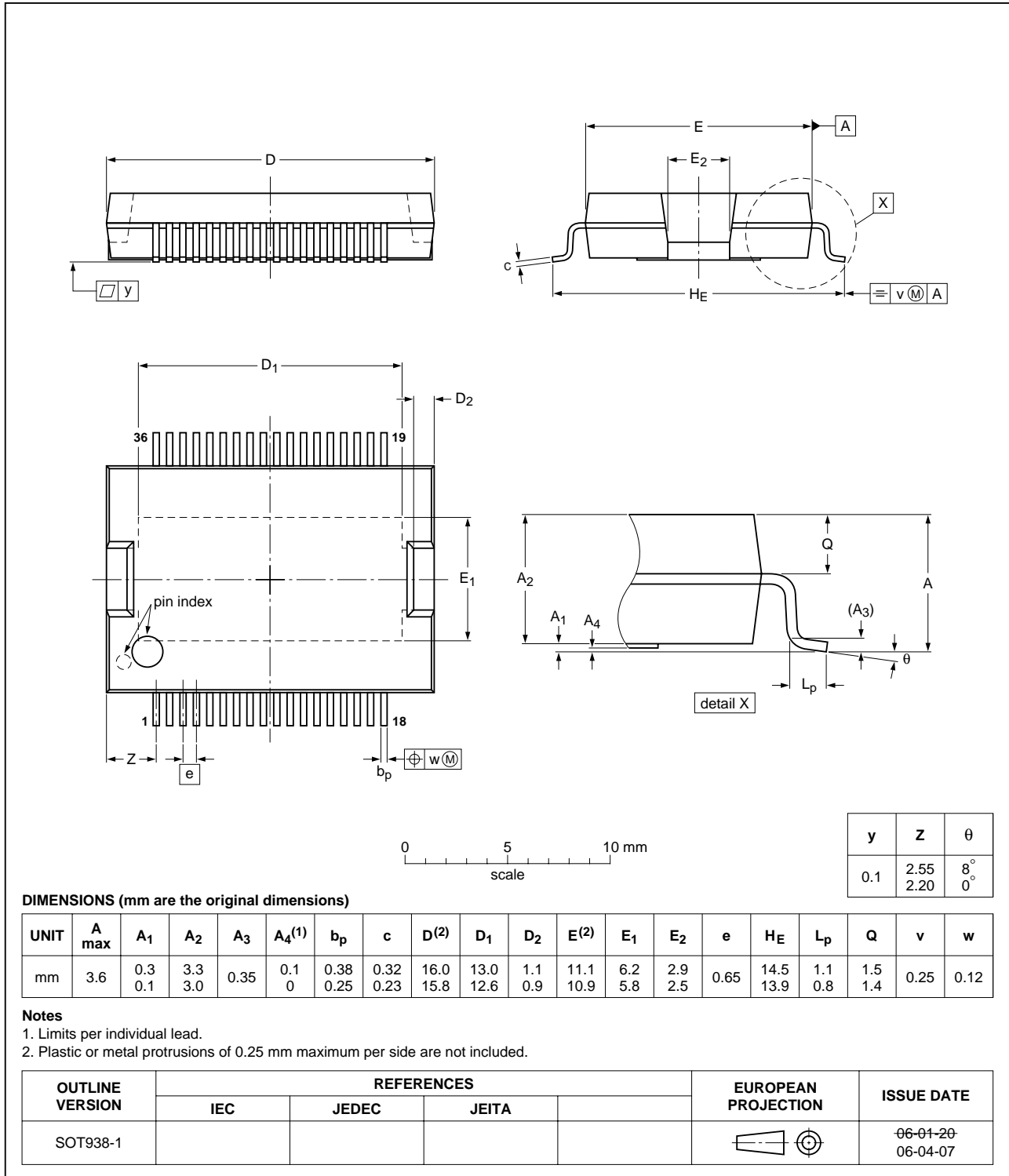


Fig 46. Package outline SOT938-1 (HSOP36)

16. Handling information

In accordance with SNW-FQ-611-D. The number of the quality specification can be found in the Quality Reference Handbook. The handbook can be ordered using the code 9398 510 63011.

17. Soldering of SMD packages

This text provides a very brief insight into a complex technology. A more in-depth account of soldering ICs can be found in Application Note *AN10365 "Surface mount reflow soldering description"*.

17.1 Introduction to soldering

Soldering is one of the most common methods through which packages are attached to Printed Circuit Boards (PCBs), to form electrical circuits. The soldered joint provides both the mechanical and the electrical connection. There is no single soldering method that is ideal for all IC packages. Wave soldering is often preferred when through-hole and Surface Mount Devices (SMDs) are mixed on one printed wiring board; however, it is not suitable for fine pitch SMDs. Reflow soldering is ideal for the small pitches and high densities that come with increased miniaturization.

17.2 Wave and reflow soldering

Wave soldering is a joining technology in which the joints are made by solder coming from a standing wave of liquid solder. The wave soldering process is suitable for the following:

- Through-hole components
- Leaded or leadless SMDs, which are glued to the surface of the printed circuit board

Not all SMDs can be wave soldered. Packages with solder balls, and some leadless packages which have solder lands underneath the body, cannot be wave soldered. Also, leaded SMDs with leads having a pitch smaller than ~0.6 mm cannot be wave soldered, due to an increased probability of bridging.

The reflow soldering process involves applying solder paste to a board, followed by component placement and exposure to a temperature profile. Leaded packages, packages with solder balls, and leadless packages are all reflow solderable.

Key characteristics in both wave and reflow soldering are:

- Board specifications, including the board finish, solder masks and vias
- Package footprints, including solder thieves and orientation
- The moisture sensitivity level of the packages
- Package placement
- Inspection and repair
- Lead-free soldering versus SnPb soldering

17.3 Wave soldering

Key characteristics in wave soldering are:

- Process issues, such as application of adhesive and flux, clinching of leads, board transport, the solder wave parameters, and the time during which components are exposed to the wave
- Solder bath specifications, including temperature and impurities

17.4 Reflow soldering

Key characteristics in reflow soldering are:

- Lead-free versus SnPb soldering; note that a lead-free reflow process usually leads to higher minimum peak temperatures (see [Figure 47](#)) than a SnPb process, thus reducing the process window
- Solder paste printing issues including smearing, release, and adjusting the process window for a mix of large and small components on one board
- Reflow temperature profile; this profile includes preheat, reflow (in which the board is heated to the peak temperature) and cooling down. It is imperative that the peak temperature is high enough for the solder to make reliable solder joints (a solder paste characteristic). In addition, the peak temperature must be low enough that the packages and/or boards are not damaged. The peak temperature of the package depends on package thickness and volume and is classified in accordance with [Table 23](#) and [24](#)

Table 23. SnPb eutectic process (from J-STD-020C)

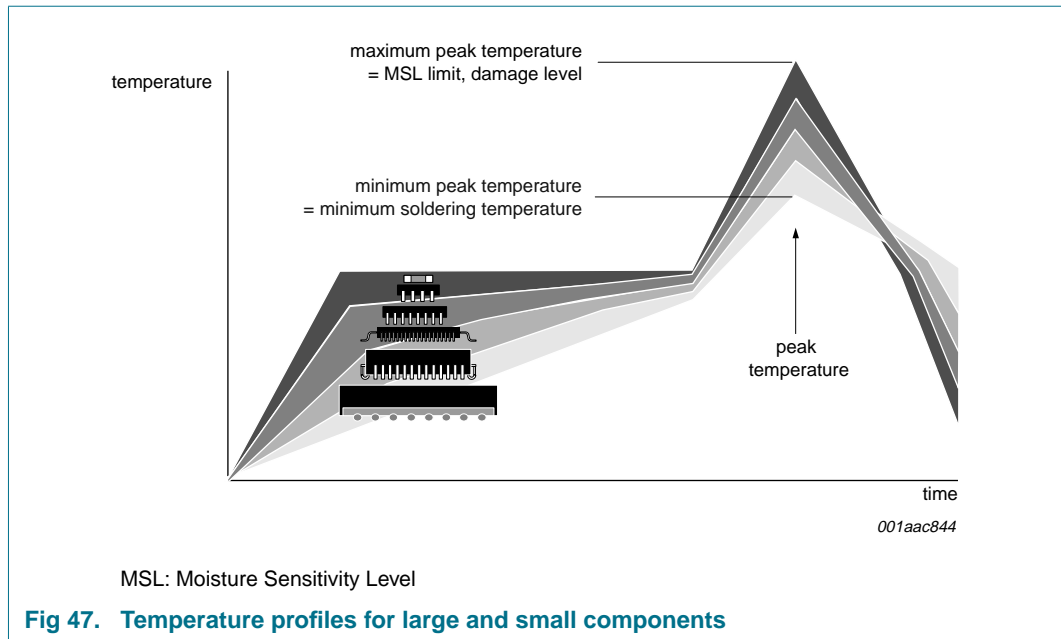
Package thickness (mm)	Package reflow temperature (°C)	
	Volume (mm ³)	
	< 350	≥ 350
< 2.5	235	220
≥ 2.5	220	220

Table 24. Lead-free process (from J-STD-020C)

Package thickness (mm)	Package reflow temperature (°C)		
	Volume (mm ³)		
	< 350	350 to 2000	> 2000
< 1.6	260	260	260
1.6 to 2.5	260	250	245
> 2.5	250	245	245

Moisture sensitivity precautions, as indicated on the packing, must be respected at all times.

Studies have shown that small packages reach higher temperatures during reflow soldering, see [Figure 47](#).



For further information on temperature profiles, refer to Application Note AN10365 “Surface mount reflow soldering description”.

18. Abbreviations

Table 25. Abbreviations

Abbreviation	Description
BCDMOS	Bipolar Complementary and double Diffused Metal-Oxide Semiconductor
BTL	Bridge-Tied Load
DCP	DC offset Protection
EMI	ElectroMagnetic Interference
I ² C	Inter-Integrated Circuit
LSB	Least Significant Bit
MSB	Most Significant Bit
NDMOST	N-type double Diffused Metal-Oxide Semiconductor Transistor
OCP	OverCurrent Protection
OTP	OverTemperature Protection
OVP	OverVoltage Protection
POR	Power-On Reset
PWM	Pulse-Width Modulation
SOI	Silicon On Insulator
TFP	Thermal Foldback Protection
UVP	UnderVoltage Protection
WP	Window Protection

19. Revision history

Table 26. Revision history

Document ID	Release date	Data sheet status	Change notice	Supersedes
TDF8599_1	20081113	Product data sheet	-	-

20. Legal information

20.1 Data sheet status

Document status ^{[1][2]}	Product status ^[3]	Definition
Objective [short] data sheet	Development	This document contains data from the objective specification for product development.
Preliminary [short] data sheet	Qualification	This document contains data from the preliminary specification.
Product [short] data sheet	Production	This document contains the product specification.

[1] Please consult the most recently issued document before initiating or completing a design.

[2] The term 'short data sheet' is explained in section "Definitions".

[3] The product status of device(s) described in this document may have changed since this document was published and may differ in case of multiple devices. The latest product status information is available on the Internet at URL <http://www.nxp.com>.

20.2 Definitions

Draft — The document is a draft version only. The content is still under internal review and subject to formal approval, which may result in modifications or additions. NXP Semiconductors does not give any representations or warranties as to the accuracy or completeness of information included herein and shall have no liability for the consequences of use of such information.

Short data sheet — A short data sheet is an extract from a full data sheet with the same product type number(s) and title. A short data sheet is intended for quick reference only and should not be relied upon to contain detailed and full information. For detailed and full information see the relevant full data sheet, which is available on request via the local NXP Semiconductors sales office. In case of any inconsistency or conflict with the short data sheet, the full data sheet shall prevail.

20.3 Disclaimers

General — Information in this document is believed to be accurate and reliable. However, NXP Semiconductors does not give any representations or warranties, expressed or implied, as to the accuracy or completeness of such information and shall have no liability for the consequences of use of such information.

Right to make changes — NXP Semiconductors reserves the right to make changes to information published in this document, including without limitation specifications and product descriptions, at any time and without notice. This document supersedes and replaces all information supplied prior to the publication hereof.

Suitability for use — NXP Semiconductors products are not designed, authorized or warranted to be suitable for use in medical, military, aircraft, space or life support equipment, nor in applications where failure or malfunction of an NXP Semiconductors product can reasonably be expected to result in personal injury, death or severe property or environmental

damage. NXP Semiconductors accepts no liability for inclusion and/or use of NXP Semiconductors products in such equipment or applications and therefore such inclusion and/or use is at the customer's own risk.

Applications — Applications that are described herein for any of these products are for illustrative purposes only. NXP Semiconductors makes no representation or warranty that such applications will be suitable for the specified use without further testing or modification.

Limiting values — Stress above one or more limiting values (as defined in the Absolute Maximum Ratings System of IEC 60134) may cause permanent damage to the device. Limiting values are stress ratings only and operation of the device at these or any other conditions above those given in the Characteristics sections of this document is not implied. Exposure to limiting values for extended periods may affect device reliability.

Terms and conditions of sale — NXP Semiconductors products are sold subject to the general terms and conditions of commercial sale, as published at <http://www.nxp.com/profile/terms>, including those pertaining to warranty, intellectual property rights infringement and limitation of liability, unless explicitly otherwise agreed to in writing by NXP Semiconductors. In case of any inconsistency or conflict between information in this document and such terms and conditions, the latter will prevail.

No offer to sell or license — Nothing in this document may be interpreted or construed as an offer to sell products that is open for acceptance or the grant, conveyance or implication of any license under any copyrights, patents or other industrial or intellectual property rights.

Quick reference data — The Quick reference data is an extract of the product data given in the Limiting values and Characteristics sections of this document, and as such is not complete, exhaustive or legally binding.

20.4 Trademarks

Notice: All referenced brands, product names, service names and trademarks are the property of their respective owners.

I²C-bus — logo is a trademark of NXP B.V.

21. Contact information

For more information, please visit: <http://www.nxp.com>

For sales office addresses, please send an email to: salesaddresses@nxp.com

22. Tables

Table 1. Quick reference data	2	Table 14. Instruction byte descriptions	25
Table 2. Ordering information	2	Table 15. Frequency bit settings	25
Table 3. Pin description	5	Table 16. Description of data bytes	26
Table 4. I ² C-bus mode operation	8	Table 17. Limiting values	27
Table 5. Non-I ² C-bus mode operation	8	Table 18. Thermal characteristics	27
Table 6. Mode setting OSCIO	8	Table 19. Static characteristics	28
Table 7. Oscillator modes	11	Table 20. Switching characteristics	31
Table 8. Operation mode selection with the MOD pin	12	Table 21. Dynamic characteristics	32
Table 9. Overview of protection types	15	Table 22. Filter components values	36
Table 10. Overview of TDF8599 protection circuits and amplifier states	17	Table 23. SnPb eutectic process (from J-STD-020C)	47
Table 11. Available data at DIAG and CLIP pin	18	Table 24. Lead-free process (from J-STD-020C)	47
Table 12. Interpretation of DC load detection bits	20	Table 25. Abbreviations	48
Table 13. TDF8599 address using an external resistor	23	Table 26. Revision history	49

23. Figures

Fig 1. Block diagram	3	Fig 30. P _o as a function of V _p parallel mode with THD = 10 %	35
Fig 2. Heatsink up (top view) pin configuration TDF8599TH	4	Fig 31. THD + N as a function of output power	37
Fig 3. Heatsink down (top view) pin configuration TDF8599TD	5	Fig 32. THD + N as a function of output power	37
Fig 4. Mode selection	7	Fig 33. THD + N as a function of frequency with a 2 W load	38
Fig 5. Oscillator frequency as function of R _{osc}	9	Fig 34. THD + N as a function of frequency with a 4 W load	38
Fig 6. Master and slave configuration	9	Fig 35. Channel separation as a function of frequency with a 2 W load	38
Fig 7. Spread spectrum mode	10	Fig 36. Channel separation as a function of frequency with a 4 W load	38
Fig 8. Spread spectrum operation in Master mode	10	Fig 37. CMRR as a function of frequency	39
Fig 9. Phase lock operation	11	Fig 38. Gain as a function of frequency	39
Fig 10. AD/BD modulation switching circuit	12	Fig 39. Efficiency as a function of P _o	39
Fig 11. AD modulation	13	Fig 40. Power dissipation as a function of total output power	39
Fig 12. BD modulation	13	Fig 41. Example application diagram for dual BTL in non-I ² C-bus mode	40
Fig 13. Master and slave operation with 1/2 p phase shift	14	Fig 42. Example application diagram for dual BTL in I ² C-bus mode	41
Fig 14. Mono and Parallel modes	14	Fig 43. Example application diagram for a single BTL in I ² C-bus mode	42
Fig 15. DC offset protection and diagnostic output	16	Fig 44. Master-slave example application diagram; one BTL master and two BTL slaves in I ² C-bus mode	43
Fig 16. Diagnostic output for short circuit conditions	18	Fig 45. Package outline SOT851-2 (HSOP36)	44
Fig 17. DC load detection circuit	19	Fig 46. Package outline SOT938-1 (HSOP36)	45
Fig 18. DC load detection procedure	19	Fig 47. Temperature profiles for large and small components	48
Fig 19. DC load detection limits	19		
Fig 20. Recommended start-up sequence with DC load detection enabled	21		
Fig 21. Start-up and shutdown timing in I ² C-bus mode with DC load detection	22		
Fig 22. Start-up and shutdown timing in non-I ² C-bus mode	23		
Fig 23. I ² C-bus start and stop conditions	24		
Fig 24. Data bits sent from Master microprocessor (Mmp)	24		
Fig 25. I ² C-bus write	24		
Fig 26. I ² C-bus read	24		
Fig 27. P _o as a function of V _p in stereo mode with THD = 0.5 %	34		
Fig 28. P _o as a function of V _p in stereo mode with THD = 10 %	34		
Fig 29. P _o as a function of V _p in parallel mode with THD = 0.5 %	35		

24. Contents

1	General description	1	13	Dynamic characteristics	32
2	Features	1	14	Application information	33
3	Applications	2	14.1	Output power estimation (Stereo mode)	33
4	Quick reference data	2	14.2	Output power estimation (Parallel mode)	35
5	Ordering information	2	14.3	Output current limiting	35
6	Block diagram	3	14.4	Speaker configuration and impedance	36
7	Pinning information	4	14.5	Heat sink requirements	36
7.1	Pinning	4	14.6	Curves measured in reference design	37
7.2	Pin description	5	14.7	Typical application schematics	40
8	Functional description	6	15	Package outline	44
8.1	General	6	16	Handling information	46
8.2	Mode selection	7	17	Soldering of SMD packages	46
8.3	Pulse-width modulation frequency	8	17.1	Introduction to soldering	46
8.3.1	Master and slave mode selection	8	17.2	Wave and reflow soldering	46
8.3.2	Spread spectrum mode (Master mode)	9	17.3	Wave soldering	46
8.3.3	Frequency hopping (Master mode)	10	17.4	Reflow soldering	47
8.3.4	Phase lock operation (Slave mode)	10	18	Abbreviations	48
8.4	Operation mode selection	11	19	Revision history	49
8.4.1	Modulation mode	12	20	Legal information	50
8.4.2	Phase staggering (Slave mode)	13	20.1	Data sheet status	50
8.4.3	Parallel mode	14	20.2	Definitions	50
8.5	Protection	15	20.3	Disclaimers	50
8.5.1	Thermal foldback	15	20.4	Trademarks	50
8.5.2	Overtemperature protection	15	21	Contact information	50
8.5.3	Overcurrent protection	15	22	Tables	51
8.5.4	Window protection	16	23	Figures	51
8.5.5	DC Protection	16	24	Contents	52
8.5.6	Supply voltages	17			
8.5.7	Overview of protection circuits and amplifier states	17			
8.6	Diagnostic output	18			
8.6.1	Diagnostic table	18			
8.6.2	Load identification (I ² C-bus mode only)	19			
8.6.2.1	DC load detection	19			
8.6.2.2	Recommended start-up sequence with DC load detection enabled	20			
8.6.2.3	AC load detection	21			
8.6.2.4	CLIP detection	21			
8.6.3	Start-up and shutdown sequence	22			
9	I²C-bus specification	23			
9.1	Instruction bytes	25			
9.2	Data bytes	26			
10	Limiting values	27			
11	Thermal characteristics	27			
12	Static characteristics	28			
12.1	Switching characteristics	31			

Please be aware that important notices concerning this document and the product(s) described herein, have been included in section 'Legal information'.

founded by

PHILIPS

© NXP B.V. 2008.

All rights reserved.

For more information, please visit: <http://www.nxp.com>

For sales office addresses, please send an email to: salesaddresses@nxp.com

Date of release: 13 November 2008

Document identifier: TDF8599_1