



SG6846A

Highly Integrated Green-Mode PWM Controller

Features

- Low Startup Current: 8µA
- Low Operating Current: 3.7mA
- Peak-Current Mode of Operation with Cycle-by-Cycle Current Limiting
- PWM Frequency Continuously Decreasing with Burst Mode at Light Loads
- V_{DD} Over-Voltage Protection (OVP)
- AC Input Brownout Protection with Hysteresis
- Constant Output Power Limit (Full AC Input Range)
- Internal Latch Circuit for OVP, OTP, and OCP
- Two-level OCP Delay: 1600ms
- Output Short-Circuited Delay Time: 100ms
- Programmable PWM Frequency with Frequency Hopping
- OCP Threshold is Half Peak Current Limit
- Feedback Open-loop Protection with 1700ms Delay
- Built-in Soft-Start

Applications

General-purpose switch-mode power supplies and flyback power converters, including:

- Power Adapters
- Open-frame SMPS
- SMPS with Surge-current Output, such as for Printers, Scanners, Motor Drivers

Description

The SG6846A is especially designed for SMPS with surge-current output, incorporated with a two-level OCP function. Besides the cycle-by-cycle current limiting, if the switching current is higher than two thirds the peak-current threshold for 1700ms, over-current protection is activated such that the SG6846A is latched off.

If the switching current is higher than two thirds of the peak-current threshold for 100ms, and the voltage on the V_{DD} is still higher than V_{DD-OFF} + 1V, the PWM pulses are latched off immediately once the V_{DD} voltage is lower than V_{DD-OFF} + 1V. This is useful when an output short circuit occurs.

SG6846A also integrates a frequency-hopping function internally to reduce EMI emission of a power supply with minimum line filters. Its built-in synchronized slope compensation provides proprietary internal compensation for constant output power limit over universal AC input range. Also, the gate output is clamped at 18V to protect the external MOSFET from over-voltage damage. Internal soft-start is built-in to soften the stress on the MOSFET and startup current during power on period.

Other protection functions include AC input brownout protection with hysteresis, V_{DD} over-voltage protection, and over-temperature protection. For over-temperature protection, an external NTC thermistor can be applied to sense the ambient temperature. When OCP, V_{DD} OVP, or OTP is activated, an internal latch circuit latches off the controller. The PWM pulses stay latched off until the power supply is disconnected from the mains outlet.

SG6846A controller is available in 8-pin SOP package.

Ordering Information

Part Number	Operating Temperature Range	OCP Latch	Eco Status	Package	Packing Method
SG6846ALSY	-40 to +105°C	Yes	Green	8-Pin Small Outline Package (SOP)	Tape & Reel
SG6846ACSY	-40 to +105°C	No	Green	8-Pin Small Outline Package (SOP)	Tape & Reel
SG6846ALSZ	-40 to +105°C	Yes	RoHS	8-Pin Small Outline Package (SOP)	Tape & Reel

 For Fairchild's definition of "green" Eco Status, please visit: http://www.fairchildsemi.com/company/green/rohs_green.html.

Typical Application

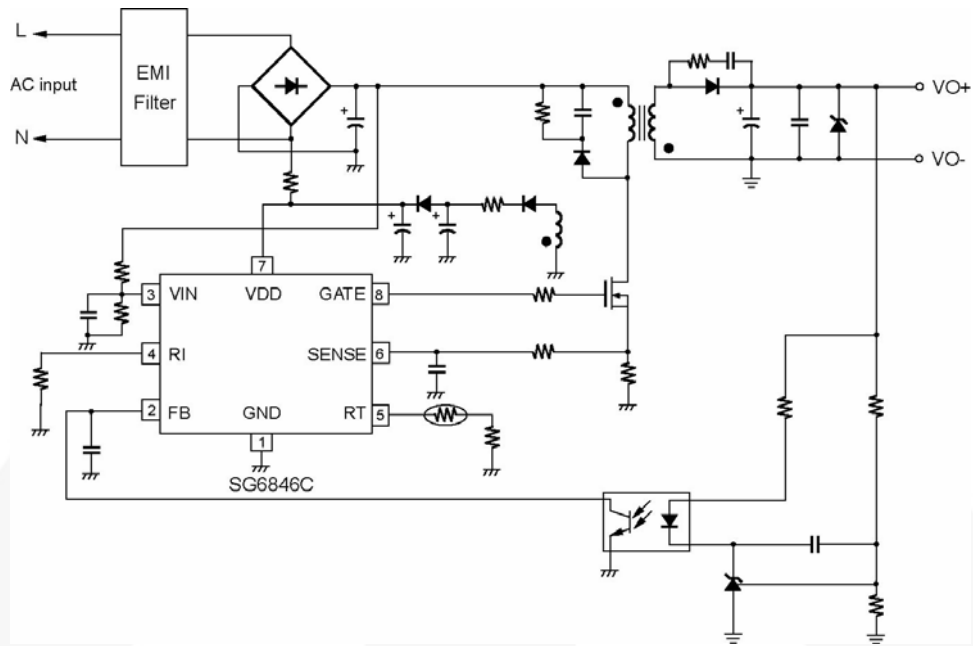


Figure 1. Typical Application

Block Diagram

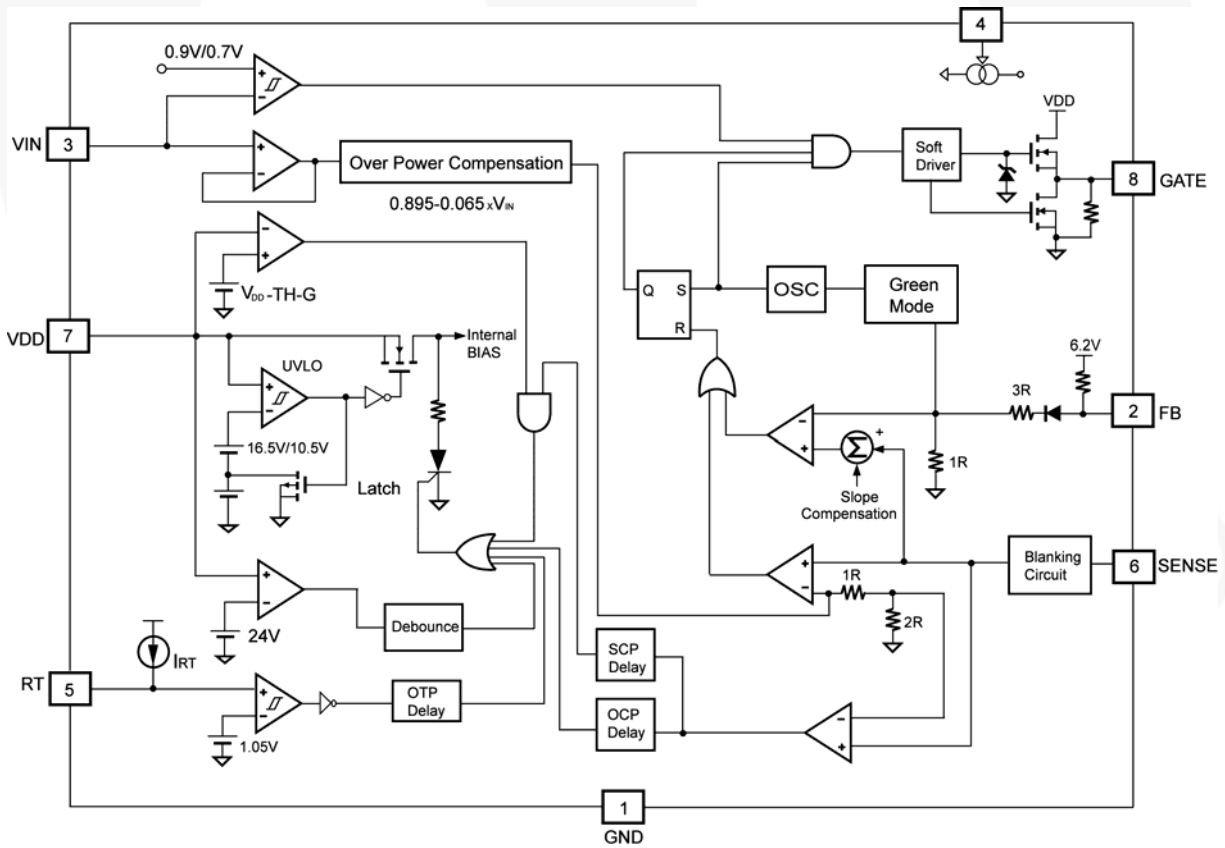
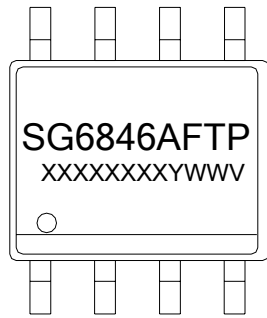


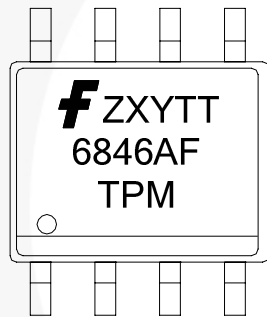
Figure 2. Block Diagram

Marking Information



F: L = OCP Latch
T: S = SOP
P: Z = Lead Free + ROHS Compatible
 Null = regular package
XXXXXXXX: Wafer Lot
Y: Year; **WW**: Week
V: Assembly Location

Figure 3. Top Mark 1



f: Fairchild logo
Z: Plant Code
X: Year Code
Y: Week Code
TT: Die Run Code
F: L = OCP Latch, C = OCP auto-recovery
T: Package type, S = SOP
P: Y = Green Package
M: Manufacturing flow code

Figure 4. Top Mark 2 *

*The "Top Mark 2" is the updated mark.



Pin Configuration

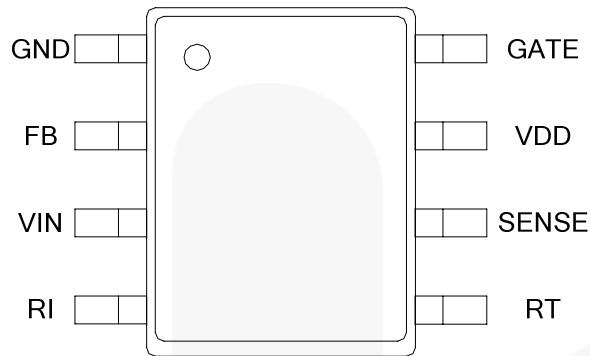


Figure 5. Pin Configuration

Pin Definitions

Pin #	Name	Function	Description
1	GND	Ground	Ground.
2	FB	Feedback	The signal from the external compensation circuit is fed into this pin. The PWM duty cycle is determined in response to the signal from this pin and the current-sense signal from pin 6.
3	VIN	Line-voltage Detection	Line-voltage detection is used for brownout protection with hysteresis. Constant output power limit over universal AC input range is achieved using this pin. Add a low-pass filter to filter out line ripple on the bulk capacitor.
4	RI	Reference Setting	A resistor from the RI pin to ground generates a reference current source that determines the switching frequency. Increasing the resistance reduces the switching frequency. A 26kΩ resistor results in a 65kHz switching frequency.
5	RT	Temperature Detection	For over-temperature protection, an external NTC thermistor is connected from this pin to the GND pin. The impedance of the NTC decreases at high temperatures. Once the voltage of the RT pin drops below a threshold, PWM output is disabled.
6	SENSE	Current Sense	The sensed voltage is used for peak-current-mode control and cycle-by-cycle current limiting. If the switching current is higher than OCP threshold and lasts for 1700ms, SG6846A turns off immediately. This two-level OCP feature is especially suitable for SMPS with surge current output.
7	VDD	Power Supply	If an open-circuit failure occurs in the feedback loop, the internal protection circuit disables PWM output as long as V _{DD} exceeds a threshold.
8	GATE	Driver Output	The totem-pole output driver for the power MOSFET; internally clamped below 18V.

Absolute Maximum Ratings

Stresses exceeding the absolute maximum ratings may damage the device. The device may not function or be operable above the recommended operating conditions and stressing the parts to these levels is not recommended. In addition, extended exposure to stresses above the recommended operating conditions may affect device reliability. The absolute maximum ratings are stress ratings only. All voltage values, except differential voltages, are given with respect to GND pin.

Symbol	Parameter	Min.	Max.	Unit
V _{DD}	Supply Voltage		25	V
V _L	Input Voltage to FB, SENSE, VIN, RT, RI Pins	-0.3	7.0	V
P _D	Power Dissipation at T _A <50°C		400	mW
Θ _{JC}	Thermal Resistance Junction-to-Case		54.4	°C/W
T _J	Operating Junction Temperature	-40	+150	°C
T _{STG}	Storage Temperature Range	-65	+150	°C
T _L	Lead Temperature, Wave Soldering, 10 Seconds		+260	°C
ESD	Human Body Model, JESD22-A114		5.0	kV
	Charge Device Model, JESD22-C101		1.5	

Recommended Operating Conditions

The Recommended Operating Conditions table defines the conditions for actual device operation. Recommended operating conditions are specified to ensure optimal performance to the datasheet specifications. Fairchild does not recommend exceeding them or designing to Absolute Maximum Ratings.

Symbol	Parameter	Min.	Max.	Unit
T _A	Operating Ambient Temperature	-40	+105	°C

Electrical Characteristics

$V_{DD} = 15V$ and $T_A = 25^\circ C$ unless otherwise noted.

Symbol	Parameter	Test Condition	Min.	Typ.	Max.	Unit
V_{DD} Section						
V_{DD-OP}	Continuously Operating Voltage				20	V
V_{DD-ON}	Turn-on Threshold Voltage		15.5	16.5	17.5	V
V_{DD-OFF}	Turn-off Voltage		9.5	10.5	11.5	V
V_{DD-SCP}	Threshold voltage on VDD for Short-Circuit Protection		$V_{DD-OFF} + 0.5V$	$V_{DD-OFF} + 1.0V$	$V_{DD-OFF} + 1.5V$	V
V_{DD-LH}	Threshold Voltage for Latch-off Release		3	4	5	V
I_{DD-ST}	Startup Current	$V_{DD-ON} - 0.16V$		8	30	μA
I_{DD-OP}	Operating Supply Current	GATE Open		3.7	5.0	mA
V_{DD-OVP}	V _{DD} Over-Voltage Protection (Latch off)		22.6	23.6	24.6	V
$t_{D-VDDOVP}$	V _{DD} OVP Debounce Time	$R_I = 26k\Omega$	60	100	140	μs
I_{DD-OVP}	V _{DD} OVP Latch-off Holding Current	$V_{DD} = 5V$	30	50	70	μA
V_{IN} Section						
V_{IN-OFF}	PWM Turn-off Threshold Voltage		0.65	0.70	0.75	V
V_{IN-ON}	PWM Turn-on Threshold Voltage		$V_{IN-OFF} + 0.18$	$V_{IN-OFF} + 0.20$	$V_{IN-OFF} + 0.22$	V
Feedback Input Section						
A_V	Input-Voltage to Current-Sense Attenuation		1/3.5	1/4.0	1/4.5	V/V
Z_{FB}	Input Impedance		4.0	5.5	7.0	k Ω
V_{FBO}	FB Pin Open Voltage		5.2	6.2	6.6	V
V_{FB-OLP}	Threshold Voltage of Open-loop Protection		4.7	5.2	5.7	V
t_{D-OLP}	Open-loop Protection Delay Time	$R_I = 26k\Omega$	1600	1700	1800	ms
Current Sense Section						
Z_{SENSE}	Input Impedance			12		k Ω
t_{PD}	Delay to Output			100	250	ns
t_{LEB}	Leading-edge Blanking Time		270	360		ns
V_{SLOPE}	Slope Compensation	Duty = DCY_{MAX}	0.30	0.33	0.36	V
V_{STH1V}	Threshold Voltage for Current Limit	$V_{IN} = 1V$	0.80	0.83	0.86	V
V_{STH3V}	Threshold Voltage for Current Limit	$V_{IN} = 3V$	0.67	0.70	0.73	V
$V_{STH1V-2/3}$	OCP Threshold Voltage for Current Limit	$V_{IN} = 1V$	0.58	0.61	0.64	V
$V_{STH3V-2/3}$	OCP Threshold Voltage for Current Limit	$V_{IN} = 3V$	0.48	0.51	0.54	V
t_{D-OCP}	Delay Time for Over-Current Protection	$R_I = 26k\Omega$	1600	1700	1800	ms
t_{D-SCP}	Delay Time for Output Short-Circuited Protection	$R_I = 26k\Omega$; $V_{DD} < V_{DD-SCP}$	90	100	110	ms
$t_{SS-65KHz}$	Period During Startup Time	$R_I = 26k\Omega$	4.5	5.0	5.5	ms
$t_{SS-130KHz}$		$R_I = 13k\Omega$	2.25	2.50	2.75	ms

Continued on following page...

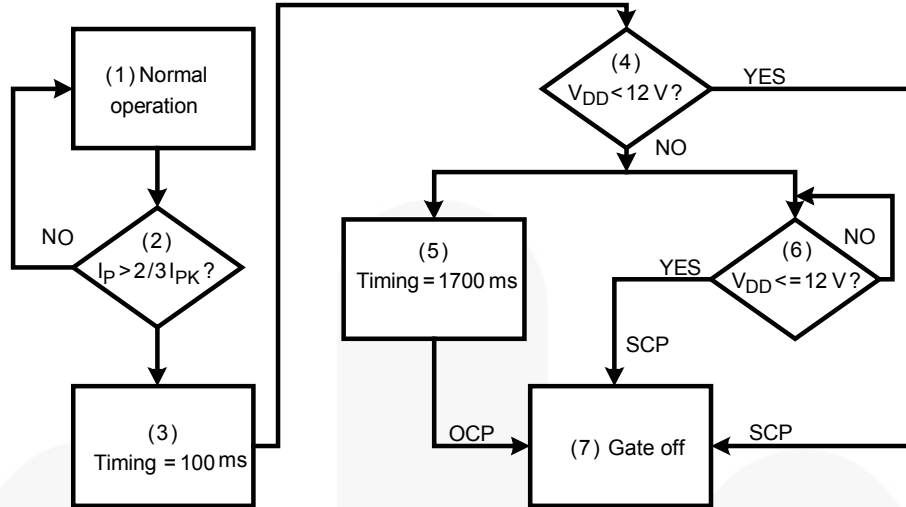


Figure 6. SG6846A OCP/SCP Logic Flow Diagram

Electrical Characteristics (Continued)

V_{DD} = 15V and T_A = 25°C unless otherwise noted.

Symbol	Parameter		Test Condition	Min.	Typ.	Max.	Unit
Oscillator Section							
f _{OSC}	Normal PWM Frequency	Center Frequency	R _I = 26kΩ, V _{FB} > V _N	62	65	68	kHz
		Jitter Range		±3.7	±4.2	±4.7	
f _{OSC,MAX}	Maximum PWM Frequency	Center Frequency	R _I = 13kΩ, V _{FB} > V _N	124	130	136	kHz
		Jitter Range		±7.4	±8.4	±9.4	
f _{OSC,MIN}	Minimum PWM Frequency	Center Frequency	R _I = 36kΩ, V _{FB} > V _N	44.8	47.0	49.2	kHz
		Jitter Range		±2.54	±2.90	±3.26	
t _{hop-1}	Jitter Period		R _I = 26kΩ, V _{FB} ≥ V _N	3.9	4.4	4.9	ms
t _{hop-3}			R _I = 26kΩ, V _{FB} = V _G	10.2	11.5	12.8	
f _{OSC-G}	Green-Mode Minimum Frequency		R _I = 26kΩ	18.0	22.5	25.0	kHz
V _{FB-N}	FB Pin Frequency Reduction Threshold	Pin, FB voltage	R _I = 26kΩ, V _{FB} = V _N	1.9	2.1	2.3	V
		Jitter Range		3.7	4.2	4.7	KHz
V _{FB-G}	FB Voltage at f _{OSC-G}	Pin, FB voltage	R _I = 26kΩ, V _{FB} = V _G	1.4	1.6	1.8	V
		Jitter Range		1.27	1.45	1.62	KHz
S _G	Slope for Green-Mode Modulation		R _I = 26kΩ		85		Hz/mV
f _{DV}	Frequency Variation vs. V _{DD} Deviation		V _{DD} = 11.5V to 20V			5	%
f _{DT}	Frequency Variation vs. Temperature Deviation		T _A = -30 to 85°C		1.5	5.0	%

Continued on following page...

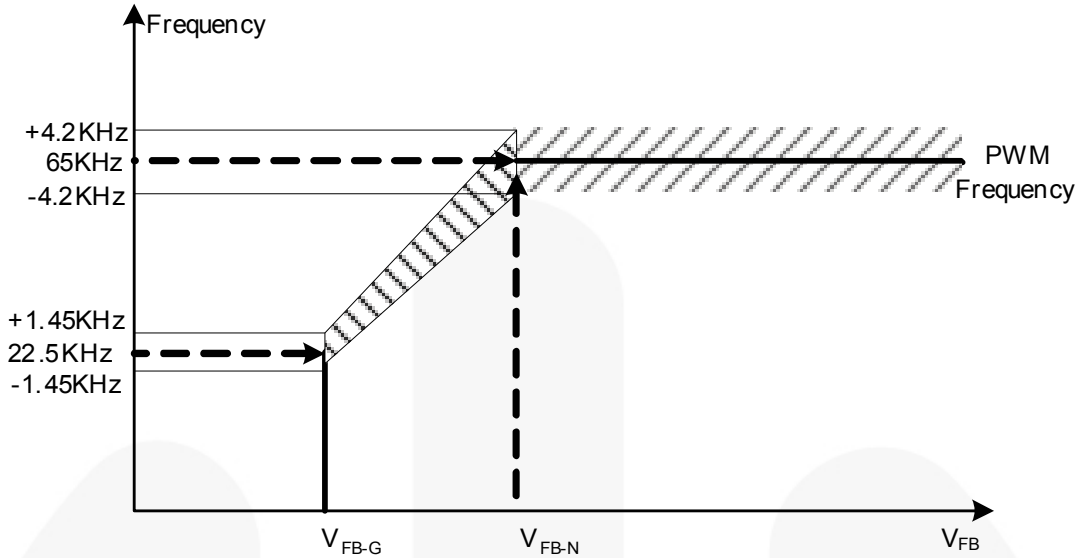


Figure 7. PWM Frequency

Electrical Characteristics (Continued)

V_{DD} = 15V and T_A = 25°C unless otherwise noted.

Symbol	Parameter	Test Condition	Min.	Typ.	Max.	Unit
PWM Output Section						
DCY _{MAX}	Maximum Duty Cycle		80	85	90	%
V _{OL}	Output Voltage Low	V _{DD} = 15V, I _O = 50mA			1.5	V
V _{OH}	Output Voltage High	V _{DD} = 12V, I _O = 50mA	8			V
t _R	Rising Time	GATE = 1nF		350		ns
t _F	Falling Time	GATE = 1nF		50		ns
V _{CLAMP}	Gate Output Clamping Voltage	V _{DD} = 20V			18	V
Over-Temperature Protection (OTP) Section⁽¹⁾						
I _{RT}	Output Current of RT Pin	R _I = 26kΩ	64	70	76	μA
V _{RTTH}	Threshold Voltage for OTP		1.015	1.065	1.115	V
t _{DOTP-LATCH}	Over-Temperature Latch-off Debounce	R _I = 26kΩ		100		ms
R _{RT-OFF}	Equivalent Impedance of RT for OTP ⁽¹⁾	R _I = 26kΩ	14	15	16	kΩ
R_I Section						
R _{I-NOR}	R _I Operating Range		13		36	kΩ
R _{I-MAX}	Maximum R _I Value for Protection		10			MΩ
R _{I-MIN}	Minimum R _I Value for Protection				6	kΩ

Note:

1. The relationship between R_{RT-OFF} and R_I is: $R_{RT-OFF} = V_{OTP-LATCH-OFF} / I_{RT} = V_{RT} / (70\mu A \times 26 / R_I (K\Omega))$ (1)

Typical Performance Characteristics

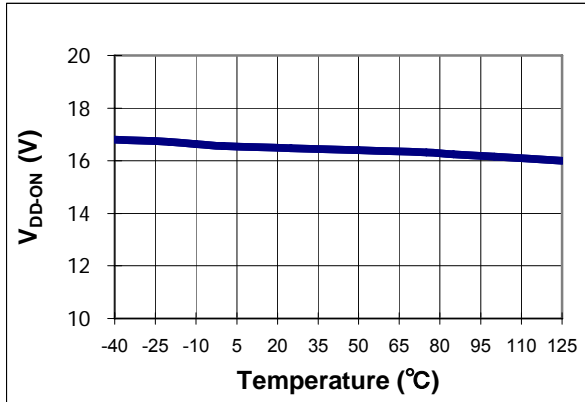


Figure 8. Turn-on Threshold Voltage (V_{DD-ON}) vs. Temperature

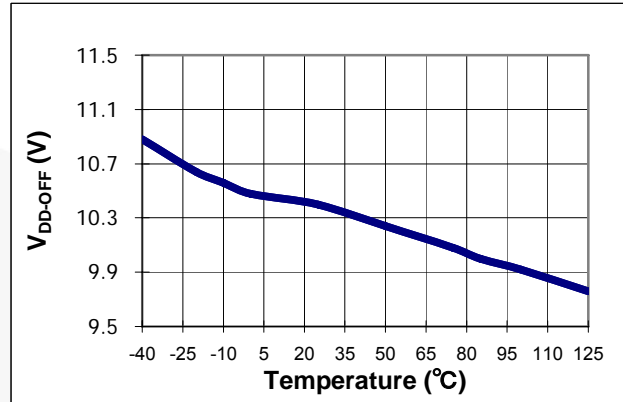


Figure 9. Turn-off Threshold Voltage (V_{DD-OFF}) vs. Temperature

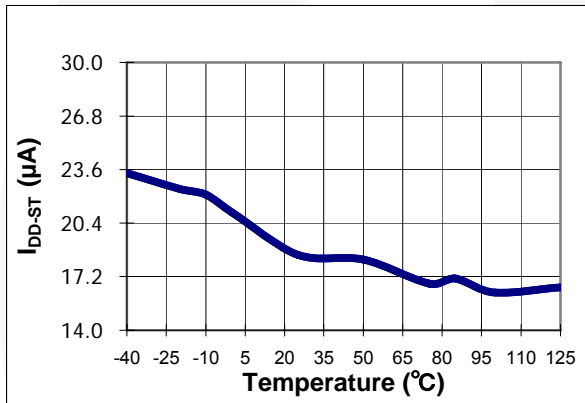


Figure 10. Startup Current (I_{DD-ST}) vs. Temperature

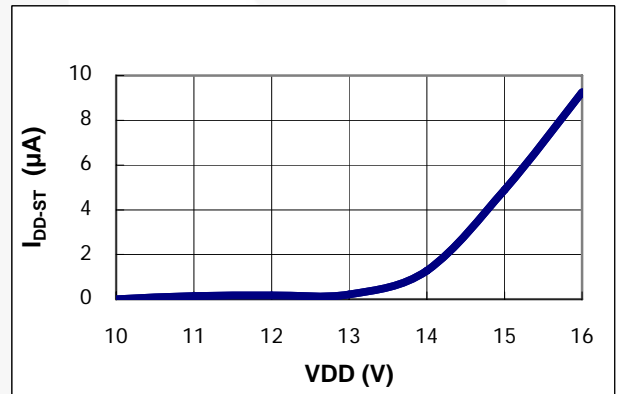


Figure 11. Startup Current vs. V_{DD} Voltage

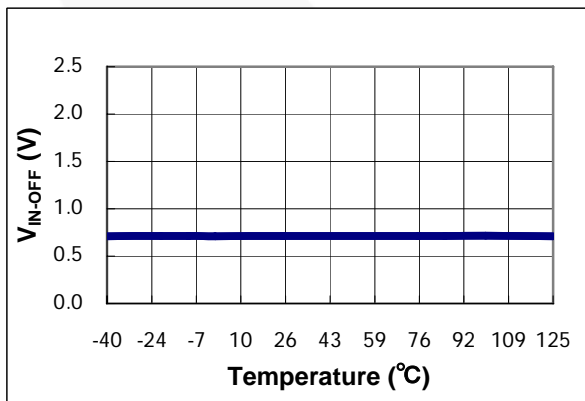


Figure 12. PWM Turn-off Threshold Voltage (V_{IN-OFF}) vs. Temperature

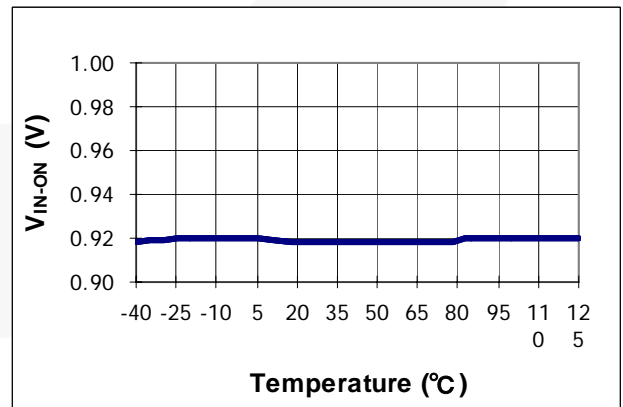


Figure 13. PWM Turn-on Threshold Voltage (V_{IN-ON}) vs. Temperature

Typical Performance Characteristics (Continued)

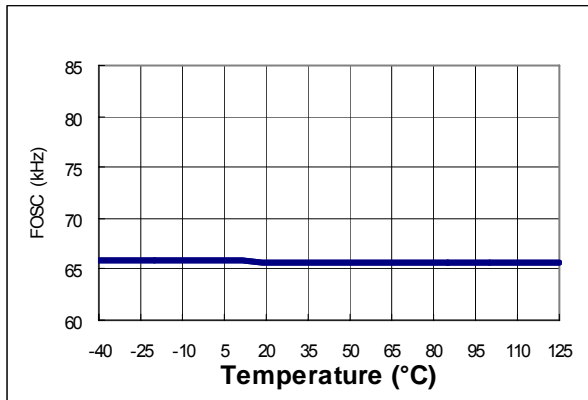


Figure 14. Normal PWM Frequency (fosc) vs. Temperature

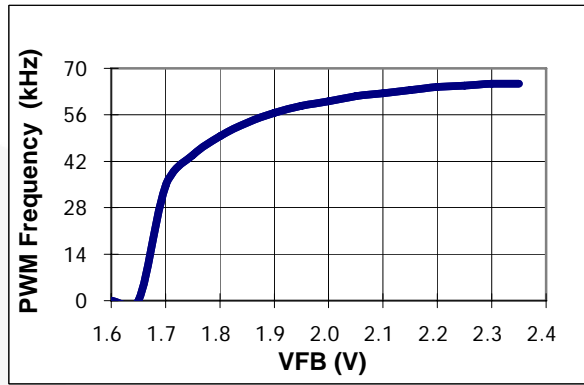


Figure 15. PWM Frequency vs. FB Voltage

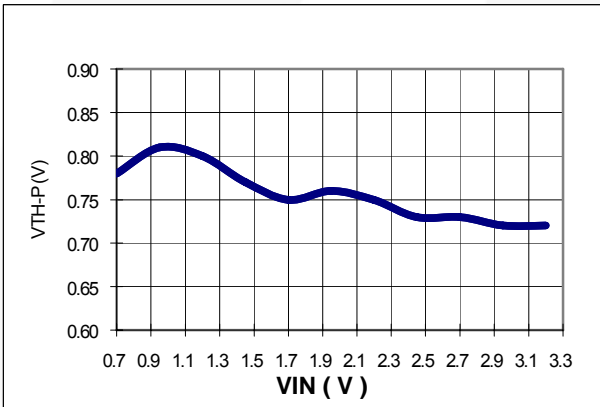


Figure 16. Current-Limit Threshold vs. VIN Voltage

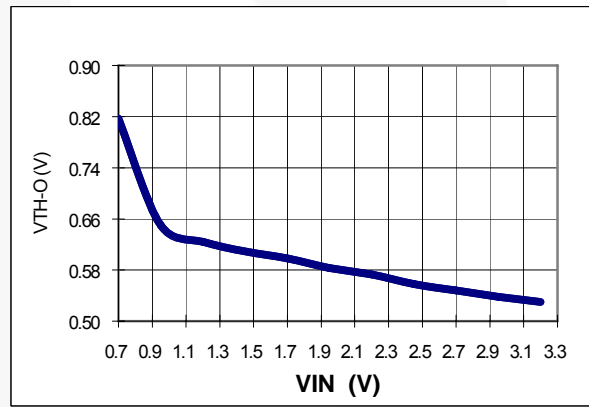


Figure 17. 2/3 Current-Limit Threshold vs. VIN Voltage

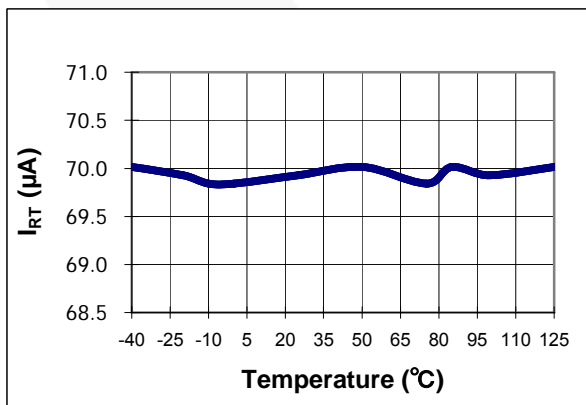


Figure 18. Output Current of RT Pin (IRT) vs. Temperature

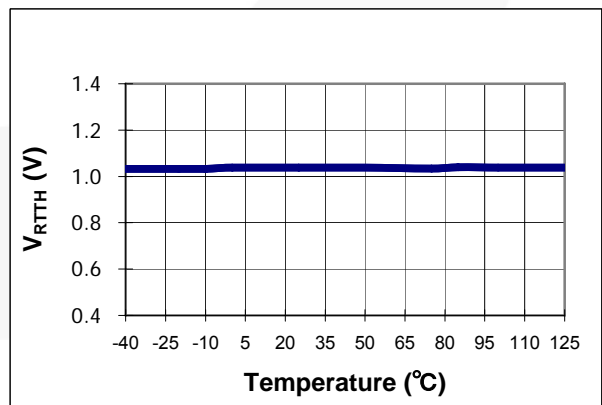


Figure 19. FB Output High Voltage (VRTTH) vs. Temperature

Operation Description

Startup Operation

The turn-on/turn-off thresholds are fixed internally at 16.5V and 10.5V. To enable the SG6846A during startup, the hold-up capacitor must first be charged to 16.5V through the startup resistor.

The hold-up capacitor continues to supply V_{DD} before energy can be delivered from the auxiliary winding of the main transformer. The V_{DD} must not drop below 10.5V during this startup process. This UVLO hysteresis window ensures that the hold-up capacitor can adequately supply V_{DD} during startup.

The typical startup current is only 8 μ A, which allows a high-resistance, low-wattage startup resistor to be used. For constant output power limit over a universal input-voltage range, the peak-current threshold is adjusted by the voltage of the V_{IN} pin. Since the V_{IN} pin is connected to the rectified AC input line voltage through the resistive divider, a higher line voltage generates a higher V_{IN} voltage. The threshold voltage decreases as the V_{IN} increases, making the maximum output power at high line input voltage equal to that at low line input. The value of R-C network should not be so large it affects the power limit (shown in Figure 20). R and C should put on less than 300 Ω and 1000pF, respectively, to minimize power loss. A 1.5M Ω /0.25W startup resistor and a 10 μ F/25V V_{DD} hold-up capacitor are sufficient for a universal input range.

The required operating current has been reduced to 3.7mA, which enables higher efficiency and reduces the V_{DD} hold-up capacitance requirement.

Green-Mode Operation

The proprietary green-mode function provides off-time modulation to continuously decrease the switching frequency under light-load conditions. Maximum on-time is limited to provide protection against abnormal conditions. To further reduce power consumption under zero-load condition, the PWM oscillator is completely turned off and the power supply enters burst-mode. This green mode dramatically reduces power consumption under light-load and zero-load conditions. Power supplies using SG6846A can meet restrictive international regulations regarding standby power consumption.

Oscillator Operation

A resistor connected from the R_I pin to GND generates a reference current source, inside the SG6846A, used to determine the PWM frequency. Increasing the resistance decreases the amplitude of the current source and reduces the PWM frequency. Using a 26k Ω resistor results in a corresponding 65kHz switching frequency. The relationship between R_I and the switching frequency is:

$$f_{\text{PWM}}(\text{kHz}) = \frac{1690}{R_I(\text{k}\Omega)} \quad (2)$$

If an open-circuit or short-circuit to ground occurs at the R_I pin, the internal protection circuit immediately shuts down the controller.

Two-level Over-current Protection (OCP)

The cycle-by-cycle current limiting shuts down the PWM immediately when the switching current is over the peak-current threshold. Additionally, when the switching current is higher than the over-current threshold, the internal counter counts down. When the total accumulated counting time is more than ~1600ms ($R_I = 26\text{k}\Omega$), the controller is latched off and the internal counter counts up. When the switching current is lower than the over-current threshold, the internal counter counts down. When the total accumulated counting time is more than ~1600ms ($R_I = 26\text{k}\Omega$), the controller is latched off.

This two-level OCP protection and up/down counter are especially designed for SMPS with surge current output, such as those for printers, scanners, and motor drivers.

Constant Output Power Limit

For constant output power limit over universal input-voltage range, the peak-current threshold is adjusted by the voltage of the V_{IN} pin. Since the V_{IN} pin is connected to the rectified AC input line voltage through the resistive divider, a higher line voltage generates a higher V_{IN} voltage. The threshold voltage decreases as V_{IN} increases, making the maximum output power at high-line input voltage equal to that at low-line input.

Brownout Protection

Since the V_{IN} pin is connected through a resistive divider to the rectified AC input line voltage, it can also be used for brownout protection. If the V_{IN} voltage is less than 0.7V, the PWM output is shut off. If the V_{IN} is over 0.9V, the PWM output is turned on again. The hysteresis window for on/off is ~0.2V.

V_{DD} Over-voltage Protection (OVP)

V_{DD} over-voltage protection is built in to prevent damage. If V_{DD} is over 23.6V, SG6846A is latched off.

Over-Temperature Protection (OTP)

An external NTC thermistor can be connected from the R_T pin to GND. The impedance of the NTC decreases at high temperatures. When the voltage of the R_T pin drops below 1.05V, the SG6846A is turned off. For protection-mode options, see *Ordering Information*.

Operation Description (Continued)

Noise Immunity

Noise from the current sense or the control signal may cause significant pulse-width jitter, particularly in continuous-conduction mode. Slope compensation helps alleviate this problem. Good placement and layout practices should be followed. Avoid long PCB traces and component leads. Compensation and filter components should be located near the SG6846A.

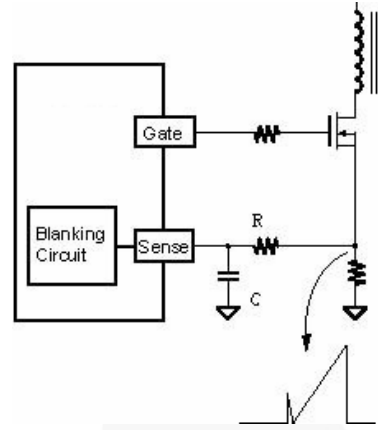


Figure 20. Current Sense R-C Filter

Reference Circuit

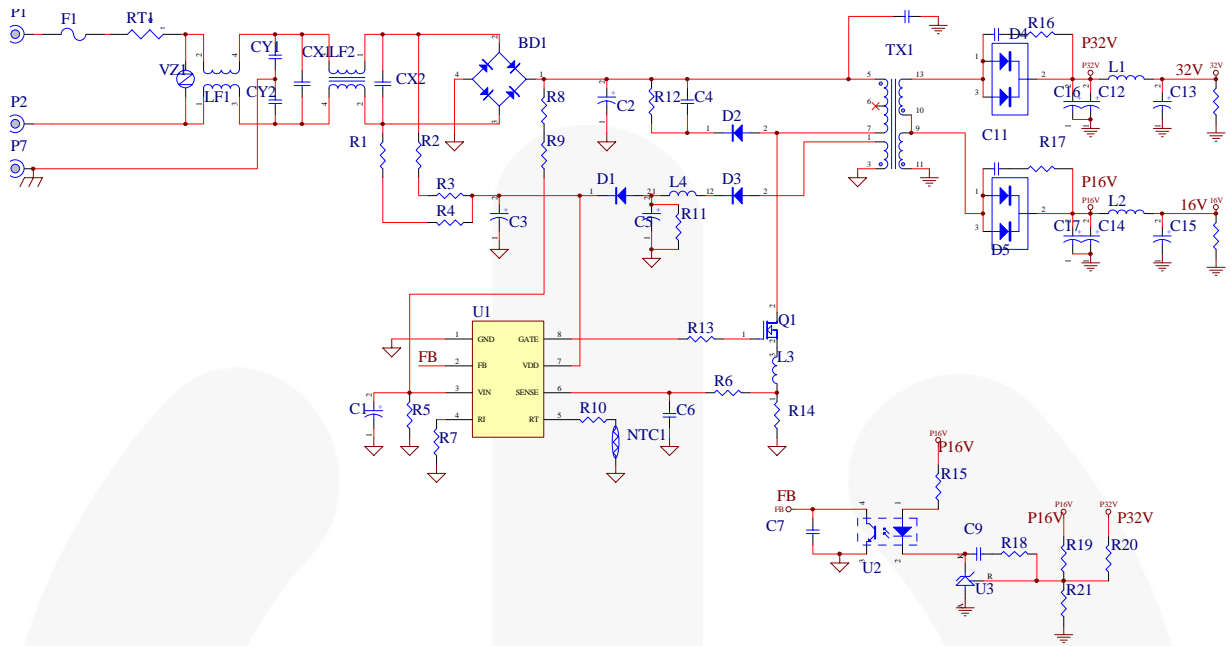


Figure 21. Application Circuit for 32V / 16V Output

BOM

Part No.	Value	Part No.	Value	Part No.	Value
R1, R2, R3, R4	470KΩ +/-5%	C4	103 P 630V	D3	FR103 1.0A 200V
R8, R9	51MΩ +/-1%	C10,C11	102 P 1KV	BD1	DBL406G
R5	16K2Ω +/-1%	C6,C7	102 P 50V	D4	BYT28-300
R15	1K5Ω +/-5%	C9	222 P 50V	D5	BYV32-150
R13	10Ω +/-5%	C14,C17	470μ 25V	F1	250V4A QUICK
R18	4K7Ω +/-5%	C15	220μ 25V	L1,L2	1.8μH
R21	15KΩ +/-1%	C13,C16	220μ 50V	L4	10μH
R7	27KΩ +/-5%	C2	150μ 400V	U3	TL431 +/-1%
R6	330Ω +/-1%	C1	4.7μ 50V	U1	SG 6846
R19	102KΩ +/-1%	C3	10μ 50V	U2	PC817
R14	0Ω22 +/-5%	CX1	X1 0.47μ 275V	Q1	7NB60
R16, R17	1W 20Ω +/-5%	C8	Y2 222P 250V	TX1	EI-33
R11	20KΩ +/-5%	C5	100μ 50V	RT1	SCK053
R12	100KΩ +/-5%	CX2	X2 0.1μF 275V	VZ1	14ψ 470V
R20	887KΩ +/-1%	D1	1N4148		
R22	10KΩ +/-1%	D2	BYV95C		

Physical Dimensions

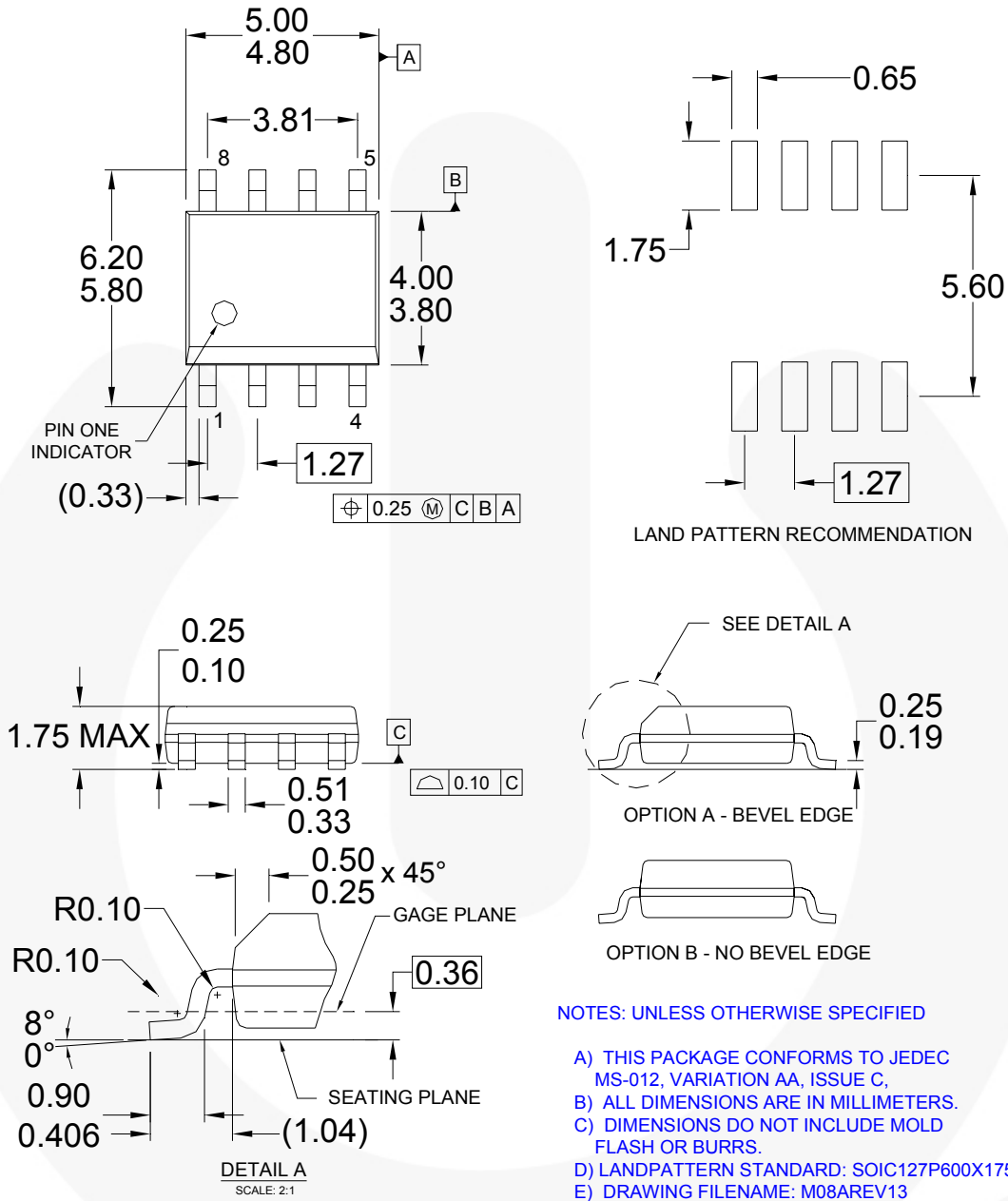


Figure 22. 8-Pin Small Outline Package (SOP)







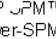
Package drawings are provided as a service to customers considering Fairchild components. Drawings may change in any manner without notice. Please note the revision and/or date on the drawing and contact a Fairchild Semiconductor representative to verify or obtain the most recent revision. Package specifications do not expand the terms of Fairchild's worldwide terms and conditions, specifically the warranty therein, which covers Fairchild products.

Always visit Fairchild Semiconductor's online packaging area for the most recent package drawings:
<http://www.fairchildsemi.com/packaging/>



TRADEMARKS

The following includes registered and unregistered trademarks and service marks, owned by Fairchild Semiconductor and/or its global subsidiaries, and is not intended to be an exhaustive list of all such trademarks.

- | | | | |
|---|---|---|---|
| Build it Now™ | F-PFS™ | PowerTrench® | The Power Franchise® |
| CorePLUS™ | FRFET® | Programmable Active Droop™ |  |
| CorePOWER™ | Global Power Resource SM | QFET® | TinyBoost™ |
| CROSSVOLT™ | Green FPST™ | QST™ | TinyBuck™ |
| CTL™ | Green FPST™ e-Series™ | Quiet Series™ | TinyLogic® |
| Current Transfer Logic™ | GTO™ | RapidConfigure™ | TINYOPTO™ |
| EcoSPARK® | IntelliMAX™ |  | TinyPower™ |
| EfficientMax™ | ISOPLANAR™ | Saving our world, 1mW/W/kW at a time™ | TinyPWM™ |
| EZSWTCH™ * | MegaBuck™ | SmartMax™ | TinyWire™ |
|  | MICROCOUPLER™ | SMART START™ | μSerDes™ |
|  | MicroFET™ | SPM® |  |
| Fairchild® | MicroPak™ | STEALTH™ | UHC® |
| Fairchild Semiconductor® | MillerDrive™ | SuperFET™ | Ultra FRFET™ |
| FACT Quiet Series™ | MotionMax™ | SuperSOT™.3 | UniFET™ |
| FACT® | Motion-SPM™ | SuperSOT™.6 | Vcx™ |
| FAST® | OPTOLOGIC® | SuperSOT™.8 | VisualMax™ |
| FastvCore™ | OPTOPLANAR® | SupreMOS™ | |
| FlashWriter® * |  | SyncFET™ | |
| FPS™ | PDP μPM™ |  | |
| | Power-SPM™ | | |

* EZSWTCH™ and FlashWriter® are trademarks of System General Corporation, used under license by Fairchild Semiconductor.

DISCLAIMER

FAIRCHILD SEMICONDUCTOR RESERVES THE RIGHT TO MAKE CHANGES WITHOUT FURTHER NOTICE TO ANY PRODUCTS HEREIN TO IMPROVE RELIABILITY, FUNCTION, OR DESIGN. FAIRCHILD DOES NOT ASSUME ANY LIABILITY ARISING OUT OF THE APPLICATION OR USE OF ANY PRODUCT OR CIRCUIT DESCRIBED HEREIN; NEITHER DOES IT CONVEY ANY LICENSE UNDER ITS PATENT RIGHTS, NOR THE RIGHTS OF OTHERS. THESE SPECIFICATIONS DO NOT EXPAND THE TERMS OF FAIRCHILD'S WORLDWIDE TERMS AND CONDITIONS, SPECIFICALLY THE WARRANTY THEREIN, WHICH COVERS THESE PRODUCTS.

LIFE SUPPORT POLICY

FAIRCHILD'S PRODUCTS ARE NOT AUTHORIZED FOR USE AS CRITICAL COMPONENTS IN LIFE SUPPORT DEVICES OR SYSTEMS WITHOUT THE EXPRESS WRITTEN APPROVAL OF FAIRCHILD SEMICONDUCTOR CORPORATION.

As used herein:

- Life support devices or systems are devices or systems which, (a) are intended for surgical implant into the body or (b) support or sustain life, and (c) whose failure to perform when properly used in accordance with instructions for use provided in the labeling, can be reasonably expected to result in a significant injury of the user.
- A critical component in any component of a life support, device, or system whose failure to perform can be reasonably expected to cause the failure of the life support device or system, or to affect its safety or effectiveness.

ANTI-COUNTERFEITING POLICY

Fairchild Semiconductor Corporation's Anti-Counterfeiting Policy. Fairchild's Anti-Counterfeiting Policy is also stated on our external website, www.fairchildsemi.com, under Sales Support.

Counterfeiting of semiconductor parts is a growing problem in the industry. All manufacturers of semiconductor products are experiencing counterfeiting of their parts. Customers who inadvertently purchase counterfeit parts experience many problems such as loss of brand reputation, substandard performance, failed applications, and increased cost of production and manufacturing delays. Fairchild is taking strong measures to protect ourselves and our customers from the proliferation of counterfeit parts. Fairchild strongly encourages customers to purchase Fairchild parts either directly from Fairchild or from Authorized Fairchild Distributors who are listed by country on our web page cited above. Products customers buy either from Fairchild directly or from Authorized Fairchild Distributors are genuine parts, have full traceability, meet Fairchild's quality standards for handling and storage and provide access to Fairchild's full range of up-to-date technical and product information. Fairchild and our Authorized Distributors will stand behind all warranties and will appropriately address any warranty issues that may arise. Fairchild will not provide any warranty coverage or other assistance for parts bought from Unauthorized Sources. Fairchild is committed to combat this global problem and encourage our customers to do their part in stopping this practice by buying direct or from authorized distributors.

PRODUCT STATUS DEFINITIONS

Definition of Terms

Datasheet Identification	Product Status	Definition
Advance Information	Formative / In Design	Datasheet contains the design specifications for product development. Specifications may change in any manner without notice.
Preliminary	First Production	Datasheet contains preliminary data; supplementary data will be published at a later date. Fairchild Semiconductor reserves the right to make changes at any time without notice to improve design.
No Identification Needed	Full Production	Datasheet contains final specifications. Fairchild Semiconductor reserves the right to make changes at any time without notice to improve the design.
Obsolete	Not In Production	Datasheet contains specifications on a product that is discontinued by Fairchild Semiconductor. The datasheet is for reference information only.

Rev. I36