

# DATA SHEET

## **SAA9740H**

### **Advanced Auto Control Function (A2CF)**

Product specification  
Supersedes data of 1996 Jan 30  
File under Integrated Circuits, IC02

1996 Oct 10

## Advanced Auto Control Function (A2CF)

## SAA9740H

### FEATURES

- One chip full digital Auto Focus (AF), Auto Exposure (AE) and Auto White Balance (AWB)
- Possible to use NTSC and PAL CCD with horizontal resolution of 510, 670, 720 or 768 pixels
- No manual adjustment
- One microprocessor system commonly used with CAMera Digital Signal Processor (CAMDSP) SAA9750H
- 8-bit parallel microprocessor interface
- LQFP64 package (0.5 mm pitch)
- Single 3 V power supply.

### Auto Focus features

- Video AF system
- Two windows system (a small centre and large window)
- The window size and place are microprocessor controlled
- Including 5<sup>th</sup> order IIR digital high-pass filter
- Line peak accumulation in the large window
- High-pass filter's output accumulation in one field.

### Auto Exposure features

- 5 windows accumulation
- Calculation of white-clip by centre window
- Possible to control size and place of the centre windows by the light condition with microprocessor.

### Auto White Balance features

- Mono colour detection
- Accumulation of UV data in the corresponding UV quadrant
- Green and Magenta elimination gate
- Luminance gate for detecting white
- UV limiter
- White-clip detection/counter.

### GENERAL DESCRIPTION

The Advanced Auto Control Function (A2CF) is to be used for a colour CCD camera system. This IC can realize AWB, AF and AE with a microprocessor. This device consists of an input data selector, a parallel 8-bit microprocessor interface, a data accumulator, a window generator, a command decoder and AWB, AF, AE for each processing block.

### QUICK REFERENCE DATA

SYMBOL	PARAMETER	MIN.	TYP.	MAX.	UNIT
V <sub>DD</sub>	digital supply voltage (pins 6, 18 and 47)	2.7	3.0	3.3	V
V <sub>IL</sub>	LOW level digital input voltage	0	–	0.3V <sub>DD</sub>	V
V <sub>IH</sub>	HIGH level digital input voltage	0.7V <sub>DD</sub>	–	V <sub>DD</sub>	V
V <sub>OL</sub>	LOW level digital output voltage	–	–	0.5	V
V <sub>OH</sub>	HIGH level digital output voltage	V <sub>DD</sub> – 0.5	–	–	V
T <sub>amb</sub>	operating ambient temperature	–20	–	+70	°C

### ORDERING INFORMATION

TYPE NUMBER	PACKAGE		
	NAME	DESCRIPTION	VERSION
SAA9740H	LQFP64	plastic low profile quad flat package; 64 leads; body 10 × 10 × 1.4 mm	SOT314-2

# Advanced Auto Control Function (A2CF)

## SAA9740H

### BLOCK DIAGRAM

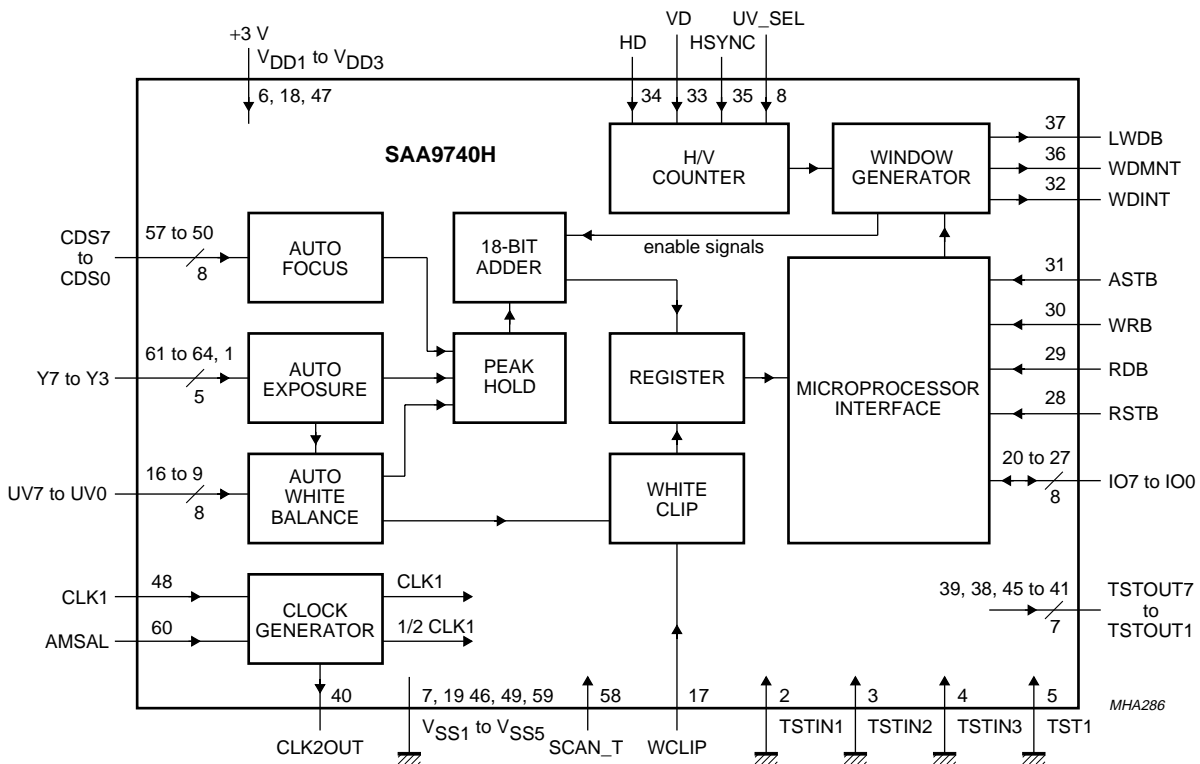


Fig.1 Block diagram.

## Advanced Auto Control Function (A2CF)

## SAA9740H

## PINNING

SYMBOL	PIN	TYPE	DESCRIPTION
Y3	1	input	Y input from SAA9750H (CAMDSP) (LSB)
TSTIN1	2	input	input pin for test
TSTIN2	3	input	input pin for test
TSTIN3	4	input	input pin for test
TST1	5	input	input pin for test
V <sub>DD1</sub>	6	–	digital supply voltage
V <sub>SS1</sub>	7	–	ground
UV_SEL	8	input	UV select input from SAA9750H (CAMDSP)
UV0	9	input	UV input from SAA9750H (CAMDSP) (LSB)
UV1	10	input	UV input from SAA9750H (CAMDSP)
UV2	11	input	UV input from SAA9750H (CAMDSP)
UV3	12	input	UV input from SAA9750H (CAMDSP)
UV4	13	input	UV input from SAA9750H (CAMDSP)
UV5	14	input	UV input from SAA9750H (CAMDSP)
UV6	15	input	UV input from SAA9750H (CAMDSP)
UV7	16	input	UV input from SAA9750H (CAMDSP) (MSB)
WCLIP	17	input	white-clip input from SAA9750H (CAMDSP)
V <sub>DD2</sub>	18	–	digital supply voltage
V <sub>SS2</sub>	19	–	ground
IO7	20	bidirectional	microprocessor interface (MSB)
IO6	21	bidirectional	microprocessor interface
IO5	22	bidirectional	microprocessor interface
IO4	23	bidirectional	microprocessor interface
IO3	24	bidirectional	microprocessor interface
IO2	25	bidirectional	microprocessor interface
IO1	26	bidirectional	microprocessor interface
IO0	27	bidirectional	microprocessor interface (LSB)
RSTB	28	input	system reset
RDB	29	input	read control from microprocessor
WRB	30	input	write control from microprocessor
ASTB	31	input	address set from microprocessor
WDINT	32	output	window interrupt
VD	33	input	V-drive signal input
HD	34	input	H-drive signal input
HSYNC	35	input	HSYNC input
WDMNT	36	output	window monitor for test (open-drain)
LWDB	37	output	large window for test (open-drain)
TSTOUT6	38	output	output pin for test
TSTOUT7	39	output	output pin for test
CLK2OUT	40	output	output pin of internal clock (open-drain)

## Advanced Auto Control Function (A2CF)

## SAA9740H

SYMBOL	PIN	TYPE	DESCRIPTION
TSTOUT1	41	output	output pin for test
TSTOUT2	42	output	output pin for test
TSTOUT3	43	output	output pin for test
TSTOUT4	44	output	output pin for test
TSTOUT5	45	output	output pin for test
V <sub>SS3</sub>	46	–	ground
V <sub>DD3</sub>	47	–	digital supply voltage
CLK1	48	input	clock
V <sub>SS4</sub>	49	–	ground
CDS0	50	input	CDS input from ADC (LSB)
CDS1	51	input	CDS input from ADC
CDS2	52	input	CDS input from ADC
CDS3	53	input	CDS input from ADC
CDS4	54	input	CDS input from ADC
CDS5	55	input	CDS input from ADC
CDS6	56	input	CDS input from ADC
CDS7	57	input	CDS input from ADC (MSB)
SCAN_T	58	input	test control for scan test
V <sub>SS5</sub>	59	–	ground
AMSAL	60	input	for testing
Y7	61	input	Y input from SAA9750H (CAMDSP) (MSB)
Y6	62	input	Y input from SAA9750H (CAMDSP)
Y5	63	input	Y input from SAA9750H (CAMDSP)
Y4	64	input	Y input from SAA9750H (CAMDSP)

Advanced Auto Control Function (A2CF)

SAA9740H

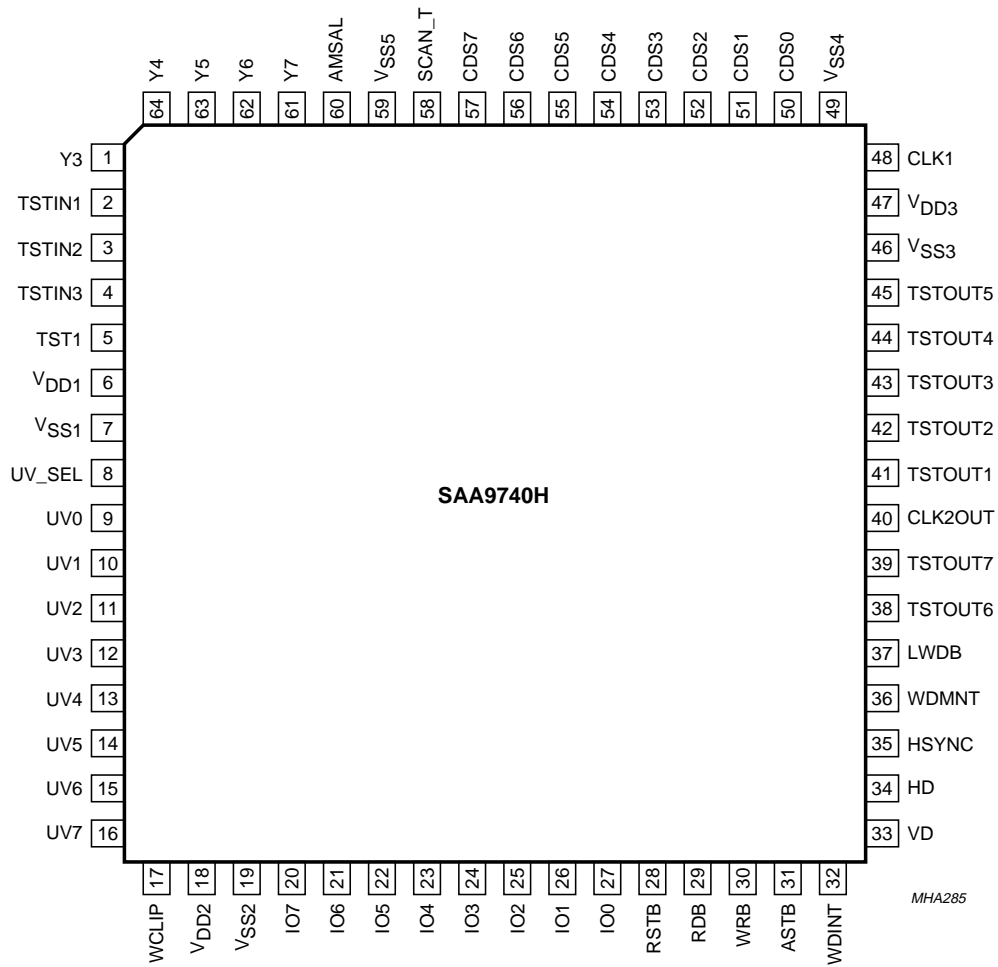


Fig.2 Pin configuration.

# Advanced Auto Control Function (A2CF)

# SAA9740H

## FUNCTIONAL DESCRIPTION

The Advanced Auto Control Function (A2CF) will be used for colour CCD camera systems.

The input signals are CDS (AF data) from 8-bit ADC, Y (for AE, 5-bit) and UV (for AWB, 8-bit) data as the output of SAA9750H (CAMDSP) and they are fed into the A2CF. After being processed in the A2CF, corresponding data are led into the microprocessor.

Together with the zoom encoder and focus sensor output the microprocessor does the following control with the data of A2CF:

- Control focus motor
- Control iris, AGC (via DAC) and high speed shutter
- Send the control data to SAA9750H (CAMDSP) via serial bus.

CLK1 is depending on the CCD type. To cope with the different CCD clocks, some reference data have to be set by the microprocessor.

## AF system

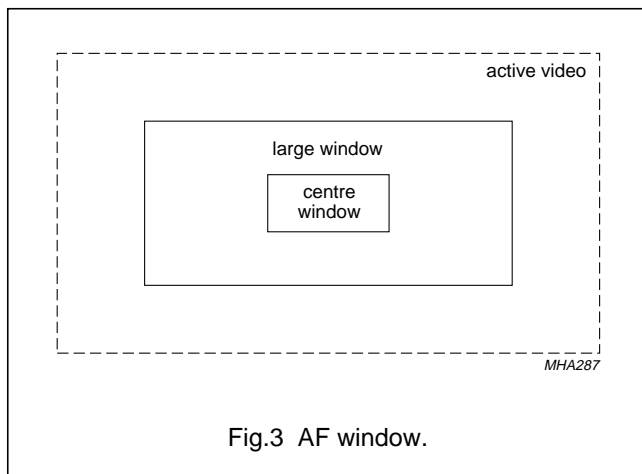


Fig.3 AF window.

Digital CDS signals CDS7 to CDS0 which come after AGC, gamma processing and ADC are fed into A2CF. This 8-bit data is shifted to the most suitable 6-bit data for AF processing by microprocessor. For example, when the MSB of them is '1' then the 6-bit data is shifted by the microprocessor to CDS7 to CDS2 (not CDS6 to CDS1 or CDS5 to CDS0; see Table 4). After AF shifting the signals go through an LPF and they are down sampled. The down sampling is done by CLK2 (CLK1/2). In order to detect the high frequency component for AF processing, one HPF is added. This output is the focus value. Next peak hold block is for acquiring maximum focus value of every line in one field.

This maximum focus value is accumulated in the AF window (see Fig.3) by the 18-bit adder. The values in the large window are stored in REG2 (see Table 7) and those in the small window are stored in REG3 (see Table 7). Which data is used is dependent on the software (see Tables 6 and 7). Besides this accumulation, line peak accumulation is also done. This data is the maximum value in one field and is stored in REG0 (see Table 7).

## AE system

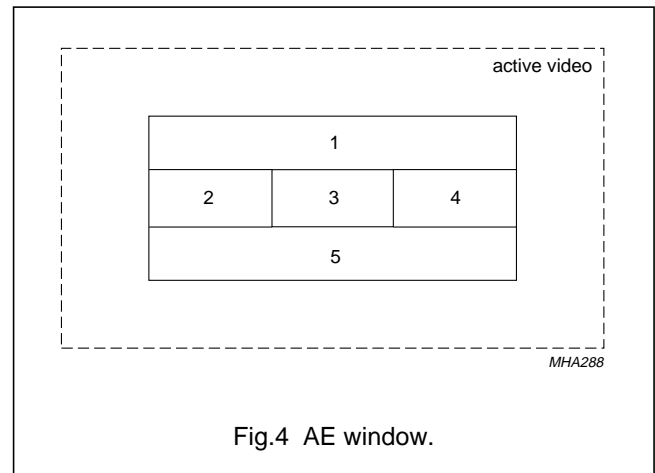


Fig.4 AE window.

5-bit Y signals Y7 to Y3 which come from SAA9750H are fed into A2CF for AE processing. This signal is internally extended to 6 bits by adding a '0' as new MSB. Next they go through an LPF and they are down sampled in the same way as AF processing. In order to prevent overflow of the 18-bit adder block, 2 modes exist (see Table 4). The first is H decimation is **on** or **off**. If H decimation is **on**, then the data for AE processing is available in every other line. The second mode is that the data for AE processing is shifted to 1/2 or not. If the data is shifted to 1/2, it is done before down sampling and before the data going to the 18-bit adder becomes 1/2. Both these modes are controlled by the microprocessor. In AE mode there are 5 windows as shown in Fig.4. These windows are controlled by the microprocessor. The accumulation data in window 1 to window 5 is respectively stored in REG1 to REG5 (see Table 7). The white-clip count data in the centre window is stored to the lower 5 bits of REG0 (see Table 7). The upper 3 bits of REG0 is the overflow information in the 18-bit adder (see Table 7).

## Advanced Auto Control Function (A2CF)

## SAA9740H

**AWB system**

8-bit UV signals UV[7] to UV[0] which come from the SAA9750H (CAMDSP) are fed into the A2CF for AWB processing. First the 8-bit data is limited to 6-bits because the necessary data for AWB processing is around the white colour signal. Then these signals go through an LPF and they are down sampled. They are separated to U and V signals by using UV\_SEL coming from SAA9750H (CAMDSP). As shown in Table 1, in the large window these signals are compared with the threshold that is set by the microprocessor. If the conditions shown in Fig.8 are valid, the data is available for AWB processing. If the conditions aren't valid, the data is ignored. The available data in the first to the 4th quadrant are stored in respectively REG1 to REG4 (see Table 7). The AWB ( $\Delta$ )

mode (see Table 4) is for detecting whether the picture is mono colour or not. If the AWB (B – Y) or AWB (R – Y) or AWB ( $\Delta$ ) (see Table 4) mode is active and white-clip or AWB limited (as mentioned above), then the counts of them are stored in the lower 5 bits of REG0 (see Table 7). In the AWB Y mode the lower 4 bits of REG0 are contrast peak data in one field and the 4th bit is the overflow information of the AF (see Table 7).

**Microprocessor interface**

8-bit data bus and 3 control ports are prepared (WRB, RDB and ASTB) for microprocessor interface in A2CF for quick data access instead of serial bus. A2CF has 11 read commands and 13 write commands.

**LIMITING VALUES**

In accordance with the Absolute Maximum Rating System (IEC 134).

SYMBOL	PARAMETER	MIN.	MAX.	UNIT
$V_{DD}$	supply voltage	-0.5	+5.0	V
$P_{tot}$	total power dissipation	-	83	mW
$V_I$	input voltage	-0.5	$V_{DD} + 0.5$	V
$V_O$	output voltage	-0.5	$V_{DD} + 0.5$	V
$T_{stg}$	storage temperature	-65	+150	°C
$T_{amb}$	operating ambient temperature	-20	+70	°C
$V_{es}$	electrostatic handling; note 1	-2000	+2000	V
LTCH	latch-up protection	100	-	mA

**Note**

1. Equivalent to discharging a 100 pF capacitor through a 1.5 k $\Omega$  series resistor.



## Advanced Auto Control Function (A2CF)

## SAA9740H

**DC CHARACTERISTICS**

$T_{amb} = -20$  to  $+70$  °C;  $V_{DD} = 2.7$  to  $3.3$  V; unless otherwise specified.

SYMBOL	PARAMETER	CONDITIONS	MIN.	TYP.	MAX.	UNIT
$I_{DD}$	supply current	note 1	–	12	25	mA
<b>Input pins (TSTIN1 to TSTIN3, TST1, UV_SEL, UV0 to UV7, Y3 to Y7, WCLIP, RSTB, RDB, WRB, ASTB, VD, HD, HSYNC, CLK1, CDS0 to CDS7, SCAN_T and AMSAL)</b>						
$V_{IH}$	HIGH level input voltage		$0.7V_{DD}$	–	–	V
$V_{IL}$	LOW level input voltage		–	–	$0.3V_{DD}$	V
$I_{IH}$	HIGH level input current	$V_{IH} = V_{DD}$	–	–	1	$\mu$ A
$I_{IL}$	LOW level input current	$V_{IL} = V_{SS}$	–	–	–1	$\mu$ A
<b>Output pins (WDINT and TSTOUT1 to TSTOUT7; push pull output)</b>						
$V_{OH}$	HIGH level output voltage	$I_{OH} = -20 \mu$ A	$V_{DD} - 0.1$	–	–	V
		$I_{OH} = -4$ mA	$V_{DD} - 0.5$	–	–	V
$V_{OL}$	LOW level output voltage	$I_{OL} = +20 \mu$ A	–	–	0.1	V
		$I_{OL} = +4$ mA	–	–	0.5	V
<b>Output pins (WDMNT, LWDB and CLK2OUT; open-drain)</b>						
$V_{OL}$	LOW level output voltage	$I_{OL} = +20 \mu$ A	–	–	0.1	V
		$I_{OL} = +4$ mA	–	–	0.5	V
$I_{OZ}$	3-state leakage current	$V_O = V_{DD}$	–	–	5	$\mu$ A
<b>Bidirectional pins (IO0 to IO7)</b>						
$V_{OH}$	HIGH level output voltage	$I_{OH} = -20 \mu$ A	$V_{DD} - 0.1$	–	–	V
		$I_{OH} = -8$ mA	$V_{DD} - 0.5$	–	–	V
$V_{OL}$	LOW level output voltage	$I_{OL} = +20 \mu$ A	–	–	0.1	V
		$I_{OL} = +8$ mA	–	–	0.5	V
$V_{IH}$	HIGH level input voltage		$0.7V_{DD}$	–	–	V
$V_{IL}$	LOW level input voltage		–	–	$0.3V_{DD}$	V
$I_{IH}$	HIGH level input current	$V_{IH} = V_{DD}$	–	–	1	$\mu$ A
$I_{IL}$	LOW level input current	$V_{IL} = V_{SS}$	–	–	–1	$\mu$ A
$I_{OZ}$	3-state leakage current	$V_O = V_{DD}$ or $V_{SS}$	–	–	$\pm 5$	$\mu$ A

**Note**

1. 510H PAL;  $V_{DD} = 3$  V; all modes active.

Advanced Auto Control Function (A2CF)

SAA9740H

AC CHARACTERISTICS

Microprocessor interface

$T_{amb} = -20$  to  $+70$  °C;  $V_{DD} = 2.7$  to  $3.3$  V;  $V_{IL} = 0$  V;  $V_{IH} = V_{DD}$ ;  $V_{ref} = 0.5V_{DD}$ ; input  $t_r$  and  $t_f = 30$  ns; see Fig.5; unless otherwise specified.

SYMBOL	PARAMETER	CONDITIONS	MIN.	TYP.	MAX.	UNIT
$t_{suAD}$	address setup time		0.4	–	–	$\mu$ s
$t_{hAD}$	address hold time		0.4	–	–	$\mu$ s
$t_{AR}$	ASTB to RDB time		0.5	–	–	$\mu$ s
$t_{WR}$	RDB width		1.0	–	–	$\mu$ s
$t_{RRD}$	RDB to read data	$R_L = 1$ k $\Omega$	–	–	0.8	$\mu$ s
$t_{hRRD}$	RDB to read data hold time	$R_L = 1$ k $\Omega$	–	–	0.1	$\mu$ s
$t_{AW}$	ASTB to WRB time		0.5	–	–	$\mu$ s
$t_{WW}$	WRB width		1.0	–	–	$\mu$ s
$t_{suW}$	WRB setup time		0.4	–	–	$\mu$ s
$t_{hW}$	WRB hold time		0.4	–	–	$\mu$ s

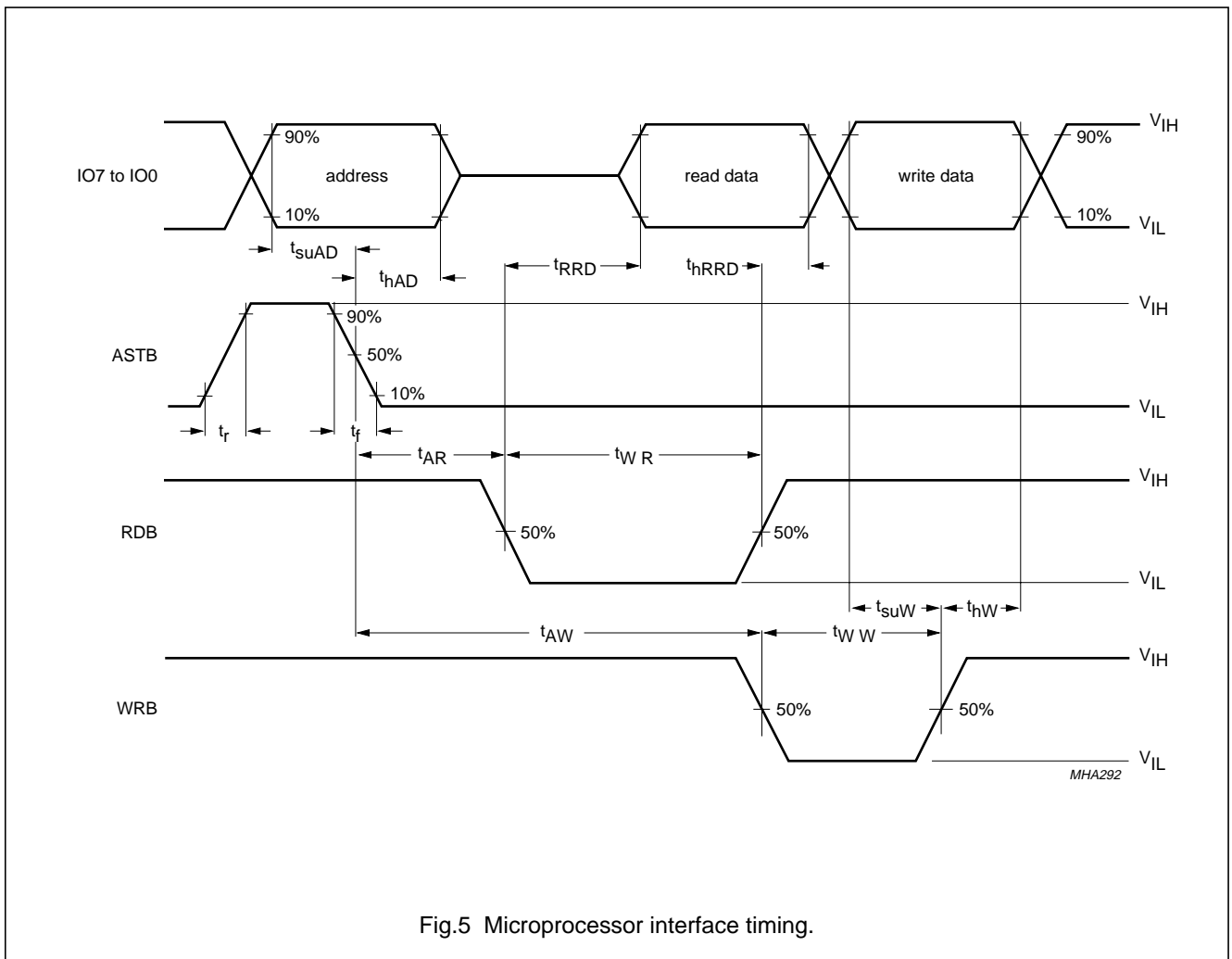


Fig.5 Microprocessor interface timing.

Advanced Auto Control Function (A2CF)

SAA9740H

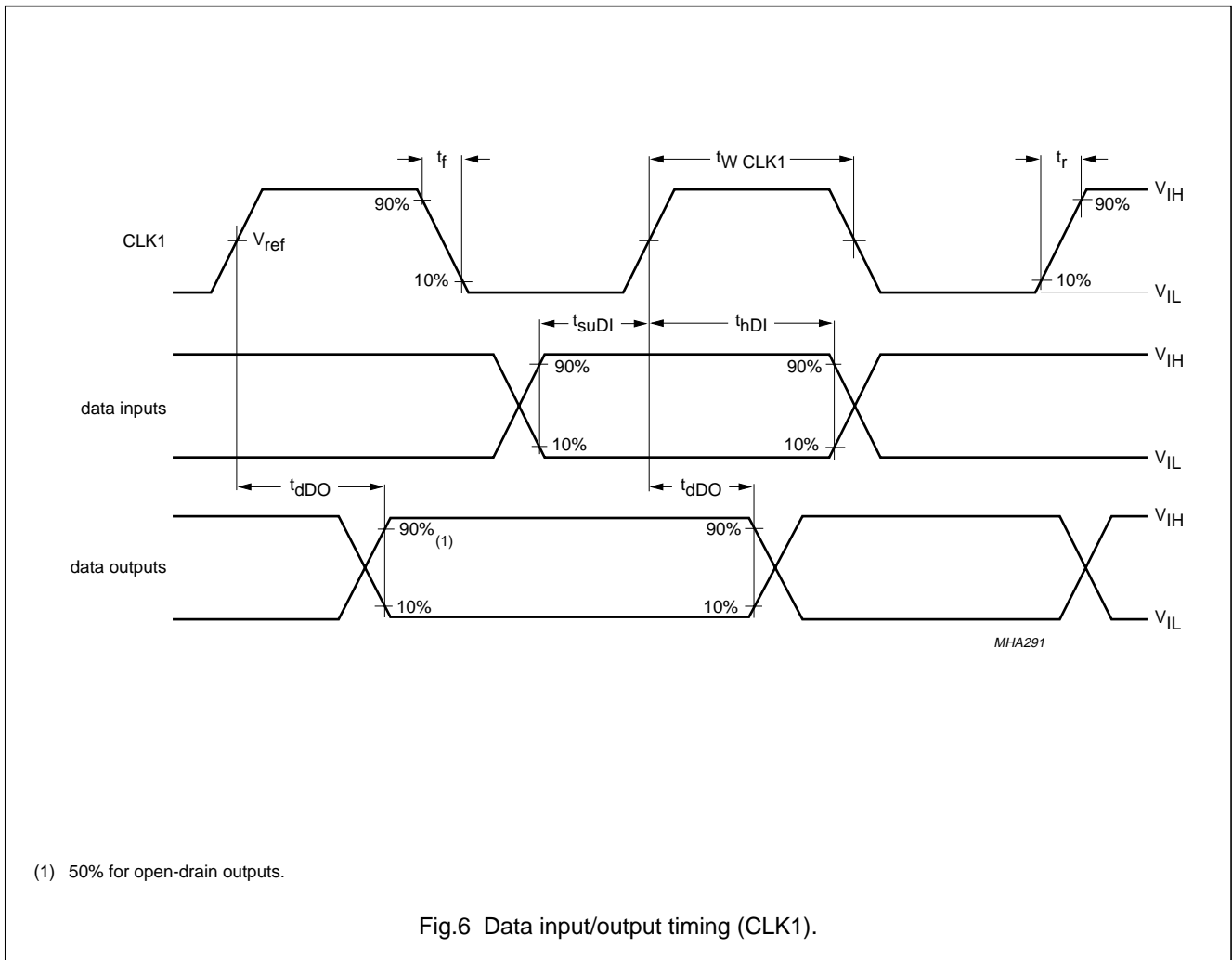
Data input/output timing (CLK1)

$T_{amb} = -20$  to  $+70$  °C;  $V_{DD} = 2.7$  to  $3.3$  V;  $V_{IL} = 0$  V;  $V_{IH} = V_{DD}$ ;  $V_{ref} = 0.5V_{DD}$ ;  $t_r$  and  $t_f = 6$  ns; output load capacitance = 20 pF; unless otherwise specified.

SYMBOL	PARAMETER	CONDITIONS	MIN.	TYP.	MAX.	UNIT
$t_{suDI}$	data input setup time	note 1	5	–	–	ns
$t_{hDI}$	data input hold time	note 1	8	–	–	ns
$t_{dDO}$	data output delay time	notes 2 and 3	–	–	60	ns
$t_{hDO}$	data output hold time	notes 2 and 3	–	–	60	ns
$t_{W CLK1}$	width of CLK1		–	50	–	%

Notes

1. Data inputs: UV0 to UV7, Y3 to Y7, AD0 to AD7, UV\_SEL, HSYNC, HD, VD and WCLIP.
2. Data outputs: WDINT, CLK2OUT, WDMNT and LWDB (open-drain outputs with 1 kΩ output load resistor).
3.  $T_{amb} = 25$  °C;  $V_{DD} = 3.0$  V.



## Advanced Auto Control Function (A2CF)

## SAA9740H

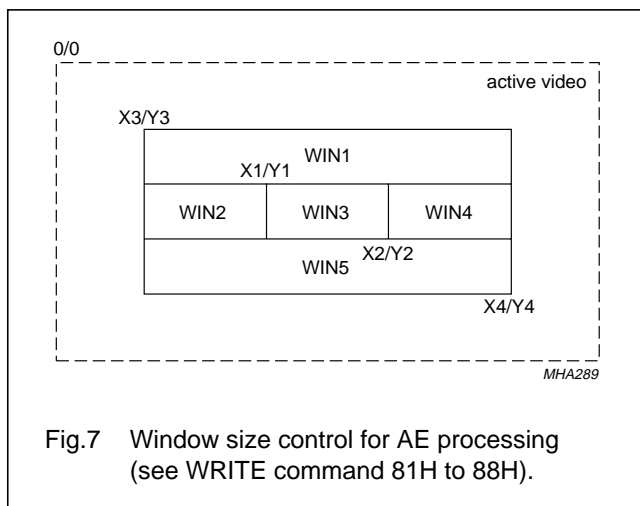
## MICROPROCESSOR COMMANDS

Table 1 Write commands; note 1

COMMAND	DATA								FUNCTION
	IO7	IO6	IO5	IO4	IO3	IO2	IO1	IO0	
81H <sup>(2)</sup>	X	X	X1[5]	X1[4]	X1[3]	X1[2]	X1[1]	X1[0]	X1 address
82H <sup>(2)</sup>	X	X	X2[5]	X2[4]	X2[3]	X2[2]	X2[1]	X2[0]	X2 address
83H <sup>(2)</sup>	X	X	X3[5]	X3[4]	X3[3]	X3[2]	X3[1]	X3[0]	X3 address
84H <sup>(2)</sup>	X	X	X4[5]	X4[4]	X4[3]	X4[2]	X4[1]	X4[0]	X4 address
85H <sup>(2)</sup>	X	X	Y1[5]	Y1[4]	Y1[3]	Y1[2]	Y1[1]	Y1[0]	Y1 address
86H <sup>(2)</sup>	X	X	Y2[5]	Y2[4]	Y2[3]	Y2[2]	Y2[1]	Y2[0]	Y2 address
87H <sup>(2)</sup>	X	X	Y3[5]	Y3[4]	Y3[3]	Y3[2]	Y3[1]	Y3[0]	Y3 address
88H <sup>(2)</sup>	X	X	Y4[5]	Y4[4]	Y4[3]	Y4[2]	Y4[1]	Y4[0]	Y4 address
8BH	X	TEST2	TEST1	TEST0	X	IIRC2	IIRC1	IIRC0	IIRC
8CH	THB[3]	THB[2]	THB[1]	THB[0]	THA[3]	THA[2]	THA[1]	THA[0]	TH1
8DH	X	X	X	X	THC[3]	THC[2]	THC[1]	THC[0]	TH2
8EH	SFTY	SFT1	SFT0	X	HON	MODE2	MODE1	MODE0	MODE
8FH	X	SIZE	MWD1	MWD0	X	PHS	PHD	PVD	SET

## Notes

1. X = don't care.
2. For auto exposure processing different windows in the active video field are taken with different weighting factors. The coordinates of the five windows are set according to Fig.7. The resolution is 1 bit  $\equiv$  16 pixel in x-direction and 1 bit  $\equiv$  8 lines in y-direction.



# Advanced Auto Control Function (A2CF)

# SAA9740H

### Address 8BH

**Table 2** IIRC (IO[2] to IO[0])

IIRC2	IIRC1	IIRC0	FUNCTION
0	0	0	1 MHz HPF select for auto focus processing
0	0	1	700 kHz HPF select for auto focus processing
0	1	0	220 kHz HPF select for auto focus processing
0	1	1	bypass HPF for auto focus processing
1	1	0	110 kHz select for auto focus processing

**Table 3** IIRC 9IO[6] to 9IO[4]; note 1

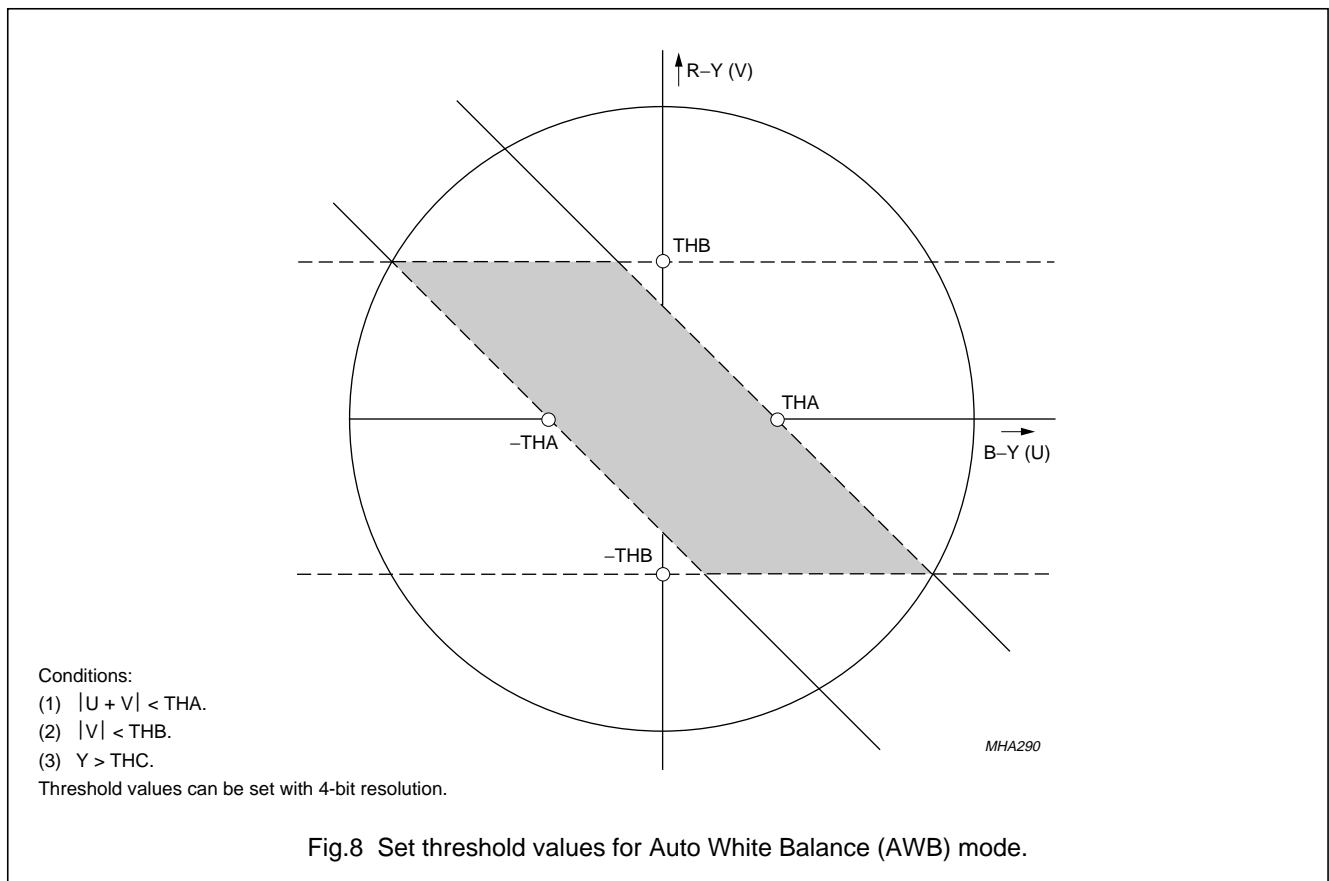
TEST2	TEST1	TEST0	FUNCTION
X	X	X	only for test purposes

**Note**

1. X = don't care.

### Address 8CH and 8DH

Address 8CH and 8DH are used to define the active range that is taken for auto white balance processing. The calculation of active area can be seen in Fig.8.



## Advanced Auto Control Function (A2CF)

## SAA9740H

**Address 8EH**

By applying address 8EH and setting the MODE bits it is possible to read the values that are stored in the registers corresponding to the selected mode. The selection which register will be read is then defined by READ address 70H to 7BH (see Tables 6 and 7).

**Table 4** MODE and shift definition (see WRITE command 8EH); note 1

IO7	IO6	IO5	IO4	IO3	IO2	IO1	IO0	MODE	FUNCTION
SFTY	SFT1	SFT0	–	HON	MODE	MODE	MODE		
X	X	X	X	X	0	0	0	AE	set mode: read AE values
X	X	X	X	X	0	0	1	AF	set mode: read AF values
X	X	X	X	X	0	1	1	AWB (B – Y)	set mode: read AWB (B – Y) values
X	X	X	X	X	1	0	0	AWB (R – Y)	set mode: read AWB (R – Y) values
X	X	X	X	X	1	0	1	AWB $\Delta$	set mode: read AWB $\Delta$ values
X	X	X	X	X	1	1	0	AWB Y	set mode: read AWB Y values
X	X	X	X	0	0	0	0	H dec	decimation for 1H <b>off</b>
X	X	X	X	1	0	0	0	H dec	decimation for 1H <b>on</b>
X	0	0	X	X	0	0	1	AF shift	select CDS5 to CDS0 for AF processing
X	0	1	X	X	0	0	1	AF shift	select CDS6 to CDS1 for AF processing
X	1	X	X	X	0	0	1	AF shift	select CDS7 to CDS2 for AF processing
0	X	X	X	X	0	0	0	AE shift	take AE[5] to AE[0] for internal AE processing (see Chapter "Functional description")
1	X	X	X	X	0	0	0	AE shift	take AE[5] to AE[1] for internal AE processing (see Chapter "Functional description")

**Note**

1. X = don't care.

## Advanced Auto Control Function (A2CF)

## SAA9740H

**Address 8FH**

To apply several types of CCDs it is possible to set polarity VD, HD and HSYNC by PVD, PHD and PHS.

The modes set by MWD and SIZE bit are only used for system evaluation. During normal application mode they can have any value.

**Table 5** Settings (see WRITE command 8FH); note 1

IO7	IO6	IO5	IO4	IO3	IO2	IO1	IO0	MODE	FUNCTION
–	SIZE	MWD1	MWD0	–	PHS	PHD	PVD		
X	X	X	X	X	X	X	0	PVD	VD 'H' active
X	X	X	X	X	X	X	1	PVD	VD 'L' active
X	X	X	X	X	X	0	X	PHD	HD 'H' active
X	X	X	X	X	X	1	X	PHD	HD 'L' active
X	X	X	X	X	0	X	X	PHSYNC	HSYNC 'H' active
X	X	X	X	X	1	X	X	PHSYNC	HSYNC 'L' active
X	X	0	0	X	X	X	X	MWD AE	monitor AE window
X	X	0	1	X	X	X	X	MWD AF	monitor AF window
X	X	1	0	X	X	X	X	MWD AWB	monitor AWB window
X	X	1	1	X	X	X	X	MWD ALL	monitor all windows
X	0	X	X	X	X	X	X	MWD SMALL	monitor small window
X	1	X	X	X	X	X	X	MWD LARGE	monitor large window

**Note**

1. X = don't care.

**READ commands**

The values of the internal registers can be read as follows:

1. Set mode AF, AE or AWB by WRITE command 8EH according to Table 4.
2. Select register by READ command 70H to 7BH according to Table 6.

**Table 6** Read command

COMMAND	DATA								FUNCTION
	IO7	IO6	IO5	IO4	IO3	IO2	IO1	IO0	
70H	O[15]	O[14]	O[13]	O[12]	O[11]	O[10]	O[9]	O[8]	REG1
71H	O[7]	O[6]	O[5]	O[4]	O[3]	O[2]	O[1]	O[0]	
72H	O[15]	O[14]	O[13]	O[12]	O[11]	O[10]	O[9]	O[8]	REG2
73H	O[7]	O[6]	O[5]	O[4]	O[3]	O[2]	O[1]	O[0]	
74H	O[15]	O[14]	O[13]	O[12]	O[11]	O[10]	O[9]	O[8]	REG3
75H	O[7]	O[6]	O[5]	O[4]	O[3]	O[2]	O[1]	O[0]	
76H	O[15]	O[14]	O[13]	O[12]	O[11]	O[10]	O[9]	O[8]	REG4
77H	O[7]	O[6]	O[5]	O[4]	O[3]	O[2]	O[1]	O[0]	
78H	O[15]	O[14]	O[13]	O[12]	O[11]	O[10]	O[9]	O[8]	REG5
79H	O[7]	O[6]	O[5]	O[4]	O[3]	O[2]	O[1]	O[0]	
7BH	O[7]	O[6]	O[5]	O[4]	O[3]	O[2]	O[1]	O[0]	REG0

## Advanced Auto Control Function (A2CF)

## SAA9740H

**Register assignment**

For the different modes (AF, AE and AWB) the contents of the registers are assigned according to Table 7.

**Table 7** Register assignment

MODE	REGISTER	DATA	FUNCTION
AF	REG0 (8-bit)	O[7] to O[5]	n.a.
		O[4]	overflow information of AF block
		O[3] to O[0]	contrast peak within one field
	REG1 (18-bit)	O[15] to O[0]	n.a.
	REG2 (18-bit)	O[15] to O[0]	accumulated data in the large window
	REG3 (18-bit)	O[15] to O[0]	accumulated data in the centre window
	REG4 (18-bit)	O[15] to O[0]	accumulated data of the large window minus the data of the centre window
REG5 (18-bit)	O[15] to O[0]	n.a.	
AE	REG0 (8-bit)	O[7] to O[5]	18-bit adder overflow information
		O[4] to O[0]	white-clip counter output
	REG1 (18-bit)	O[15] to O[0]	accumulated data in WIN1; REG1[18] to REG1[3]
	REG2 (18-bit)	O[15] to O[0]	accumulated data in WIN2; REG2[18] to REG2[3]
	REG3 (18-bit)	O[15] to O[0]	accumulated data in WIN3; REG3[18] to REG3[3]
	REG4 (18-bit)	O[15] to O[0]	accumulated data in WIN4; REG4[18] to REG4[3]
REG5 (18-bit)	O[15] to O[0]	accumulated data in WIN5; REG5[18] to REG5[3]	
AWB (B – Y)	REG0 (8-bit)	O[7] to O[5]	n.a.
		O[4] to O[0]	white-clip or AWB limiter count
	REG1 (18-bit)	O[15] to O[0]	accumulated B – Y data of 1st quadrant; REG1[18] to REG1[3]
	REG2 (18-bit)	O[15] to O[0]	accumulated B – Y data of 2nd quadrant; REG2[18] to REG2[3]
	REG3 (18-bit)	O[15] to O[0]	accumulated B – Y data of 3rd quadrant; REG3[18] to REG3[3]
	REG4 (18-bit)	O[15] to O[0]	accumulated B – Y data of 4th quadrant; REG4[18] to REG4[3]
REG5 (18-bit)	O[15] to O[0]	n.a.	
AWB (R – Y)	REG0 (8-bit)	O[7] to O[5]	n.a.
		O[4] to O[0]	white-clip or AWB limiter count
	REG1 (18-bit)	O[15] to O[0]	accumulated R – Y data of 1st quadrant; REG1[18] to REG1[3]
	REG2 (18-bit)	O[15] to O[0]	accumulated R – Y data of 2nd quadrant; REG2[18] to REG2[3]
	REG3 (18-bit)	O[15] to O[0]	accumulated R – Y data of 3rd quadrant; REG3[18] to REG3[3]
	REG4 (18-bit)	O[15] to O[0]	accumulated R – Y data of 4th quadrant; REG4[18] to REG4[3]
REG5 (18-bit)	O[15] to O[0]	n.a.	
AWB ( $\Delta$ )	REG0 (8-bit)	O[7] to O[5]	n.a.
		O[4] to O[0]	white-clip or AWB limiter count
	REG1 (18-bit)	O[15] to O[0]	accumulated $\Delta$ (R – Y) data of WIN1 to WIN5; REG1[18] to REG1[3]
	REG2 (18-bit)	O[15] to O[0]	accumulated $\Delta$ (B – Y) data of WIN1 to WIN5; REG2[18] to REG2[3]
	REG3 (18-bit)	O[15] to O[0]	accumulated $\Delta$ (R – Y) data of WIN3; REG3[18] to REG3[3]
	REG4 (18-bit)	O[15] to O[0]	accumulated $\Delta$ (B – Y) data of WIN3; REG4[18] to REG4[3]
REG5 (18-bit)	O[15] to O[0]	n.a.	



## Advanced Auto Control Function (A2CF)

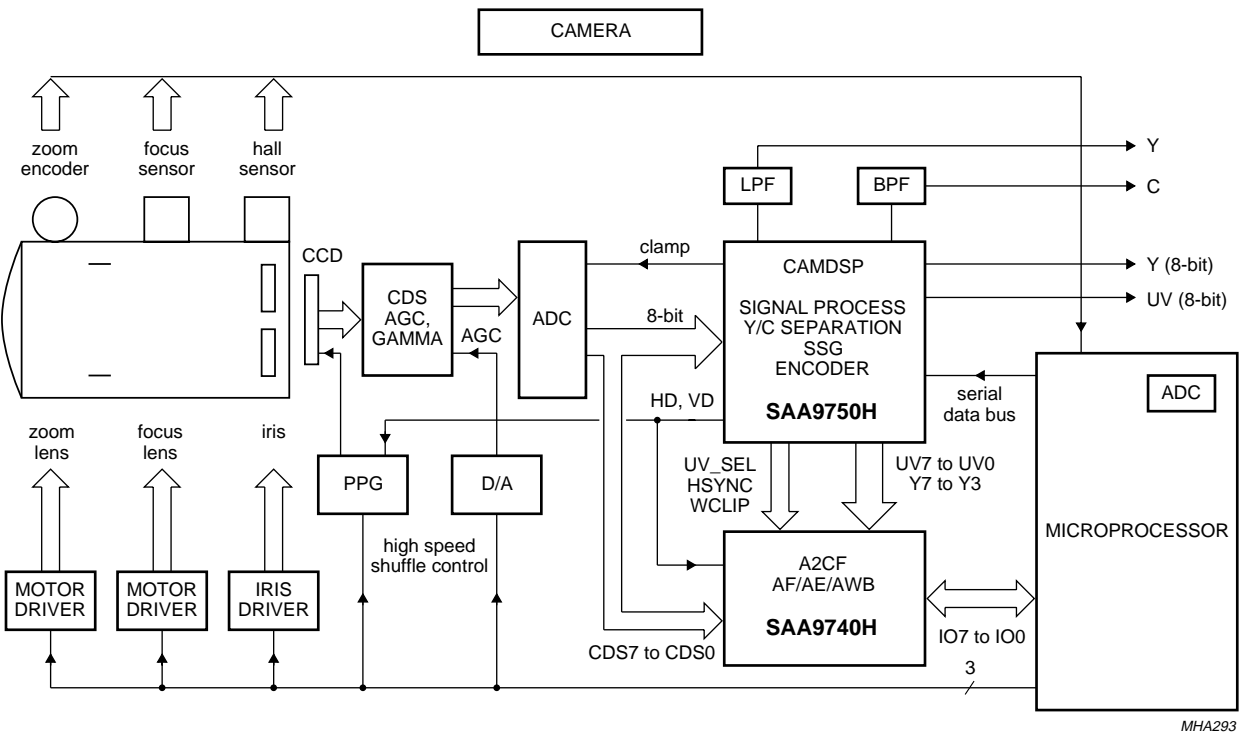
SAA9740H

MODE	REGISTER	DATA	FUNCTION
AWB (Y)	REG0 (8-bit)	O[7] to O[5]	n.a.
		O[4]	overflow information of auto focus block
		O[3] to O[0]	contrast peak within one field
	REG1 (18-bit)	O[15] to O[0]	accumulated R – Y data of 1st quadrant; REG1[18] to REG1[3]
	REG2 (18-bit)	O[15] to O[0]	accumulated R – Y data of 2nd quadrant; REG2[18] to REG2[3]
	REG3 (18-bit)	O[15] to O[0]	accumulated R – Y data of 3rd quadrant; REG3[18] to REG3[3]
	REG4 (18-bit)	O[15] to O[0]	accumulated R – Y data of 4th quadrant; REG4[18] to REG4[3]
	REG5 (18-bit)	O[15] to O[0]	n.a.

Advanced Auto Control Function (A2CF)

SAA9740H

APPLICATION INFORMATION



MHA293

Fig.9 Camera block diagram (SAA9750H and SAA9740H).

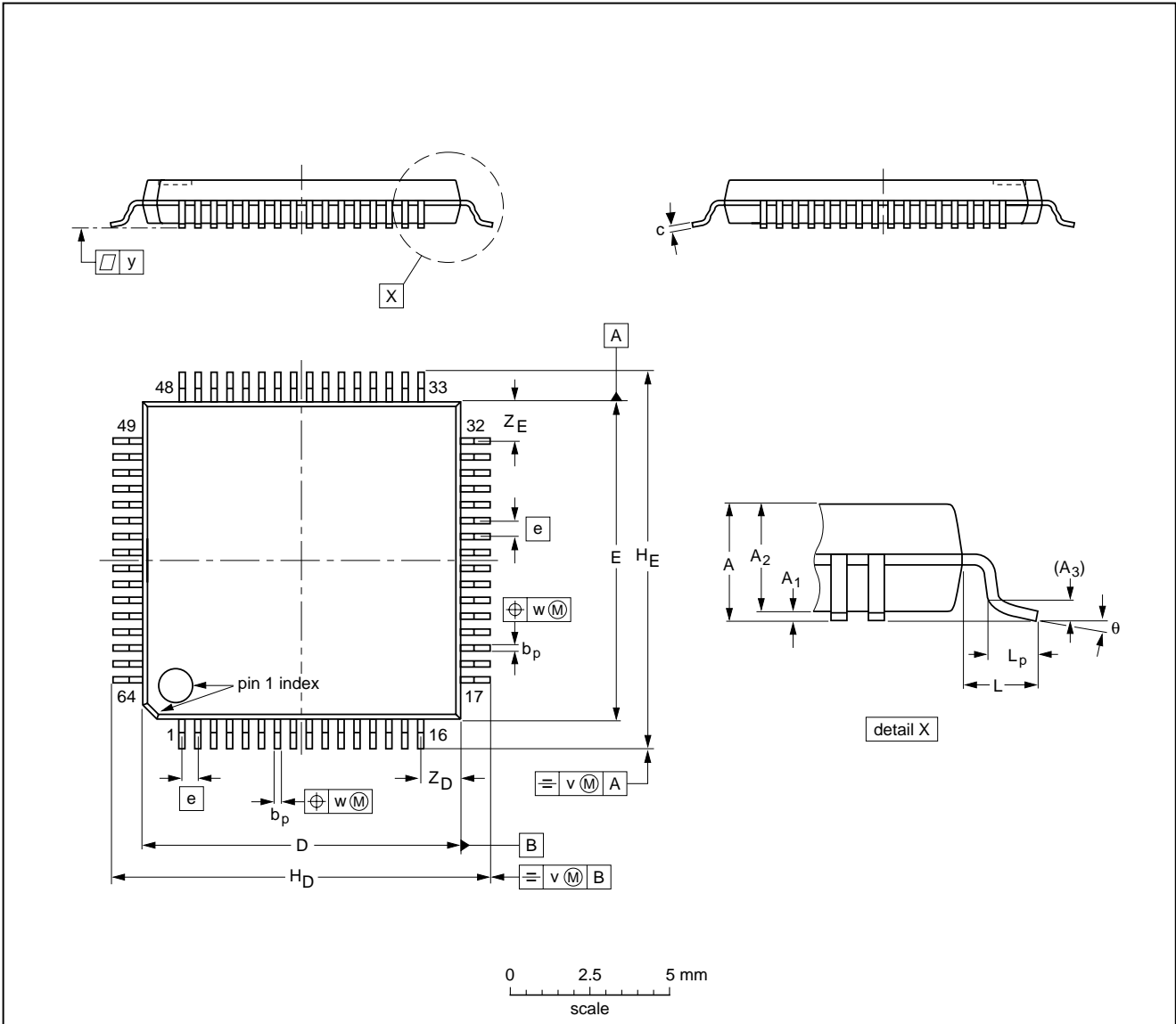
Advanced Auto Control Function (A2CF)

SAA9740H

PACKAGE OUTLINE

LQFP64: plastic low profile quad flat package; 64 leads; body 10 x 10 x 1.4 mm

SOT314-2



DIMENSIONS (mm are the original dimensions)

UNIT	A max.	A <sub>1</sub>	A <sub>2</sub>	A <sub>3</sub>	b <sub>p</sub>	c	D <sup>(1)</sup>	E <sup>(1)</sup>	e	H <sub>D</sub>	H <sub>E</sub>	L	L <sub>p</sub>	v	w	y	Z <sub>D</sub> <sup>(1)</sup>	Z <sub>E</sub> <sup>(1)</sup>	θ
mm	1.60	0.20 0.05	1.45 1.35	0.25	0.27 0.17	0.18 0.12	10.1 9.9	10.1 9.9	0.5	12.15 11.85	12.15 11.85	1.0	0.75 0.45	0.2	0.12	0.1	1.45 1.05	1.45 1.05	7° 0°

Note

1. Plastic or metal protrusions of 0.25 mm maximum per side are not included.

OUTLINE VERSION	REFERENCES			EUROPEAN PROJECTION	ISSUE DATE
	IEC	JEDEC	EIAJ		
SOT314-2					95-12-19 97-08-01

---

## Advanced Auto Control Function (A2CF)

SAA9740H

---

### SOLDERING

#### Introduction

There is no soldering method that is ideal for all IC packages. Wave soldering is often preferred when through-hole and surface mounted components are mixed on one printed-circuit board. However, wave soldering is not always suitable for surface mounted ICs, or for printed-circuits with high population densities. In these situations reflow soldering is often used.

This text gives a very brief insight to a complex technology. A more in-depth account of soldering ICs can be found in our "*IC Package Databook*" (order code 9398 652 90011).

#### Reflow soldering

Reflow soldering techniques are suitable for all LQFP packages.

Reflow soldering requires solder paste (a suspension of fine solder particles, flux and binding agent) to be applied to the printed-circuit board by screen printing, stencilling or pressure-syringe dispensing before package placement.

Several techniques exist for reflowing; for example, thermal conduction by heated belt. Dwell times vary between 50 and 300 seconds depending on heating method. Typical reflow temperatures range from 215 to 250 °C.

Preheating is necessary to dry the paste and evaporate the binding agent. Preheating duration: 45 minutes at 45 °C.

#### Wave soldering

Wave soldering is **not** recommended for LQFP packages. This is because of the likelihood of solder bridging due to closely-spaced leads and the possibility of incomplete solder penetration in multi-lead devices.

If wave soldering cannot be avoided, the following conditions must be observed:

- **A double-wave (a turbulent wave with high upward pressure followed by a smooth laminar wave) soldering technique should be used.**
- **The footprint must be at an angle of 45° to the board direction and must incorporate solder thieves downstream and at the side corners.**

**Even with these conditions, do not consider wave soldering LQFP packages LQFP48 (SOT313-2), LQFP64 (SOT314-2) or LQFP80 (SOT315-1).**

During placement and before soldering, the package must be fixed with a droplet of adhesive. The adhesive can be applied by screen printing, pin transfer or syringe dispensing. The package can be soldered after the adhesive is cured.

Maximum permissible solder temperature is 260 °C, and maximum duration of package immersion in solder is 10 seconds, if cooled to less than 150 °C within 6 seconds. Typical dwell time is 4 seconds at 250 °C.

A mildly-activated flux will eliminate the need for removal of corrosive residues in most applications.

#### Repairing soldered joints

Fix the component by first soldering two diagonally-opposite end leads. Use only a low voltage soldering iron (less than 24 V) applied to the flat part of the lead. Contact time must be limited to 10 seconds at up to 300 °C. When using a dedicated tool, all other leads can be soldered in one operation within 2 to 5 seconds between 270 and 320 °C.

## Advanced Auto Control Function (A2CF)

SAA9740H

**DEFINITIONS**

<b>Data sheet status</b>	
Objective specification	This data sheet contains target or goal specifications for product development.
Preliminary specification	This data sheet contains preliminary data; supplementary data may be published later.
Product specification	This data sheet contains final product specifications.
<b>Limiting values</b>	
Limiting values given are in accordance with the Absolute Maximum Rating System (IEC 134). Stress above one or more of the limiting values may cause permanent damage to the device. These are stress ratings only and operation of the device at these or at any other conditions above those given in the Characteristics sections of the specification is not implied. Exposure to limiting values for extended periods may affect device reliability.	
<b>Application information</b>	
Where application information is given, it is advisory and does not form part of the specification.	

**LIFE SUPPORT APPLICATIONS**

These products are not designed for use in life support appliances, devices, or systems where malfunction of these products can reasonably be expected to result in personal injury. Philips customers using or selling these products for use in such applications do so at their own risk and agree to fully indemnify Philips for any damages resulting from such improper use or sale.

Advanced Auto Control Function (A2CF)

SAA9740H

---

**NOTES**

Advanced Auto Control Function (A2CF)

SAA9740H

---

**NOTES**

# Philips Semiconductors – a worldwide company

**Argentina:** see South America

**Australia:** 34 Waterloo Road, NORTH RYDE, NSW 2113,  
Tel. +61 2 9805 4455, Fax. +61 2 9805 4466

**Austria:** Computerstr. 6, A-1101 WIEN, P.O. Box 213,  
Tel. +43 1 60 101, Fax. +43 1 60 101 1210

**Belarus:** Hotel Minsk Business Center, Bld. 3, r. 1211, Volodarski Str. 6,  
220050 MINSK, Tel. +375 172 200 733, Fax. +375 172 200 773

**Belgium:** see The Netherlands

**Brazil:** see South America

**Bulgaria:** Philips Bulgaria Ltd., Energoproject, 15th floor,  
51 James Bourchier Blvd., 1407 SOFIA,  
Tel. +359 2 689 211, Fax. +359 2 689 102

**Canada:** PHILIPS SEMICONDUCTORS/COMPONENTS,  
Tel. +1 800 234 7381

**China/Hong Kong:** 501 Hong Kong Industrial Technology Centre,  
72 Tat Chee Avenue, Kowloon Tong, HONG KONG,  
Tel. +852 2319 7888, Fax. +852 2319 7700

**Colombia:** see South America

**Czech Republic:** see Austria

**Denmark:** Prags Boulevard 80, PB 1919, DK-2300 COPENHAGEN S,  
Tel. +45 32 88 2636, Fax. +45 31 57 1949

**Finland:** Sinikalliontie 3, FIN-02630 ESPOO,  
Tel. +358 9 615800, Fax. +358 9 61580/xxx

**France:** 4 Rue du Port-aux-Vins, BP317, 92156 SURESNES Cedex,  
Tel. +33 1 40 99 6161, Fax. +33 1 40 99 6427

**Germany:** Hammerbrookstraße 69, D-20097 HAMBURG,  
Tel. +49 40 23 53 60, Fax. +49 40 23 536 300

**Greece:** No. 15, 25th March Street, GR 17778 TAVROS/ATHENS,  
Tel. +30 1 4894 339/239, Fax. +30 1 4814 240

**Hungary:** see Austria

**India:** Philips INDIA Ltd, Shivsagar Estate, A Block, Dr. Annie Besant Rd.  
Worli, MUMBAI 400 018, Tel. +91 22 4938 541, Fax. +91 22 4938 722

**Indonesia:** see Singapore

**Ireland:** Newstead, Clonskeagh, DUBLIN 14,  
Tel. +353 1 7640 000, Fax. +353 1 7640 200

**Israel:** RAPAC Electronics, 7 Kehilat Saloniki St, TEL AVIV 61180,  
Tel. +972 3 645 0444, Fax. +972 3 649 1007

**Italy:** PHILIPS SEMICONDUCTORS, Piazza IV Novembre 3,  
20124 MILANO, Tel. +39 2 6752 2531, Fax. +39 2 6752 2557

**Japan:** Philips Bldg 13-37, Kohnan 2-chome, Minato-ku, TOKYO 108,  
Tel. +81 3 3740 5130, Fax. +81 3 3740 5077

**Korea:** Philips House, 260-199 Itaewon-dong, Yongsan-ku, SEOUL,  
Tel. +82 2 709 1412, Fax. +82 2 709 1415

**Malaysia:** No. 76 Jalan Universiti, 46200 PETALING JAYA, SELANGOR,  
Tel. +60 3 750 5214, Fax. +60 3 757 4880

**Mexico:** 5900 Gateway East, Suite 200, EL PASO, TEXAS 79905,  
Tel. +9-5 800 234 7381

**Middle East:** see Italy

**Netherlands:** Postbus 90050, 5600 PB EINDHOVEN, Bldg. VB,  
Tel. +31 40 27 82785, Fax. +31 40 27 88399

**New Zealand:** 2 Wagener Place, C.P.O. Box 1041, AUCKLAND,  
Tel. +64 9 849 4160, Fax. +64 9 849 7811

**Norway:** Box 1, Manglerud 0612, OSLO,  
Tel. +47 22 74 8000, Fax. +47 22 74 8341

**Philippines:** Philips Semiconductors Philippines Inc.,  
106 Valero St. Salcedo Village, P.O. Box 2108 MCC, MAKATI,  
Metro MANILA, Tel. +63 2 816 6380, Fax. +63 2 817 3474

**Poland:** Ul. Lukiska 10, PL 04-123 WARSZAWA,  
Tel. +48 22 612 2831, Fax. +48 22 612 2327

**Portugal:** see Spain

**Romania:** see Italy

**Russia:** Philips Russia, Ul. Usatcheva 35A, 119048 MOSCOW,  
Tel. +7 095 247 9145, Fax. +7 095 247 9144

**Singapore:** Lorong 1, Toa Payoh, SINGAPORE 1231,  
Tel. +65 350 2538, Fax. +65 251 6500

**Slovakia:** see Austria

**Slovenia:** see Italy

**South Africa:** S.A. PHILIPS Pty Ltd., 195-215 Main Road Martindale,  
2092 JOHANNESBURG, P.O. Box 7430 Johannesburg 2000,  
Tel. +27 11 470 5911, Fax. +27 11 470 5494

**South America:** Rua do Rocio 220, 5th floor, Suite 51,  
04552-903 São Paulo, SÃO PAULO - SP, Brazil,  
Tel. +55 11 821 2333, Fax. +55 11 829 1849

**Spain:** Balmes 22, 08007 BARCELONA,  
Tel. +34 3 301 6312, Fax. +34 3 301 4107

**Sweden:** Kottbygatan 7, Akalla, S-16485 STOCKHOLM,  
Tel. +46 8 632 2000, Fax. +46 8 632 2745

**Switzerland:** Allmendstrasse 140, CH-8027 ZÜRICH,  
Tel. +41 1 488 2686, Fax. +41 1 481 7730

**Taiwan:** PHILIPS TAIWAN Ltd., 23-30F, 66,  
Chung Hsiao West Road, Sec. 1, P.O. Box 22978,  
TAIPEI 100, Tel. +886 2 382 4443, Fax. +886 2 382 4444

**Thailand:** PHILIPS ELECTRONICS (THAILAND) Ltd.,  
209/2 Sanpavuth-Bangna Road Prakanong, BANGKOK 10260,  
Tel. +66 2 745 4090, Fax. +66 2 398 0793

**Turkey:** Talatpasa Cad. No. 5, 80640 GÜLTEPE/ISTANBUL,  
Tel. +90 212 279 2770, Fax. +90 212 282 6707

**Ukraine:** PHILIPS UKRAINE, 4 Patrice Lumumba str., Building B, Floor 7,  
252042 KIEV, Tel. +380 44 264 2776, Fax. +380 44 268 0461

**United Kingdom:** Philips Semiconductors Ltd., 276 Bath Road, Hayes,  
MIDDLESEX UB3 5BX, Tel. +44 181 730 5000, Fax. +44 181 754 8421

**United States:** 811 East Arques Avenue, SUNNYVALE, CA 94088-3409,  
Tel. +1 800 234 7381

**Uruguay:** see South America

**Vietnam:** see Singapore

**Yugoslavia:** PHILIPS, Trg N. Pasica 5/v, 11000 BEOGRAD,  
Tel. +381 11 625 344, Fax. +381 11 635 777

**For all other countries apply to:** Philips Semiconductors, Marketing & Sales Communications,  
Building BE-p, P.O. Box 218, 5600 MD EINDHOVEN, The Netherlands, Fax. +31 40 27 24825

**Internet:** <http://www.semiconductors.philips.com>

© Philips Electronics N.V. 1996

SCA52

All rights are reserved. Reproduction in whole or in part is prohibited without the prior written consent of the copyright owner.

The information presented in this document does not form part of any quotation or contract, is believed to be accurate and reliable and may be changed without notice. No liability will be accepted by the publisher for any consequence of its use. Publication thereof does not convey nor imply any license under patent- or other industrial or intellectual property rights.

Printed in The Netherlands

537021/1200/02/pp24

Date of release: 1996 Oct 10

Document order number: 9397 750 01158

*Let's make things better.*

**Philips**  
Semiconductors



**PHILIPS**