

650 nm LASER DIODE

Features

- .. Visible wavelength: 650 nm (typ.)
- .. Optical power: 5 mW (CW)
- .. TO-18 package with flat window (\varnothing 5.6 mm)
- .. Low operating current: $I_{op} = 25$ mA (typ.)
- .. Low operating voltage: $V_{op} = 2.8$ V (max)

Recommended operating optical power output

- .. Less than 5 m W

Applications

- .. Laser pointers
- .. Laser modules
- .. Bar code readers
- .. Scanner

Structure

- .. Index-guided structure
- .. AlGaInP quantum well structure
- .. Integrated Si photodiode for optical power monitor



Description

The MCE-6E8F-Z01 is a red laser diode typically powered at 3 to 5 mW and designed for laser pointer.

The device contains a PIN photo diode to meet the designs of the automatic-power-control circuit. The small TO-18 package and lower consumption enable customers to easily incorporate our laser diodes into their products.

Handling and Safety Precautions

Anti-static protection, such as ionized air blowers or grounded wrist straps with a 1 mega series resistor, should be used at all times when handling laser diodes. In addition, soldering irons should be well grounded.

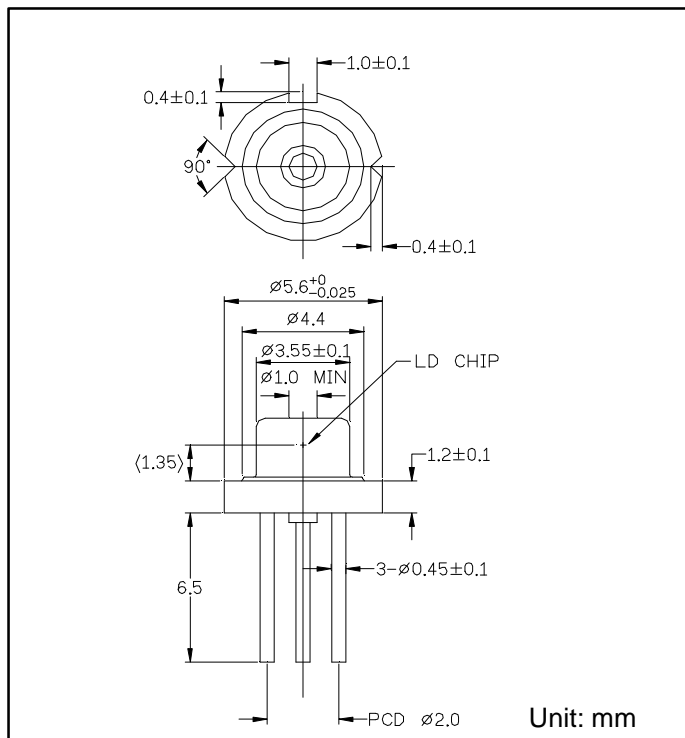
Overheating caused by soldering of the leads of a laser diode must be prevented. Recommend soldering iron temperature and maximum exposure time are below 260 °C and 10 seconds.

■ Absolute Maximum Ratings (Ta : 25°C)

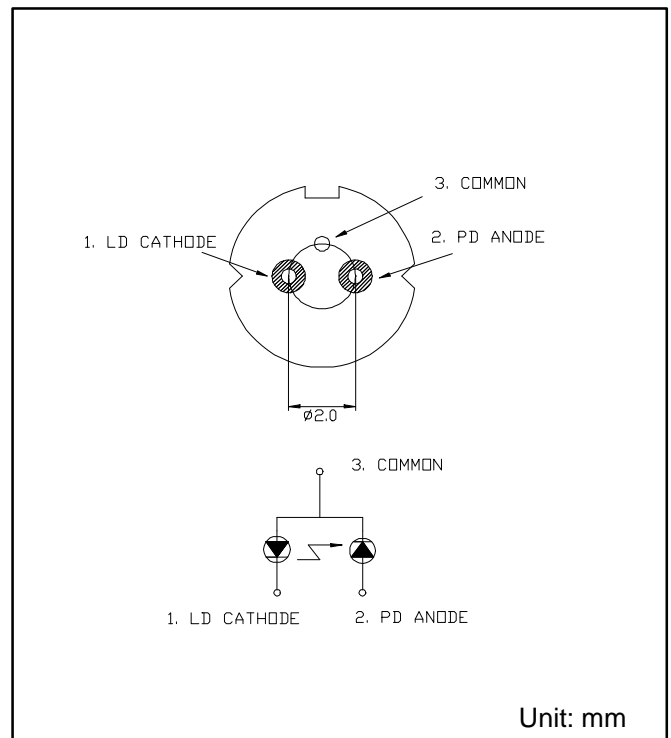
PARAMETERS	SYMBOL	Rated Value
Storage Temperature	Tstg	-20 to +85
Operating Temperature	Top	-10 to + 40
Optical output power (m W)	Po	7
LD reverse voltage (V)	Vr (LD)	2
PD reverse voltage (V)	Vr (PD)	30

■ Optical & Electrical Characteristics (Ta = 25°C)

Parameter	Symbol	Test Conditions	Min.	Typ.	Max.	Unit
Optical output power	Po	Kink free,CW	3/4	3/4	5	mW
Threshold current	Ith		3/4	20	30	mA
Operating current	Iop	Po=5mW	3/4	25	35	mA
Operatign voltage	Vop	Po=5mW	3/4	2.2	2.8	V
Wavelength	lp	Po=5mW	3/4	650	660	nm
Beam divergence	Perpendicular	q^	3/4	33	3/4	deg
	Parallel	q/	3/4	7	3/4	deg
Slope efficiency	h	2mW [If(5mW)-If(3mW)]	0.1	0.7	1.0	mW/mA
Monitor current	Im	Po=5mW, Vr=5V	3/4	350	3/4	µA



Package Dimensions



Pin Connections (Bottom View)

NOTE: Specifications are subjected to change without notice.

Unity Opto Technology Co., Ltd.

10 F, No. 88-8, Sec. 1, Kuang-Fu Rd.,
Sanchung City, 241 Taipei, Taiwan

For prototype and Production call

TEL: 886 - 2 -2999 - 3988

FAX: 886 - 2 -2999 - 3910

REV. A2 01/09/2003