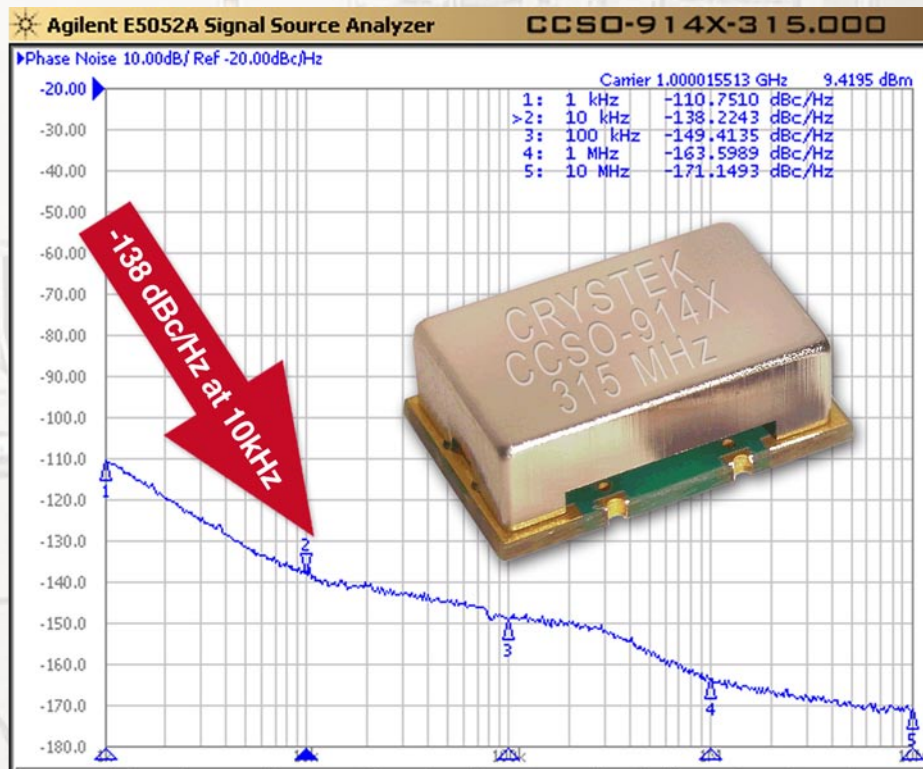




CCSO-914X
TRUE SINEWAVE
SAW BASED CLOCK OSC
9X14MM SMD
3.3 & 5.0 VOLT



Ultra-Low Phase Noise SAW Clock
Frequency Range:
300MHz to 916MHz



Model CCSO-914X is a SAW (surface acoustic wave) Clock Oscillator (CCSO). SAW crystal technology provides low-noise and low-jitter performance with true sinewave output. Features include -138dBc/Hz phase noise at 10kHz offset, 3.3V & 5V input voltage available, -40 to +85C operating temperature, FR5 PCB and 9x14 mm SMT package. The oscillator has no sub-harmonic and the second harmonic is typically -20dBc.

Applications include:
System Clock for Network Clock Generator/Synchronizer, Clock for DDS, Test and Measurement, Avionics, Point-to-Point Radios, and Multi-point Radios.



12730 COMMONWEALTH DRIVE • FORT MYERS, FL 33913
PHONE: 239-561-3311 • 800-237-3061
FAX: 239-561-1025 • WWW.CRYSTEK.COM

Rev.: A
Date: 11-08-07



CRYSTEK

CRYSTALS

A DIVISION OF CRYSTEK CORPORATION

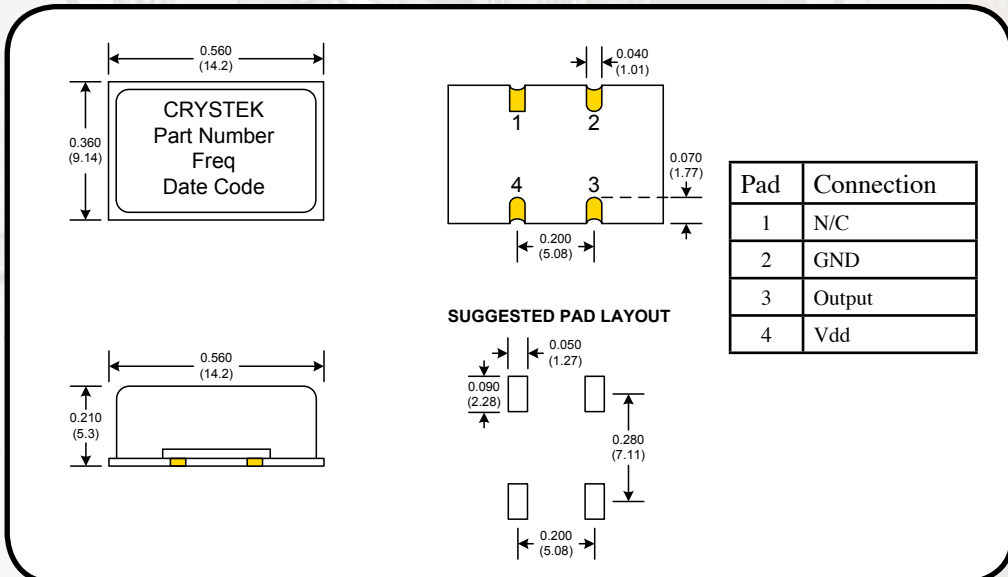
CCSO-914X
TRUE SINEWAVE
SAW BASED CLOCK OSC
9X14MM SMD
3.3 & 5.0 VOLT



Frequency : 300MHz to 916MHz
Temperature Range: -40°C to 85°C
Storage: -45°C to 90°C
Input Voltage: (option 3) 3.3V ± 0.165V
 (std.) 5.0V ± 0.25V
Freq. vs Temp. ±100ppm Typ.
Input Current: 25mA Typ., 35mA Max
Output: True SineWave
Output Power: +8dBm Min. into 50 Ohm Load
Start-up time: 2ms Typ., 10ms Max
2nd Harmonic: -20dBc Typ., -15dBc Max
Sub-harmonics: None
Modulation BW: >20KHz @ -3dB
Jitter:
 SONET OC-48(12KHz~80MHz) 0.18ps RMS Typ., 0.20ps RMS Max
 SONET OC-192(50KHz~80MHz) 0.12ps RMS Typ., 0.15ps RMS Max

Phase Noise Typical:

1KHz -110 dBc/Hz
10KHz -138 dBc/Hz
100KHz -150 dBc/Hz
1MHz -160 dBc/Hz
10MHz -170 dBc/Hz



CRYSTEK
CORPORATION

12730 COMMONWEALTH DRIVE • FORT MYERS, FL 33913

PHONE: 239-561-3311 • 800-237-3061

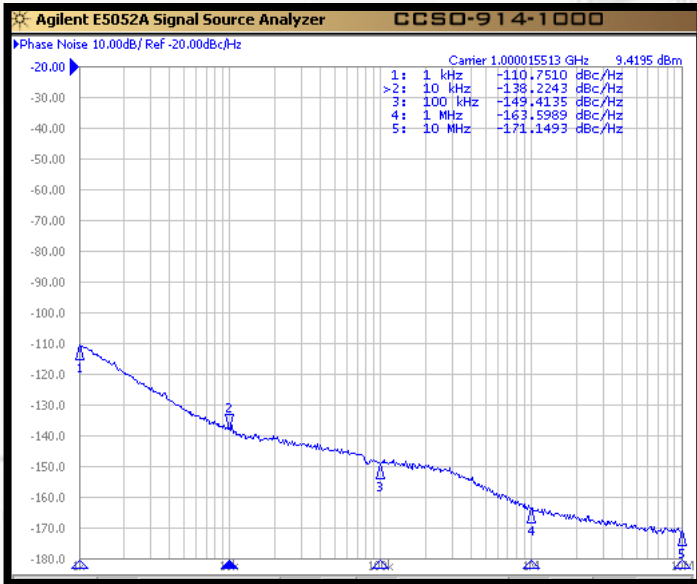
FAX: 239-561-1025 • WWW.CRYSTEK.COM

Rev.: A
Date: 11-08-07



CRYSTEK
CRYSTALS
A DIVISION OF CRYSTEK CORPORATION

CCSO-914X
TRUE SINEWAVE
SAW BASED CLOCK OSC
9X14MM SMD
3.3 & 5.0 VOLT



Available Frequencies (MHz):

300.00	622.017	666.6043
302.00	622.018	669.4169
310.00	622.08	669.577
315.50	622.164	690.65026
359.40	622.31	800.00
433.92	644.60859	868.35
500.30	644.769	916.00

Custom Frequencies Available with NRE Fee

Part Number Information:

CCSO - 914X 3 - 315.000

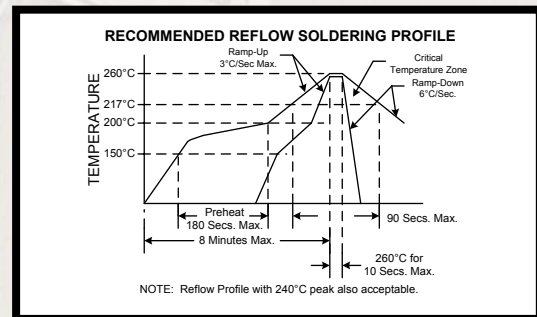
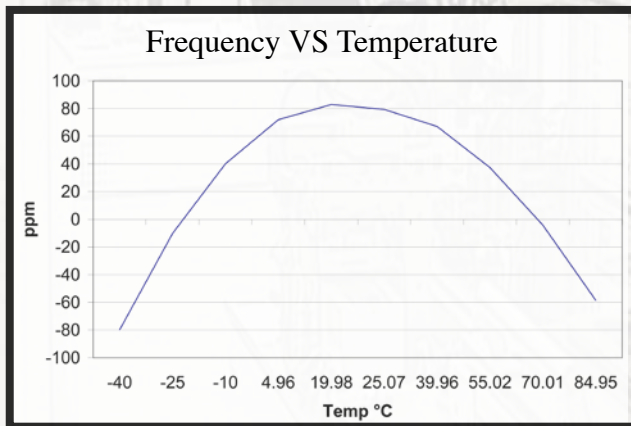
#1 #2 #3 #4

#1 CRYSTEK SAW OSC.

#2 Model 914 with -40/85°C Temperature Range

#3 (3 = 3.3Volts) (Blank = 5 Volts)

#4 Frequency in MHz: 3 or 6 decimal places



Parameter	Conditions
Mechanical Shock	MIL-STD-883, Method 2002, Condition B
Mechanical Vibration	MIL-STD-883, Method 2007, Condition A
Solderability	MIL-STD-883, Method 2003
Solvent Resistance	MIL-STD-202, Method 215
Resistance to Soldering Heat	MIL-STD-202, Method 210, Condition I or J
Thermal Shock	MIL-STD-883, Method 1011, Condition A
Moisture Resistance	MIL-STD-883, Method 1004