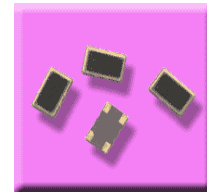




ACT75T- 4 (TCXO)
ACT75VT- 4 (VCTCXO)

The ACT75T/ VT family is a range of TC/ VCTCXOs housed in a ceramic package with a metal lid and is seam welded for good longer term stability The pads are gold plated and the lid is grounded via the package to assist with EMI reduction.

Applications include Networking, Ethernet, Audio & Modem Clocks, Set Top Boxes, Phase Locked Loops, Telecomms, Video Games, WIFI,GPS & many Consumer Applications.



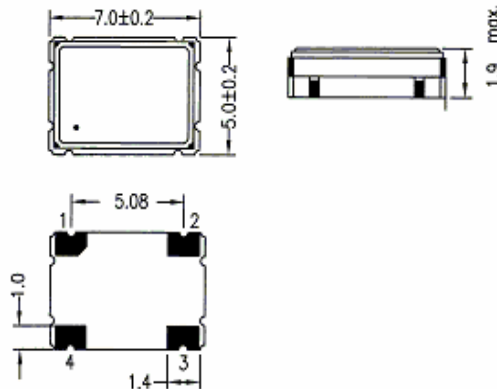
Specification

Parameter	Symbol	Specification	Conditions
Supply Voltage	Vcc	3.0VDC ±5%	
Frequency Range	fo	8.00 ~ 30.00 MHz	Please specify
Temp Operating Range	Topr	See table	Please specify
Temp Storage Range	Tstg	-40 to +85°C	
Initial Calibration Tolerance	Δf/fo	±1.0ppm Typical @ 25°C ±2.0°C	
Frequency Stability			
vs Operating Temp	Δf/fo	See table below for available stabilities	
vs Input Voltage	Vin	±0.3ppm max for 5% change	
vs Load		±0.3ppm max for 10% change	
Aging	Fa	±1ppm / year max @25°C	
Supply Current (max)	Iop	2mA max	
Output Load	N/CL	Clipped Sine : 0.8V p-p min, 10KΩ//10pf Load	
Frequency Tuning Range		±12ppm Typical	VCTCXO Only
Control Voltage Range	Vcont	1.5V ±1.0	VCTCXO Only
Slope Polarity		Positive	VCTCXO Only
Linearity		10% max	VCTCXO Only
Start-up Time	Tosc	2ms max	
SSB Phase Noise (Typical)		-135dBc/Hz max @ 1KHz offset	(For 10.0Mhz Device)

STABILITY Vs OPERATING TEMPERATURE

Deg C	±1.0ppm	±1.5ppm	±2.0ppm	±2.5ppm	±3.0ppm
0~50	★	★	★	★	★
-10~60	★	★	★	★	★
-20~70		★	★	★	★
-30~75		★	★	★	★

DIMENSIONS (mm)



Pad Connections:

- Pad 1: NC for TCXO; Voltage Control for VCTCXO
- Pad 2: Ground
- Pad 3: Output
- Pad 4: Supply Voltage

Please note that all parameters can not necessarily be specified in the same device

Customer to specify : Frequency, Supply Voltage, Frequency Stability, Operating Temperature Range, Polarity & Package

In line with our ongoing policy of product evolution and improvement, the above specification may be subject to change without notice

ISO9001:2000 Registered

For quotations or further information please contact us at:

3 The Business Centre, Molly Millars Lane, Wokingham, Berkshire, RG41 2EY, UK

<http://www.actcrystals.com>

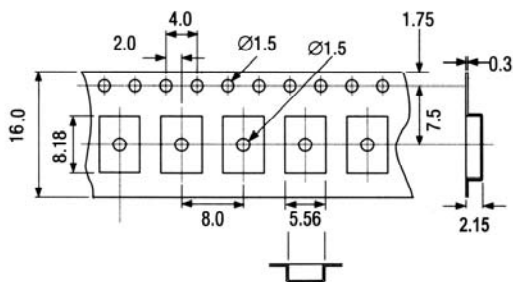
Issue : 3 B3

Date : 15/02/05

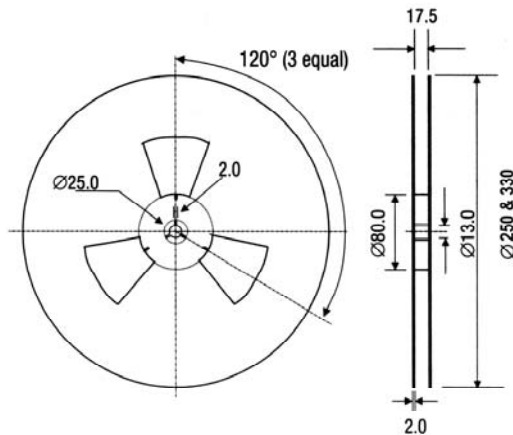
ACT75VT- 4 / ACT75T- 4 TAPE & REEL SPECIFICATIONS

Tape / Reel Dimensions (Units in mm)

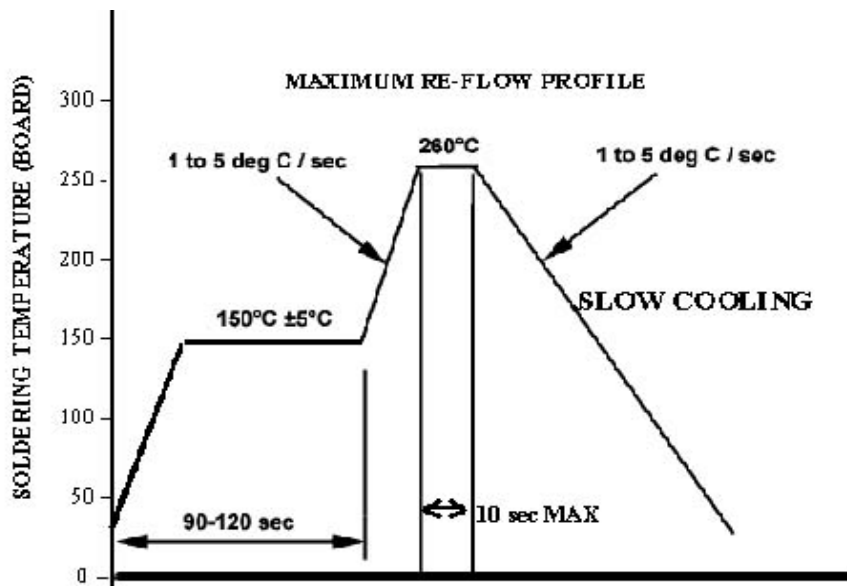
Outline in mm - Tape



Outline in mm - Reel



Soldering Reflow Information



Please note that all parameters can not necessarily be specified in the same device

Customer to specify : Frequency, Supply Voltage, Frequency Stability, Operating Temperature Range, Polarity & Package

In line with our ongoing policy of product evolution and improvement, the above specification may be subject to change without notice

ISO9001:2000 Registered

For quotations or further information please contact us at:

3 The Business Centre, Molly Millars Lane, Wokingham, Berkshire, RG41 2EY, UK

<http://www.actcrystals.com>

Issue : 3 B3

Date : 15/02/05