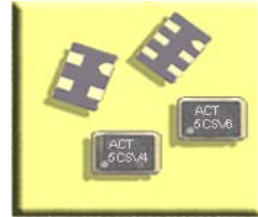


ACT5CSV-4 / ACT5CSV-6 VCXO's

The **ACT5CSV-4 / -6** is a family of 4 / 6-pad miniature surface mount Voltage Controlled Crystal Oscillators (VCXO) housed in a 5 x 3.2 mm ceramic package with a metal lid. Only 1.35mm high they are ideal for high density automatic assembly onto PCB's. These devices can be pulled between $\pm 50\text{ppm}$ & $\pm 100\text{ppm}$ from the nominal frequency by varying the voltage on pin 1.

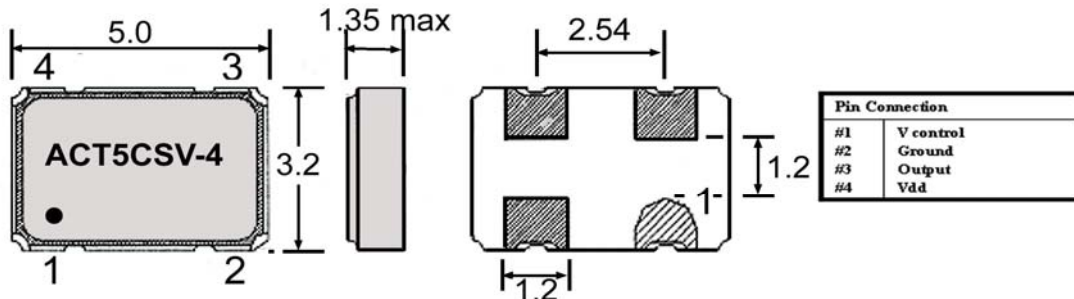
Applications include PLL circuits, Cellular / PCS Telephony, Set Top Box, MP3 Players, Audio/Video, Video Game Consoles, HDTV, SATCOM, GPS Receivers and many more.

Compatible with Eu Directive
2002/EC - RoHS



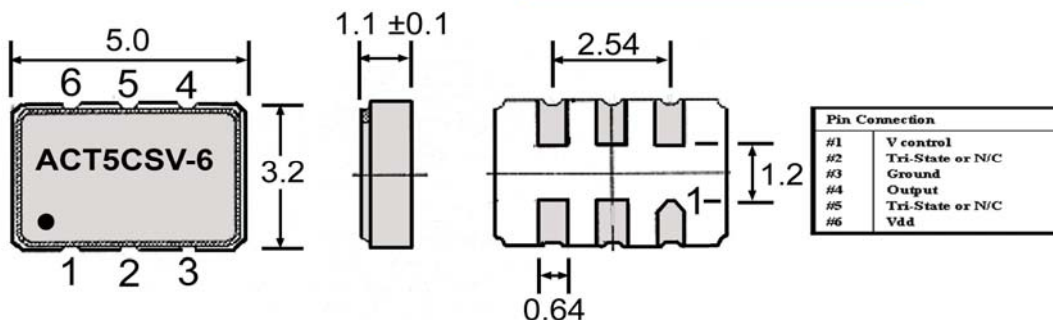
Specification

Parameter	Symbol	Specification		Condition
Supply Voltage	VDD	3.3VDC $\pm 5\%$	5.0VDC $\pm 5\%$ max	Please specify
Frequency Range	f_0	3.25MHz to 77.760MHz		Please specify
Frequency Stability	$\Delta f/f_0$	$\pm 25\text{ppm} \sim 100\text{ppm}$		Please specify
Temp Operating Range	T _{opr}	0 to +70°C (std) & -40 ~ +85°C		Please specify
Storage Temp Range	T _{stg}	-55 to 125°C		
Supply Current	I _{op}	10 ~ 45mA	15 ~ 85mA	Frequency dependent
Duty Cycle	T _w /t	40/60% (std) & 45/55%		Please specify
Rise & Fall Time	T _r /T _f	10nS max		
Output Logic		TTL / HCMOS		
Output Load	N/CL	10TTL / 15pF HCMOS		
Output Voltage	VOL	0.4VDC max (TTL), 10% VDD min (HCMOS)		
	VOH	2.4VDC max (TTL), 90% VDD min (HCMOS)		
Voltage Control	V _c	1.65VDC $\pm 1.65\text{V}$	2.5V $\pm 2.0\text{V}$	
Pulling Range	Δf_c	$\pm 50 \sim \pm 100\text{ppm}$		Please specify
Polarity / Linearity	V _c	Positive / 10% standard 5% option		Please specify
Aging	F _a	$\pm 5\text{ppm} / \text{year max}$		@25°C
6 PAD OPTION		& Pin 5 have the option of Tri-state or N/C. Cannot be the same o		Please specify



Dimensions (mm)

Pad Surface Material Au



Please note that all parameters can not necessarily be specified in the same device

Customer to specify : Voltage, Frequency, Frequency Stability, Operating Temperature Range, Duty Cycle, Supply Voltage Pulling & Symmetry, 6 Pad pin option.

In line with our ongoing policy of product evolution and improvement, the above specification may be subject to change without notice

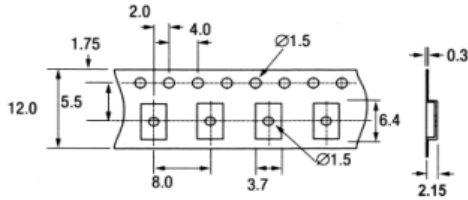
ISO9001:2000 Registered

For quotations or further information please contact us at:
 3 The Business Centre, Molly Millars Lane, Wokingham, Berkshire, RG41 2EY, UK
<http://www.actcrystals.com>

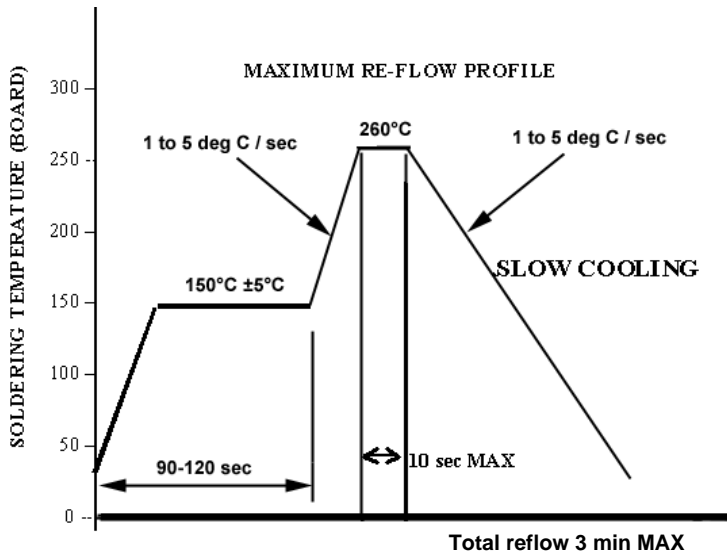
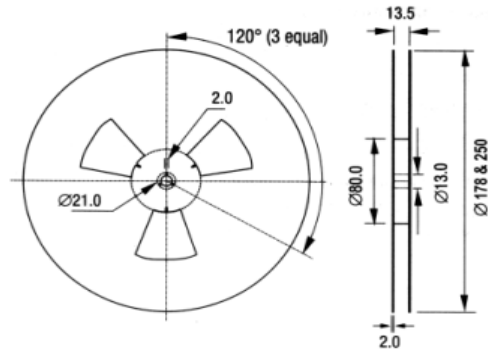
Issue: 4D2
 Date: 06/04/06

ACT5CSV4/6 TAPE AND REEL INFORMATION
STANDARD REEL SIZE 1KPCS

Outline in mm - Tape



Outline in mm - Reel



In line with our ongoing policy of product evolution and improvement, the above specification may be subject to change without notice

ISO9001:2000 Registered

For quotations or further information please contact us at:
 3 The Business Centre, Molly Millars Lane, Wokingham, Berkshire, RG41 2EY, UK
<http://www.actcrystals.com>

Issue: 4D2
 Date: 06/04/06