


Absolute Rotary Encoder

# E6F-A

*Rugged construction providing high-precision timing detection for automatic machines operation*

- Stronger shaft and higher durability (120 N in radial direction and 50 N in thrust direction) than previous E6F Encoders.
- Drip-proof construction meets IP64F standards
- High resolution models (1024 pulses max. per revolution)
- Faster response for high-speed control applications (grey code: 20 kHz).
- Shock resistance strengthened by metal disk. 



## Ordering Information

### Sensors

Supply voltage	Output form	Output code	Resolution (pulses/revolution)	Connection method	Model
5 to 12 VDC	NPN open collector	BCD	360	Pre-wired	<b>E6F-AB5C</b>
12 to 24VDC				Connector type	<b>E6F-AB5C-C</b>
	PNP open collector			Pre-wired	<b>E6F-AB5B</b>
		Gray code	256, 360, 720, 1,024	Pre-wired	<b>E6F-AG5B</b>

Note: 1. For order placement add the resolution (pulses per revolution) between the part number. For example, E6F-AG5B 256 P/R.  
 2. E6F-AB5C-C applied for rotary positioner connection.

Accessories (Order Separately)

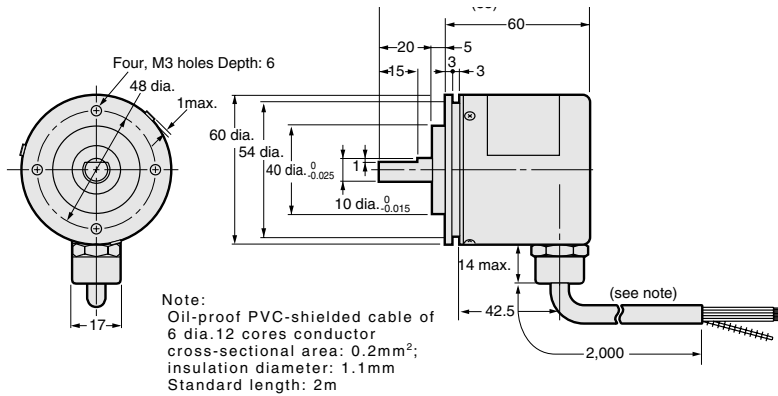
Item	Model	Remarks
Coupling	<b>E69-C10B</b>	Supplied with pre-wired models
	<b>E69-C610B</b>	Different end diameter
	<b>E69-C10M</b>	Metal construction
Mounting Bracket	<b>E69-2</b>	Supplied with the product (set of 3)
Extension Cable	<b>E69-DF5</b>	Standard stock models: 5 m, 10 m. In addition to this 15 m, 20 m and 98 m are available.

Dimensions (Unit: mm)

Sensors

**E6F-AB5C**  
**E6F-AG5B**  
**E6F-AB5B**

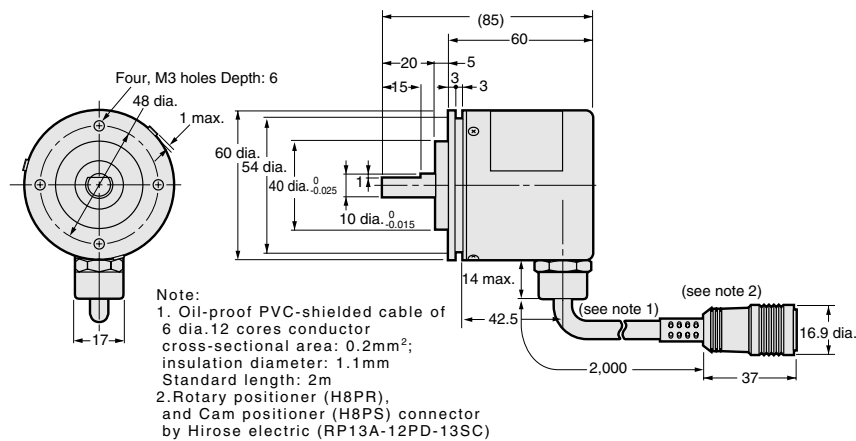
CAD file **E6F\_02**



E69-C10B is attached.

**E6F-AB5C-C**

CAD file **E6F\_01**



E69-C10B is sold separately.