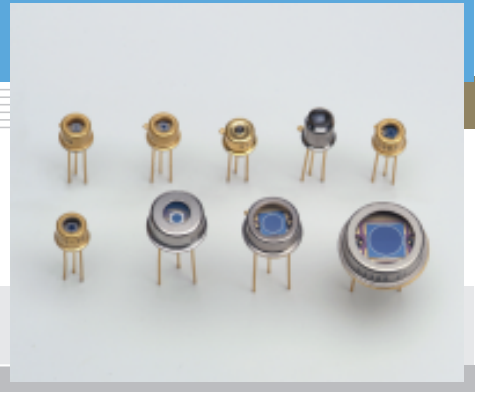


# Si APD

## S2381 to S2385, S5139, S8611, S3884

Low bias operation, for 800 nm band



### Features

- Stable operation at low bias
- High-speed response
- High sensitivity and low noise

### Applications

- Spatial light transmission
- Rangefinder

### ■ General ratings / Absolute maximum ratings

Type No.	Dimensional outline/ Window material *1	Package	Active area *2 size (mm)	Effective active area (mm <sup>2</sup> )	Absolute maximum ratings	
					Operating temperature T <sub>opr</sub> (°C)	Storage temperature T <sub>stg</sub> (°C)
S2381	①/K	TO-18	φ0.2	0.03	-20 to +85	-55 to +125
S2382			φ0.5	0.19		
S5139						
S8611			③/L			
S2383	①/K	φ1.0		0.78		
S2383-10 *3						
S3884	④/K	TO-5	φ1.5	1.77		
S2384			⑤/K	φ3.0		
S2385	⑥/K	TO-8			φ5.0	19.6

### ■ Electrical and optical characteristics (Typ. T<sub>a</sub>=25 °C, unless otherwise noted)

Type No.	Spectral response range λ (nm)	Peak *4 sensitivity wavelength λ <sub>p</sub> (nm)	Photo sensitivity S M=1 λ=800 nm (A/W)	Quantum efficiency QE M=1 λ=800 nm (%)	Breakdown voltage V <sub>BR</sub> I <sub>D</sub> =100 μA		Temp. coefficient of V <sub>BR</sub> (V/°C)	Dark current *4 I <sub>D</sub>		Cut-off *4 frequency f <sub>c</sub> R <sub>L</sub> =50 Ω (MHz)	Terminal *4 capacitance C <sub>t</sub> (pF)	Excess Noise figure *4 x λ=800 nm	Gain M λ=800 nm
					Typ. (V)	Max. (V)		Typ. (nA)	Max. (nA)				
S2381	400 to 1000	800	0.5	75	150	200	0.65	0.05	0.5	1000	1.5	0.3	100
S2382								0.1	1				
S5139										900	3		
S8611								600	6				
S2383										0.2	2		
S2383-10 *3								400	10				
S3884										1	10		
S2384								120	40				
S2385	3	30											
			40	95									
	60	40											
			40	95									

\*1: Window material K: borosilicate glass, L: lens type borosilicate glass

\*2: Active area in which a typical gain can be obtained

\*3: This is a variant of S2383 in which the device chip is light-shielded by aluminum coating except for the active area

\*4: Measured under conditions that the device is operated at the gain listed in the specification table

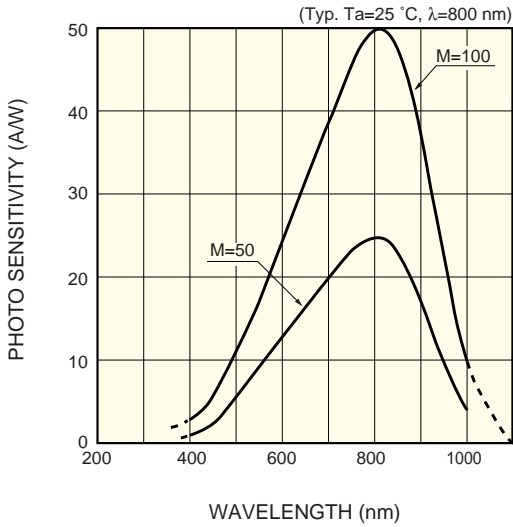
Note) The following different breakdown voltage ranges are available.

S2381, S2382, S5139, S8611, S3884: -01 (80 to 120 V), -02 (120 to 160 V), -03 (160 to 200 V)

S2381-10: -10A (80 to 120 V), -10B (120 to 160 V), -10C (160 to 200 V)

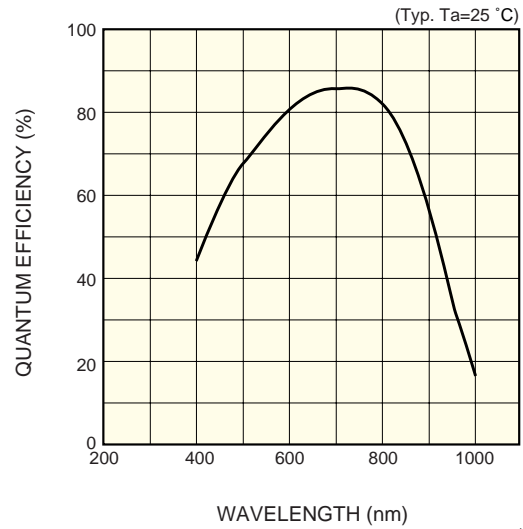
**SOLID STATE DIVISION**

■ Spectral response



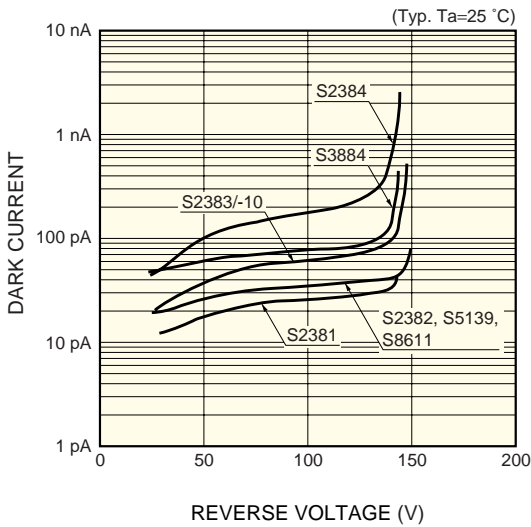
KAPDB0020EB

■ Quantum efficiency vs. wavelength



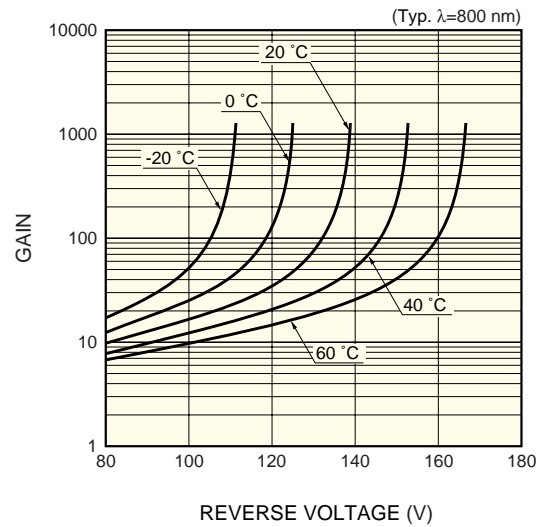
KAPDB0021EA

■ Dark current vs. reverse voltage



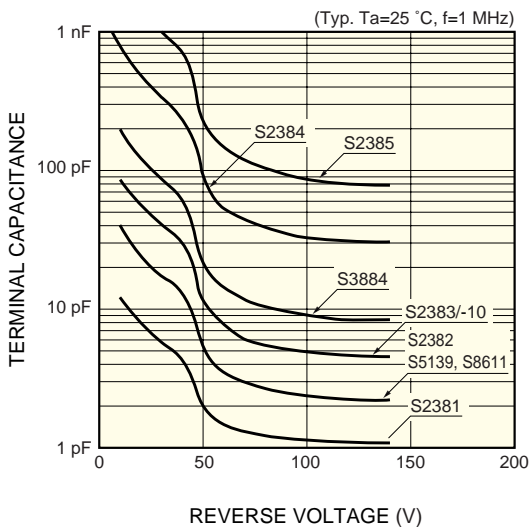
KAPDB0016EC

■ Gain vs. reverse voltage



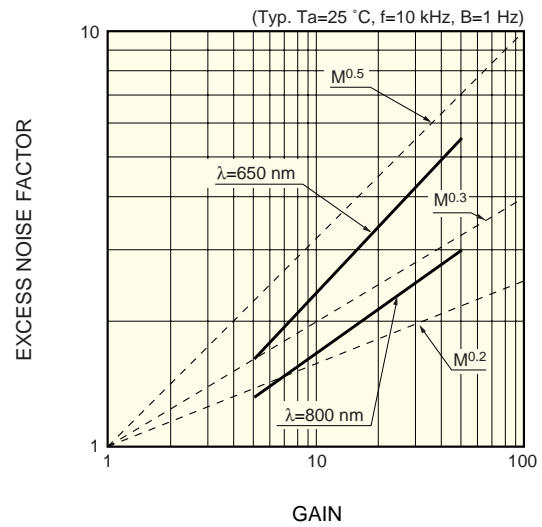
KAPDB0017EC

■ Terminal capacitance vs. reverse voltage



KAPDB0018EC

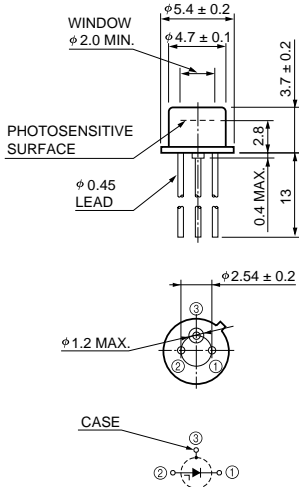
■ Excess noise factor vs. gain



KAPDB0022EA

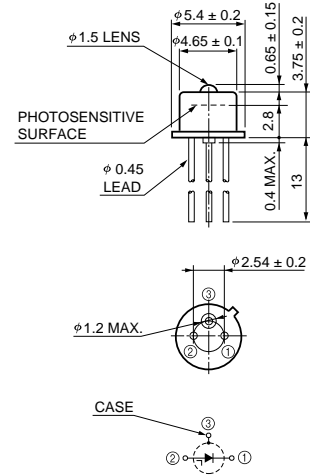
Dimensional outlines (unit: mm)

① S2381, S2382, S2383/-10



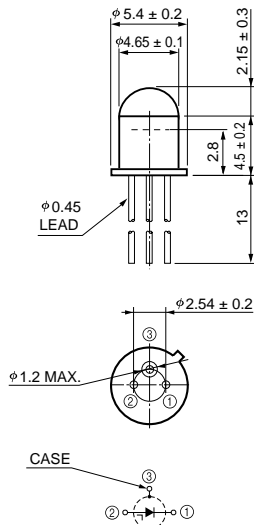
KAPDA0010EA

② S5139



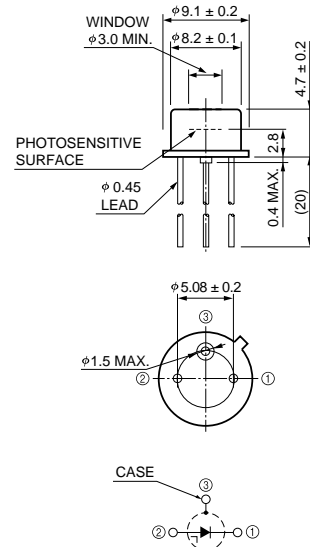
KAPDA0018EA

③ S8611



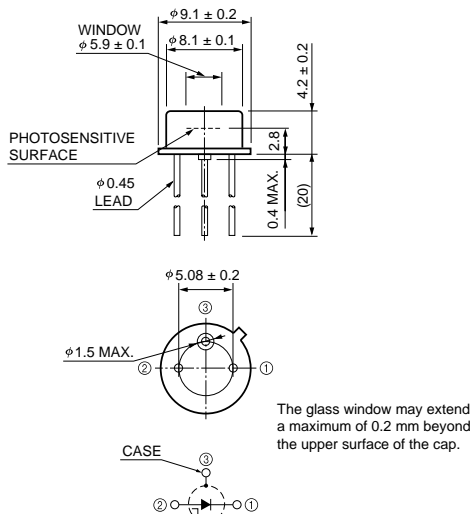
KAPDA0031EA

④ S3884



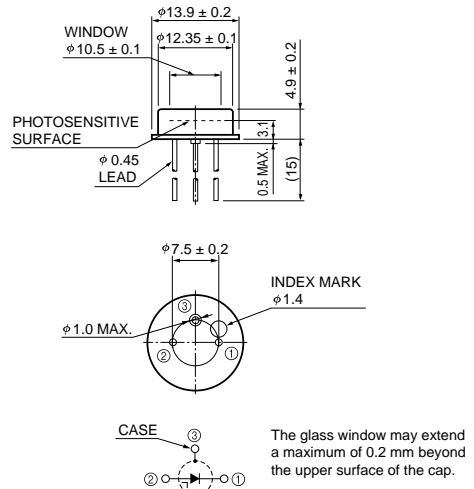
KAPDA0011EB

⑤ S2384



KAPDA0012EA

⑥ S2385



KAPDA0013ED

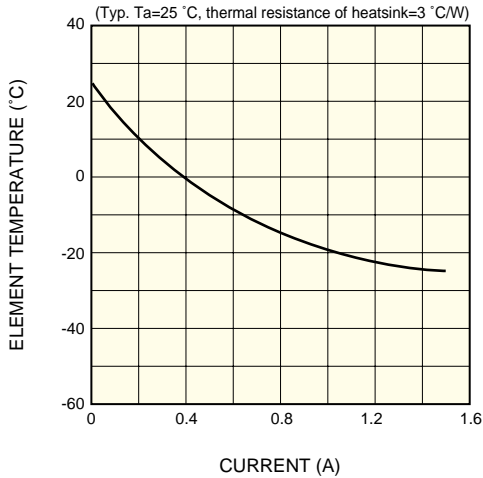
## TE-cooled type APD S4315 series

Parameter	Symbol	Condition	S4315	S4315-01	S4315-02	Unit
APD	-		S2381	S2382	S2383	-
Effective active area *5	-		φ0.2	φ0.5	φ1.0	mm
Spectral response range	$\lambda$		400 to 1000			nm
Peak sensitivity wavelength	$\lambda_p$	M=100	800			nm
Cooling temperature	$\Delta T$		35			°C
Package	-		TO-8			-

\*5: Active area in which a typical gain can be obtained.

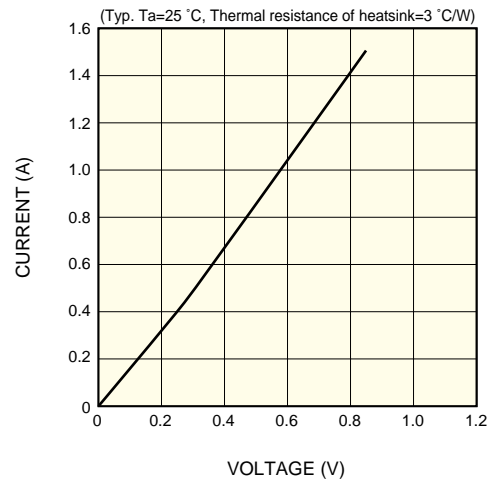
We welcome your request for active areas different from those listed above.

### ■ Cooling characteristic of TE-cooler



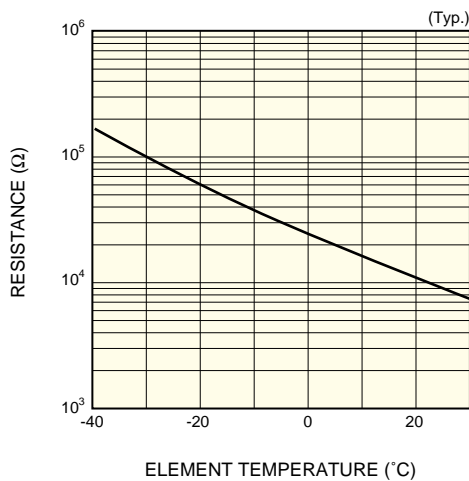
KAPDB0098EA

### ■ Current vs. voltage characteristic of TE-cooler



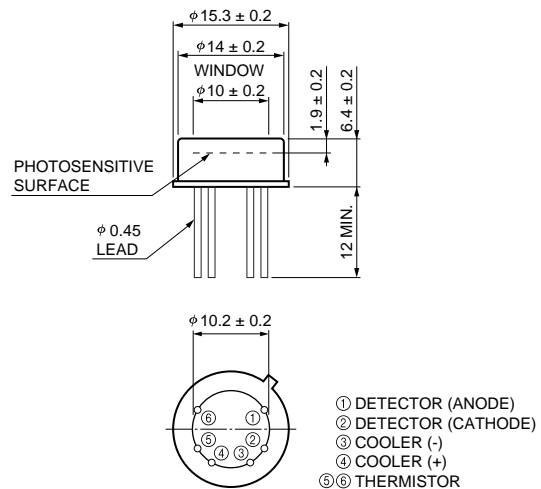
KAPDB0100EA

### ■ Thermistor temperature characteristic



KIRD80116EA

### ■ Dimensional outline (unit: mm)



KAPDA0020EA