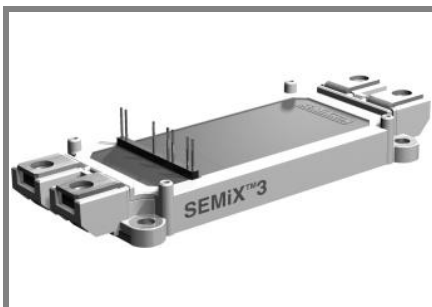


SEMIX 703GB126HD



SEMIX[®] 3

Trench IGBT Modules

SEMIX 703GB126HD

Preliminary Data

Features

- Homogeneous Si
- Trench = Trenchgate technology
- $V_{CE(sat)}$ with positive temperature coefficient
- High short circuit capability

Typical Applications

- AC inverter drives
- UPS
- Electronic Welding

Remarks

- Case temperatur limited to $T_C=125^\circ\text{C}$ max.
- Not for new design

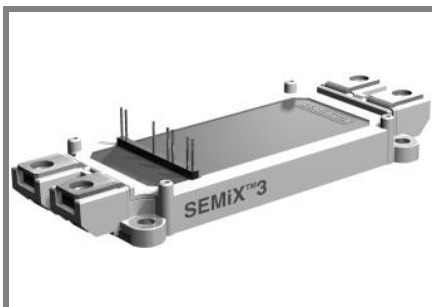
Absolute Maximum Ratings		$T_{case} = 25^\circ\text{C}$, unless otherwise specified		
Symbol	Conditions	Values	Units	
IGBT				
V_{CES}	$T_j = 25^\circ\text{C}$	1200	V	
I_C	$T_j = 150^\circ\text{C}$	$T_c = 25^\circ\text{C}$	650	A
		$T_c = 80^\circ\text{C}$	450	A
I_{CRM}	$I_{CRM} = 2 \times I_{Cnom}$	900	A	
V_{GES}		± 20	V	
t_{psc}	$V_{CC} = 600\text{ V}; V_{GE} \leq 20\text{ V}; T_j = 125^\circ\text{C}$ $V_{CES} < 1200\text{ V}$	10	μs	
Inverse Diode				
I_F	$T_j = 150^\circ\text{C}$	$T_c = 25^\circ\text{C}$	560	A
		$T_c = 80^\circ\text{C}$	380	A
I_{FRM}	$I_{FRM} = 2 \times I_{Fnom}$	900	A	
I_{FSM}	$t_p = 10\text{ ms}; \text{sin.}$	$T_j = 25^\circ\text{C}$	2900	A
Module				
$I_{t(RMS)}$		600	A	
T_{vj}		- 40 ... + 150	$^\circ\text{C}$	
T_{stg}		- 40 ... + 125	$^\circ\text{C}$	
V_{isol}	AC, 1 min.	4000	V	

Characteristics		$T_{case} = 25^\circ\text{C}$, unless otherwise specified			
Symbol	Conditions	min.	typ.	max.	Units
IGBT					
$V_{GE(th)}$	$V_{GE} = V_{CE}, I_C = 18\text{ mA}$	5	5,8	6,5	V
I_{CES}	$V_{GE} = 0\text{ V}, V_{CE} = V_{CES}$			0,3	mA
V_{CE0}		$T_j = 25^\circ\text{C}$	1	1,2	V
		$T_j = 125^\circ\text{C}$	0,9	1,1	V
r_{CE}	$V_{GE} = 15\text{ V}$	$T_j = 25^\circ\text{C}$	1,6	2,1	$\text{m}\Omega$
		$T_j = 125^\circ\text{C}$	2,4	3	$\text{m}\Omega$
$V_{CE(sat)}$	$I_{Cnom} = 450\text{ A}, V_{GE} = 15\text{ V}$	$T_j = 25^\circ\text{C}_{chiplev.}$	1,7	2,15	V
		$T_j = 125^\circ\text{C}_{chiplev.}$	2	2,45	V
C_{ies}	$V_{CE} = 25, V_{GE} = 0\text{ V}$	$f = 1\text{ MHz}$	32,3		nF
C_{oes}			1,69		nF
C_{res}			1,46		nF
Q_G	$V_{GE} = -8 \dots +15\text{V}$		3600		nC
$t_{d(on)}$	$R_{Gon} = 1,6\ \Omega$	$V_{CC} = 600\text{V}$ $I_{Cnom} = 450\text{A}$	310		ns
t_r			60		ns
E_{on}	$R_{Goff} = 1,6\ \Omega$	$T_j = 125^\circ\text{C}$	32		mJ
$t_{d(off)}$			680		ns
t_f			135		ns
E_{off}			68		mJ
$R_{th(j-c)}$	per IGBT		0,061		K/W



GB

SEMiX 703GB126HD



SEMiX[®] 3

Trench IGBT Modules

SEMiX 703GB126HD

Preliminary Data

Features

- Homogeneous Si
- Trench = Trenchgate technology
- $V_{CE(sat)}$ with positive temperature coefficient
- High short circuit capability

Typical Applications

- AC inverter drives
- UPS
- Electronic Welding

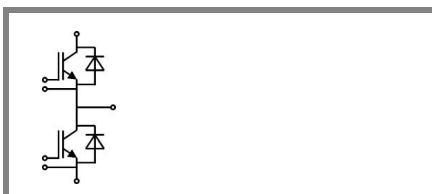
Remarks

- Case temperatur limited to $T_C=125^\circ\text{C}$ max.
- Not for new design

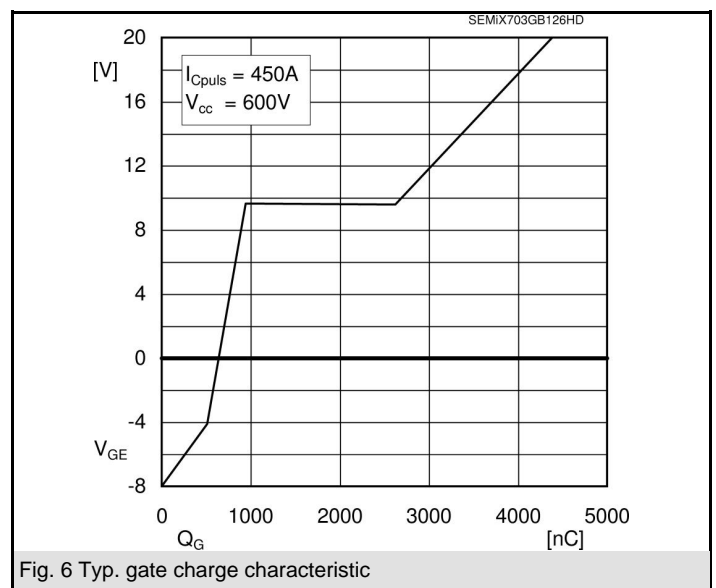
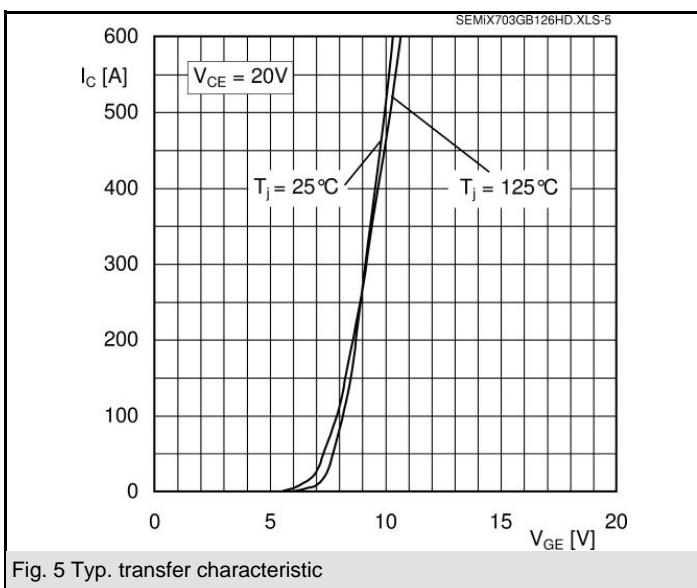
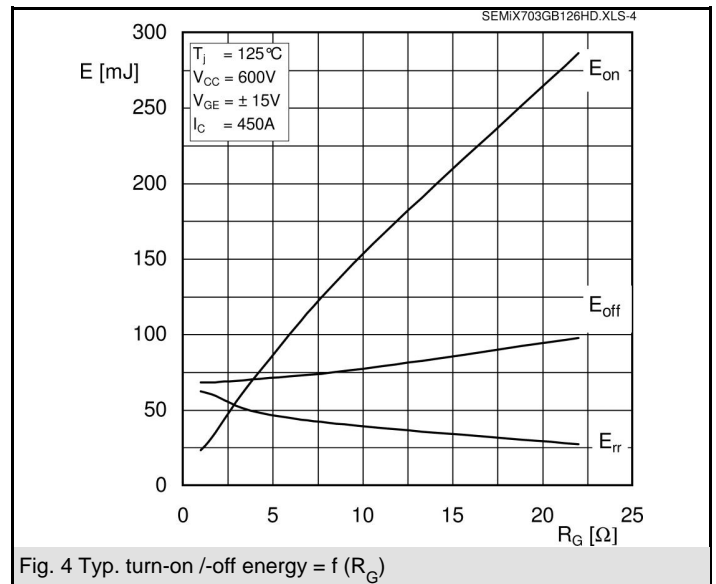
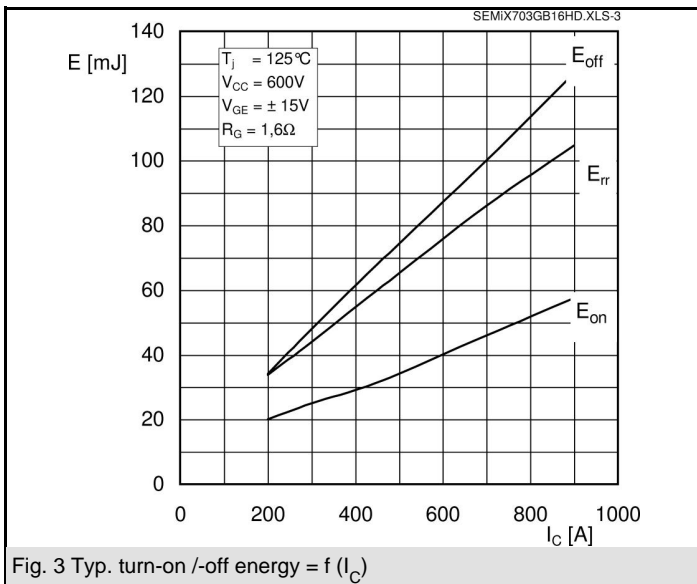
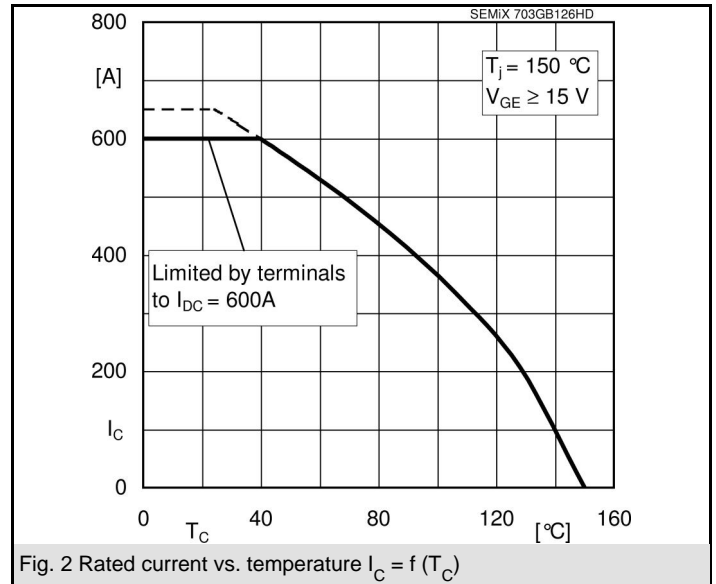
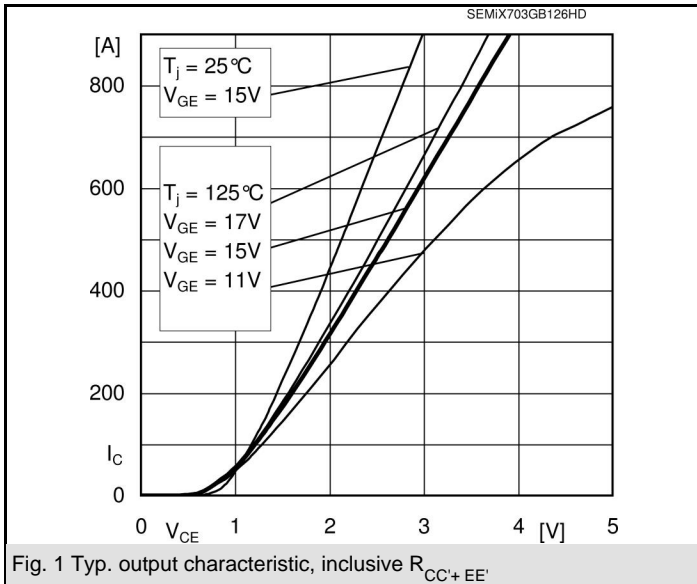
Characteristics		min.	typ.	max.	Units
Inverse Diode					
$V_F = V_{EC}$	$I_{Fnom} = 450 \text{ A}; V_{GE} = 0 \text{ V}$		1,6	1,8	V
	$T_j = 25^\circ\text{C}_{chiplev.}$				
	$T_j = 125^\circ\text{C}_{chiplev.}$		1,6	1,8	V
V_{F0}			1	1,1	V
	$T_j = 25^\circ\text{C}$				
	$T_j = 125^\circ\text{C}$		0,8	0,9	V
r_F			1,3	1,6	mΩ
	$T_j = 25^\circ\text{C}$				
	$T_j = 125^\circ\text{C}$		1,8	2	mΩ
I_{RRM}	$I_{Fnom} = 450 \text{ A}$		580		A
Q_{rr}	$di/dt = 8500 \text{ A}/\mu\text{s}$		130		μC
E_{rr}	$V_{GE} = -15 \text{ V}; V_{CC} = 600 \text{ V}$		60		mJ
$R_{th(j-c)D}$	per diode			0,11	K/W
Module					
L_{CE}			20		nH
$R_{CC'+EE'}$	res., terminal-chip	$T_{case} = 25^\circ\text{C}$	0,7		mΩ
		$T_{case} = 125^\circ\text{C}$	1		mΩ
$R_{th(c-s)}$	per module		0,04		K/W
M_s	to heat sink (M5)		3	5	Nm
M_t	to terminals (M6)		2,5	5	Nm
w				300	g
Temperature sensor					
R_{100}	$T_c = 100^\circ\text{C}$ ($R_{25} = 5 \text{ k}\Omega$)		0,493±5%		kΩ
$B_{100/125}$	$R(T) = R_{100} \exp[B_{100/125} (1/T - 1/T_{100})]$; $T[\text{K}]; B$		3550±2%		K

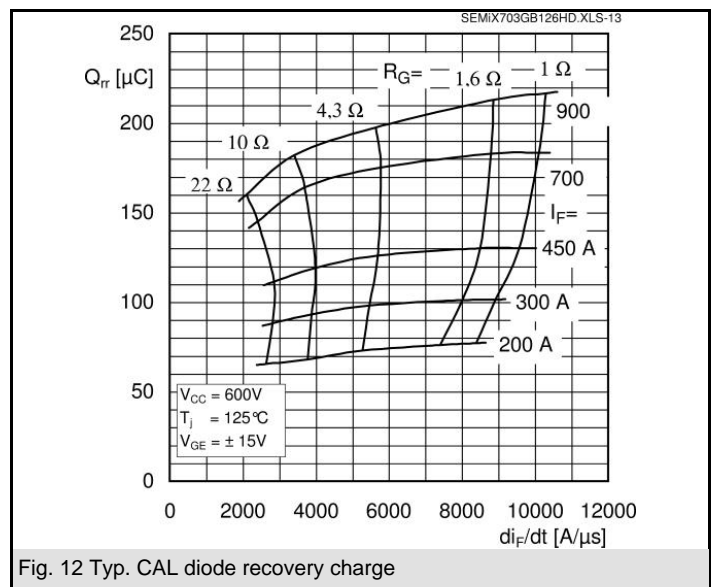
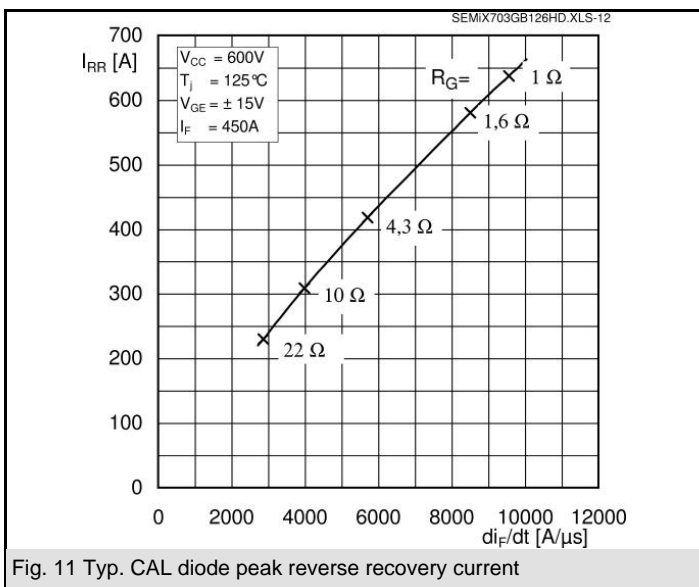
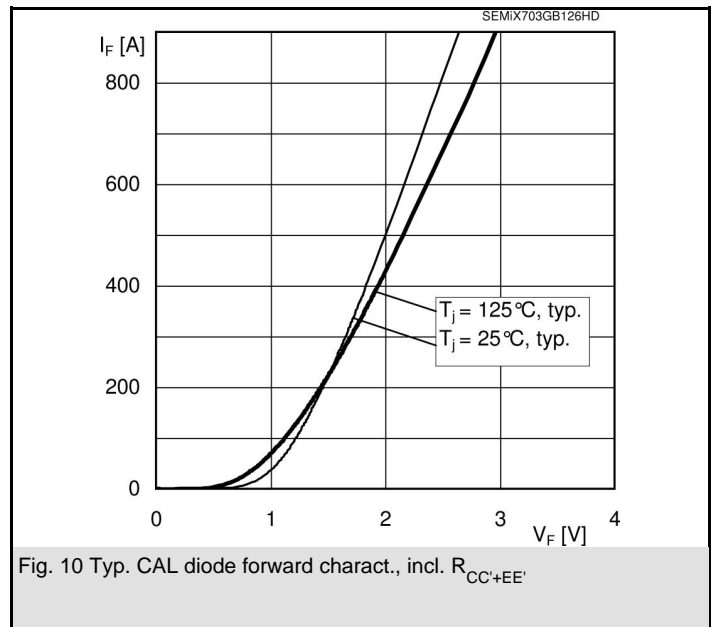
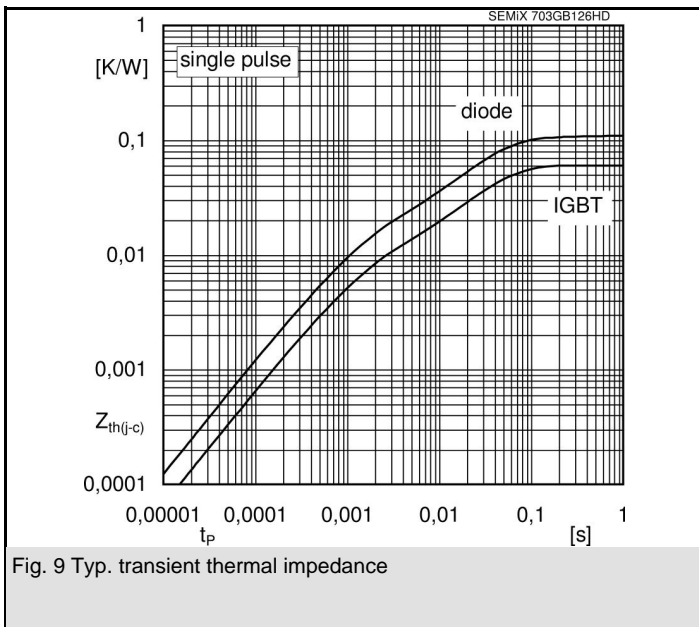
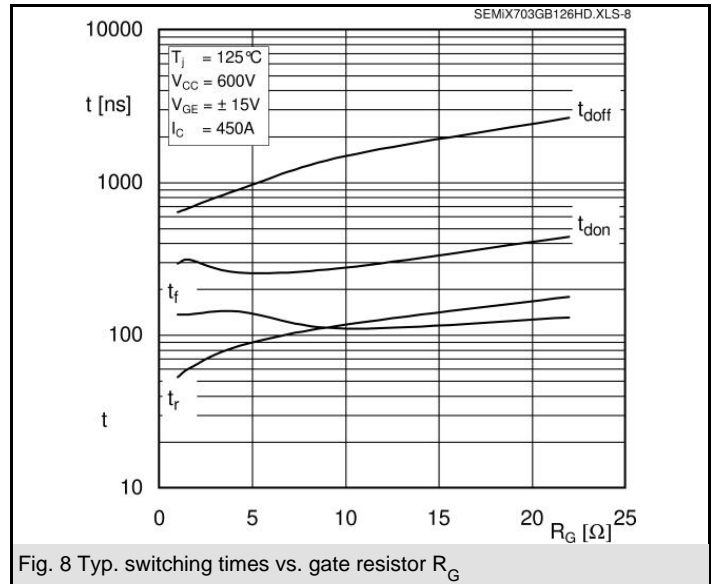
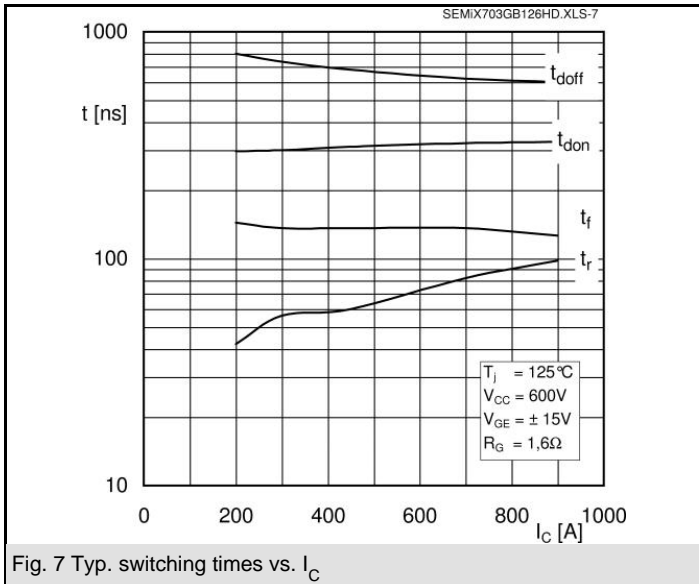
This is an electrostatic discharge sensitive device (ESDS), international standard IEC 60747-1, Chapter IX.

This technical information specifies semiconductor devices but promises no characteristics. No warranty or guarantee expressed or implied is made regarding delivery, performance or suitability.



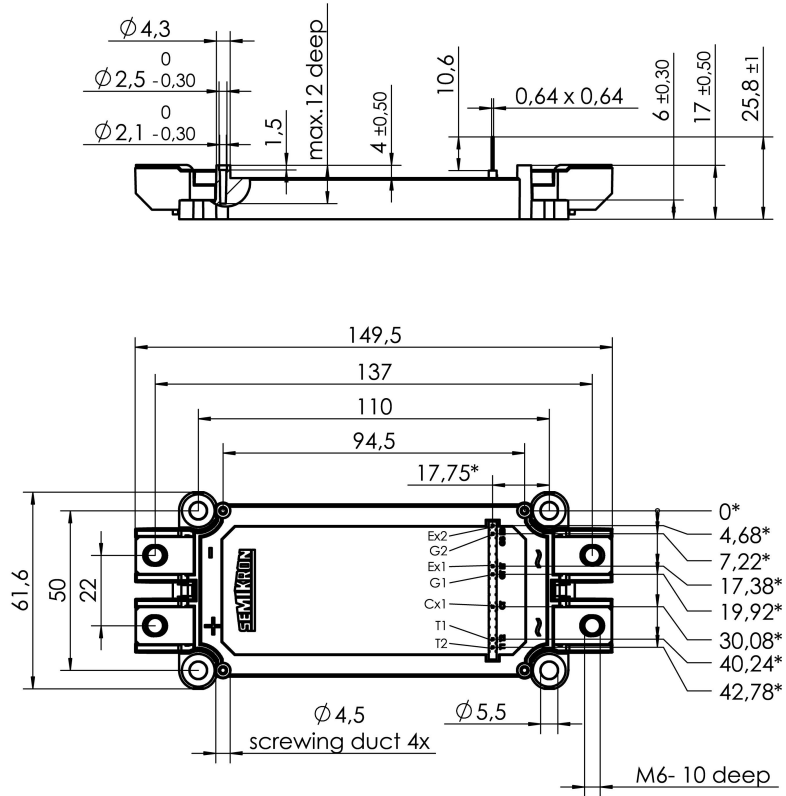
GB





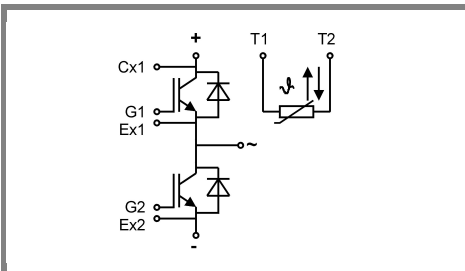
SEMiX 703GB126HD

case: SEMiX 3



* = all measures with $\pm 0,5$

Case SEMiX 3



Pinout

GB