

SMTC3-400

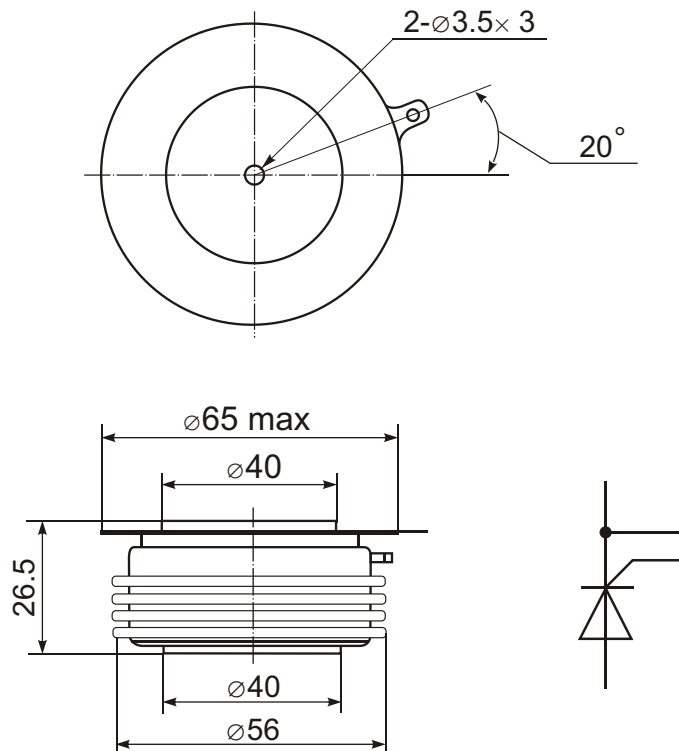


Phase Control Thyristor



| Type | V_{RSM} | V_{RRM} , V_{DRM} |
|--------------|-----------|--------------------------|
| SMTC3-400-24 | 2500 | 2400 |
| SMTC3-400-26 | 2700 | 2600 |
| SMTC3-400-28 | 2900 | 2800 |
| SMTC3-400-30 | 3100 | 3000 |
| SMTC3-400-32 | 3300 | 3200 |
| SMTC3-400-34 | 3500 | 3400 |
| SMTC3-400-36 | 3700 | 3600 |

| Type | I_{TAVM} $T_c=55^\circ\text{C}$ | I_{TRMS} | I_{TSM} | $(di/dt)_{cr}$ | $(dv/dt)_{cr}$ | V_{TM} | I_{TM} | V_{TO} | r_T | t_q | V_{GT} | I_{GT} | T_{VJM} | R_{thJC} | F |
|-----------|--------------------------------------|------------|-----------|------------------|------------------|----------|----------|----------|------------|---------------|----------|----------|------------------|------------|----|
| | A | A | kA | A/ μs | V/ μs | V | kA | V | m Ω | μs | V | mA | $^\circ\text{C}$ | K/W | kN |
| SMTC3-400 | 400 | 650 | 3.7 | 200 | 1000 | 2.3 | 1.15 | 1.15 | 1.05 | 350 | 2.5 | 250 | 125 | 0.040 | 20 |



Features:

- Hermetic metal case with ceramic insulator
- Capsule packages for double sided cooling
- International standard case
- Amplifying gates

Typical Applications:

- DC motor control
- AC motor soft starter
- Controlled rectifiers
- AC controllers