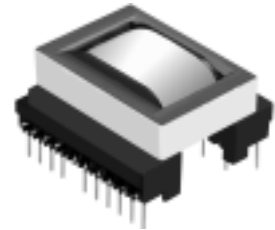


Type: EPH2714

◆ **Product Description**

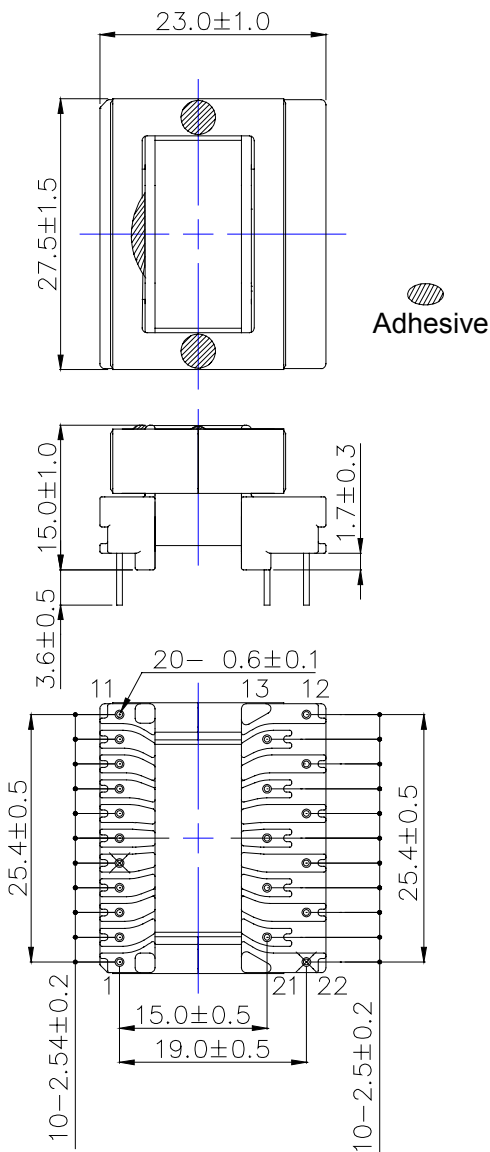
- 29.0×24.0mm Max.(L×W), 16.0mm Max. Height.
- Custom design is available.



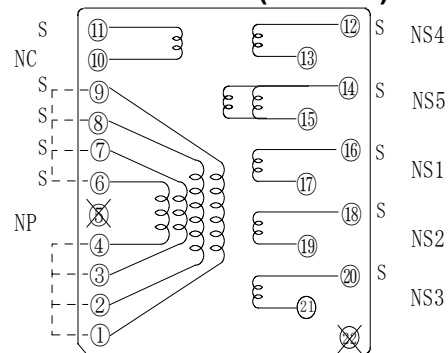
◆ **Feature**

- Max. Operating frequency 300kHz. Max. Operating power 30.0W(300kHz)
- Ideally used in Switching regulator, HID.
- RoHS Compliance

◆ **Dimensions (mm)**



◆ **Schematics (Bottom)**



“S” is winding start

* ①②③④ and ⑥⑦⑧⑨ to be shorted when using.

◆ **Specification**

Sample No.	1396-G004
Inductance (6-4) (1kHz /1V)	10.8 μ H ± 30% Within
Hi-POT (50/60Hz) (NP,NC,NS1,NS2,NS3,NS4,NS5 -Core)	AC 1500 Vrms 1 Minute
Hi-POT (50/60Hz) (NP,NC-NS1,NS2,NS3,NS4,NS5)/(NS1-NS2-NS3-NS4-NS5)	AC 1500 Vrms 1 Minute
Insulating Resistance (DC 1000V)	100MΩ Min.