

Type: CSLF2520

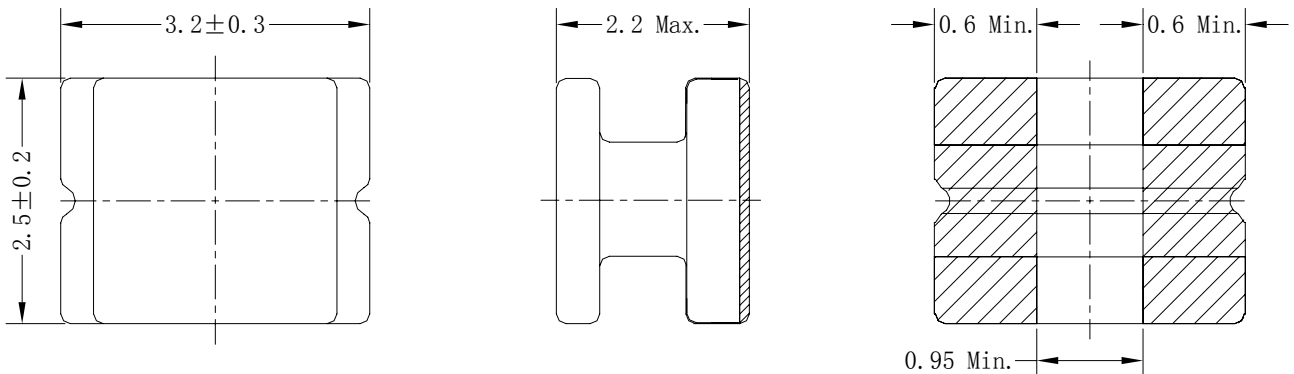
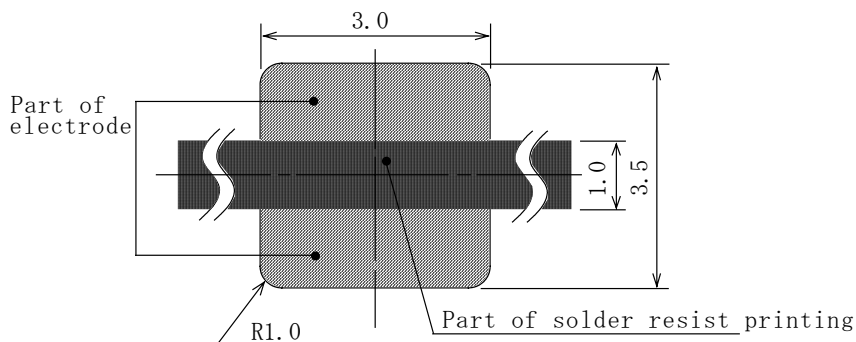
UNDER DEVELOPMENT

◆ Product Description

- 3.5×2.7mm Max.(L×W), 2.2mm Max. Height.
- Inductance Range: 1.0 μH~560 μH
- Rated current range: 0.04~0.445 A
- Custom design is available.

◆ Feature

- Miniature chip inductor, ferrite core used.
- High Q value at high frequencies and low D.C.R.
- Low THD for signal circuit.
- Ideally used in mini-type power circuit and signal circuit.
- RoHS Compliance

◆ Dimensions (mm)

◆ Land Pattern (mm)


Type: CSLF2520
◆ Specification

Part No.	Stamp	Inductance (μH) ※1	D.C.R. (Ω)[Max.]	Qu [Min.] ※1	Self Resonance Frequency (MHz)[Min.]	Rated Current (mA)※2
CSLF2520NP-1R0NC	AA	1.0 \pm 30%	0.5	20	100	445
CSLF2520NP-1R2NC	AB	1.2 \pm 30%	0.6	20	100	425
CSLF2520NP-1R5MC	AC	1.5 \pm 20%	0.6	20	75	400
CSLF2520NP-1R8MC	AD	1.8 \pm 20%	0.7	20	60	390
CSLF2520NP-2R2MC	AE	2.2 \pm 20%	0.8	20	50	370
CSLF2520NP-2R7MC	AF	2.7 \pm 20%	0.9	20	43	320
CSLF2520NP-3R3MC	AG	3.3 \pm 20%	1.0	20	38	300
CSLF2520NP-3R9MC	AH	3.9 \pm 20%	1.1	20	35	290
CSLF2520NP-4R7MC	AI	4.7 \pm 20%	1.2	20	31	270
CSLF2520NP-5R6MC	AJ	5.6 \pm 20%	1.3	20	28	250
CSLF2520NP-6R8MC	AK	6.8 \pm 20%	1.5	20	25	240
CSLF2520NP-8R2MC	AL	8.2 \pm 20%	1.6	20	23	225
CSLF2520NP-100MC	AM	10 \pm 20%	1.8	35	20	190
CSLF2520NP-100KC	AN	10 \pm 10%	1.8	35	20	190
CSLF2520NP-120MC	AO	12 \pm 20%	2.0	35	18	180
CSLF2520NP-120KC	AP	12 \pm 10%	2.0	35	18	180
CSLF2520NP-150MC	AQ	15 \pm 20%	2.2	35	16	170
CSLF2520NP-150KC	AR	15 \pm 10%	2.2	35	16	170
CSLF2520NP-180MC	AS	18 \pm 20%	2.5	35	15	165
CSLF2520NP-180KC	AT	18 \pm 10%	2.5	35	15	165
CSLF2520NP-220MC	AU	22 \pm 20%	2.8	35	14	150
CSLF2520NP-220KC	AV	22 \pm 10%	2.8	35	14	150
CSLF2520NP-270MC	AW	27 \pm 20%	3.1	35	13	125
CSLF2520NP-270KC	AX	27 \pm 10%	3.1	35	13	125
CSLF2520NP-330MC	AY	33 \pm 20%	3.5	40	12	115
CSLF2520NP-330KC	AZ	33 \pm 10%	3.5	40	12	115
CSLF2520NP-390MC	BA	39 \pm 20%	3.9	40	11	110
CSLF2520NP-390KC	BB	39 \pm 10%	3.9	40	11	110
CSLF2520NP-470MC	BC	47 \pm 20%	4.3	40	11	100
CSLF2520NP-470KC	BD	47 \pm 10%	4.3	40	11	100

Type: CSLF2520

Part No.	Stamp	Inductance (μH) ※1	D.C.R. (Ω)[Max.]	Qu [Min.] ※1	Self Resonance Frequency (MHz)[Min.]	Rated Current(mA) ※2
CSLF2520NP-560MC	BE	56 \pm 20%	4.9	40	10	85
CSLF2520NP-560KC	BF	56 \pm 10%	4.9	40	10	85
CSLF2520NP-680MC	BG	68 \pm 20%	5.5	40	9.0	80
CSLF2520NP-680KC	BH	68 \pm 10%	5.5	40	9.0	80
CSLF2520NP-820MC	BI	82 \pm 20%	6.2	40	8.5	70
CSLF2520NP-820KC	BK	82 \pm 10%	6.2	40	8.5	70
CSLF2520NP-101MC	BL	100 \pm 20%	7.0	40	8.0	80
CSLF2520NP-101KC	BM	100 \pm 10%	7.0	40	8.0	80
CSLF2520NP-121MC	BN	120 \pm 20%	8.0	40	7.5	75
CSLF2520NP-121KC	BO	120 \pm 10%	8.0	40	7.5	75
CSLF2520NP-151MC	BP	150 \pm 20%	9.3	40	7.0	70
CSLF2520NP-151KC	BQ	150 \pm 10%	9.3	40	7.0	70
CSLF2520NP-181MC	BR	180 \pm 20%	10.2	40	6.0	65
CSLF2520NP-181KC	BS	180 \pm 10%	10.2	40	6.0	65
CSLF2520NP-221MC	BT	220 \pm 20%	11.8	40	5.5	65
CSLF2520NP-221KC	BU	220 \pm 10%	11.8	40	5.5	65
CSLF2520NP-271MC	BV	270 \pm 20%	12.5	40	5.0	65
CSLF2520NP-271KC	BW	270 \pm 10%	12.5	40	5.0	65
CSLF2520NP-331MC	BX	330 \pm 20%	13.0	40	5.0	65
CSLF2520NP-331KC	BY	330 \pm 10%	13.0	40	5.0	65
CSLF2520NP-391MC	BZ	390 \pm 20%	22.0	50	5.0	50
CSLF2520NP-391KC	CA	390 \pm 10%	22.0	50	5.0	50
CSLF2520NP-471MC	CB	470 \pm 20%	25.0	50	5.0	45
CSLF2520NP-471KC	CC	470 \pm 10%	25.0	50	5.0	45
CSLF2520NP-561MC	CD	560 \pm 20%	28.0	50	5.0	40
CSLF2520NP-561KC	CE	560 \pm 10%	28.0	50	5.0	40

※1 Measuring condition:

1.0 μH ~ 82 μH	Inductance at 1MHz, 0.1Vrms	Qu at 1MHz, 0.1Vrms
100 μH ~ 390 μH	Inductance at 1MHz, 0.1Vrms	Qu at 796kHz, 0.1Vrms
470 μH ~ 560 μH	Inductance at 1kHz, 0.1Vrms	Qu at 796kHz, 0.1Vrms

※2 Rated current: The DC current at which the inductance decreases to 90% of it's initial value or when $\Delta t=40^{\circ}\text{C}$, whichever is lower ($T_a=20^{\circ}\text{C}$).