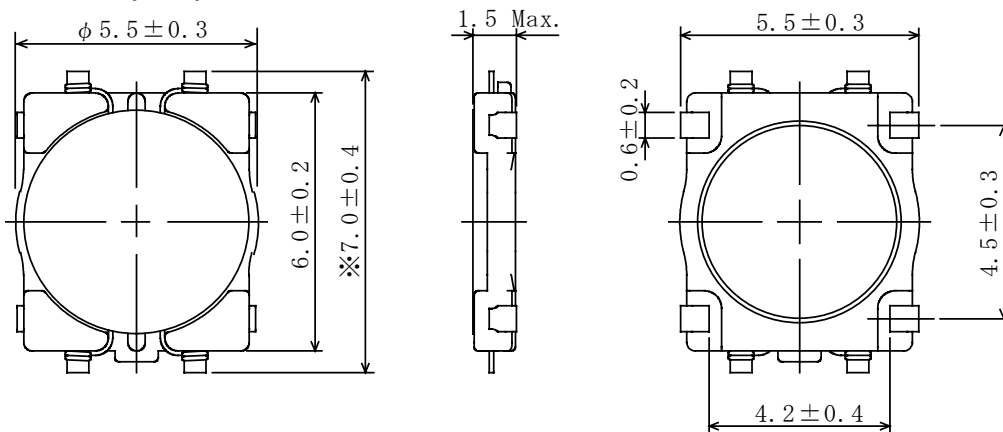
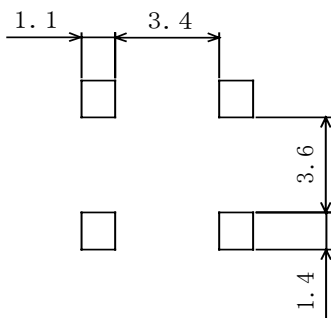
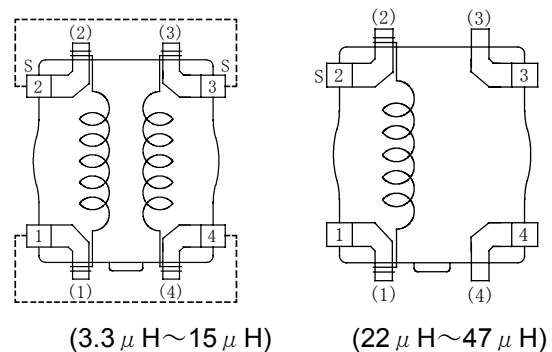


**Type: CMD5D13**
**◆ Product Description**

- 7.4×5.8mm Max.(L×W),1.5mm Max. Height.
- Inductance range: 3.3~47 μ H
- Rated current range: 0.35~1.25A.
- 4 Terminal pins' type gives a flexible design as inductors or transformers(SEPIC,ZETA circuit).
- In addition to the standards versions used as power inductors shown here, custom designs as transformers(SEPIC,ZETA circuit) and inductors are also available.


**◆ Feature**

- Magnetically unshielded construction.
- Ideally used in portable devices such as Mobilephone,DSC/DVC,MP3,PDA, etc as DC-DC Converter inductors, specially suitable for White LED drive.
- RoHS Compliance

**◆ Dimensions (mm)**

**◆ Land Pattern (mm)**

**◆ Schematics(Bottom)**


"S" is winding start.

**Terminal Pins(1#) and (4#),(2#) and (3#) are short connected when used as an inductor.**

**Type: CMD5D13**
**◆ Specification**

Part No. ※	Stamp	Inductance ( $\mu$ H) [Within] 100kHz/1V	D.C.R.(m $\Omega$ ) Max.(Typ.) (at 20°C)	Saturation Current (A) (at 20°C)※1	Temperature Rise current (A) ※2
CMD5D13NP-3R3M□	3R3	3.3±20%	81 (65)	1.90	1.25
CMD5D13NP-4R7M□	4R7	4.7±20%	106 (85)	1.50	1.20
CMD5D13NP-6R8M□	6R8	6.8±20%	144 (115)	1.40	0.90
CMD5D13NP-100M□	100	10±20%	187 (150)	1.00	0.85
CMD5D13NP-150M□	150	15±20%	300 (240)	0.95	0.57
CMD5D13NP-220M□	220	22±20%	431 (345)	0.80	0.54
CMD5D13NP-330M□	330	33±20%	637 (510)	0.70	0.38
CMD5D13NP-470M□	470	47±20%	875 (700)	0.55	0.35

Terminal Pins(1<sup>#</sup>) and (4<sup>#</sup>),(2<sup>#</sup>) and (3<sup>#</sup>) are short connected when measuring.

**※ Description of Part Name**

CMD5D13NP-3R3M□

- B Box
- C Carrier Tape

※1.Saturation current: The DC current at which the inductance decreases to 90% of it's initial value.

※2.Temperature rise current: The DC current at which the temperature rise is  $\Delta t=40^{\circ}\text{C}$ .( $T_a=20^{\circ}\text{C}$ )