

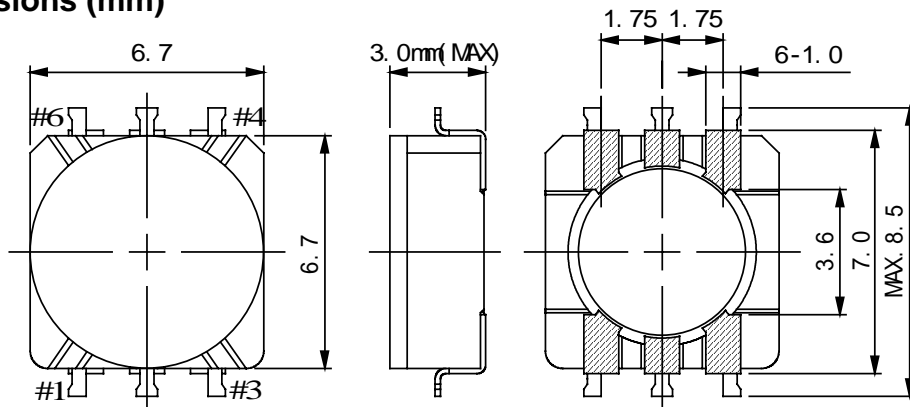
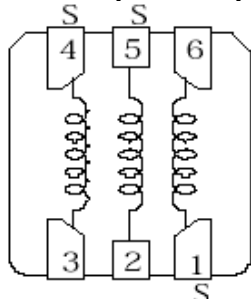
Type: CLS6D28B

*Preliminary*
**Product Description**

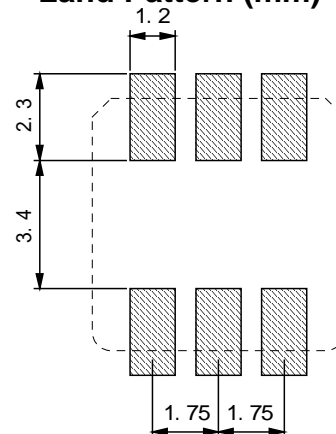
- 6.7 × 6.7mm Max.(L × W), 3.0mm Max. Height.
- 6 Terminal pins' type gives a flexible design as inductors or transformers (SEPIC,ZETA circuit).
- Custom design is available.


**Feature**

- Magnetically shielded construction.
- Max. Operating frequency 1MHz, Max. Operating power 5.0W.
- Ideally used in the power supply for DSC, Note PC, DVC and W-LED backlight.
- RoHS Compliance

**Dimensions (mm)**

**Schematics (Bottom)**


"S" indicates winding start.

**Land Pattern (mm)**

**Specification**

Sample No.	Inductance (4-3)/(2-5)/(1-6) (100kHz/1.0V)	D.C.R. (1-6)	D.C.R. (2-5)/(3-4)	Rated current (1-2-3)Tie (4,5,6)
A536-SZK-001	10 μ H ± 30%	120m Max.	150m Max.	0.75A

Rated current: The D.C. current at which the inductance decreases to 90% of it's initial value or when  $t=40$  , whichever is lower ( $T_a=20$  ).