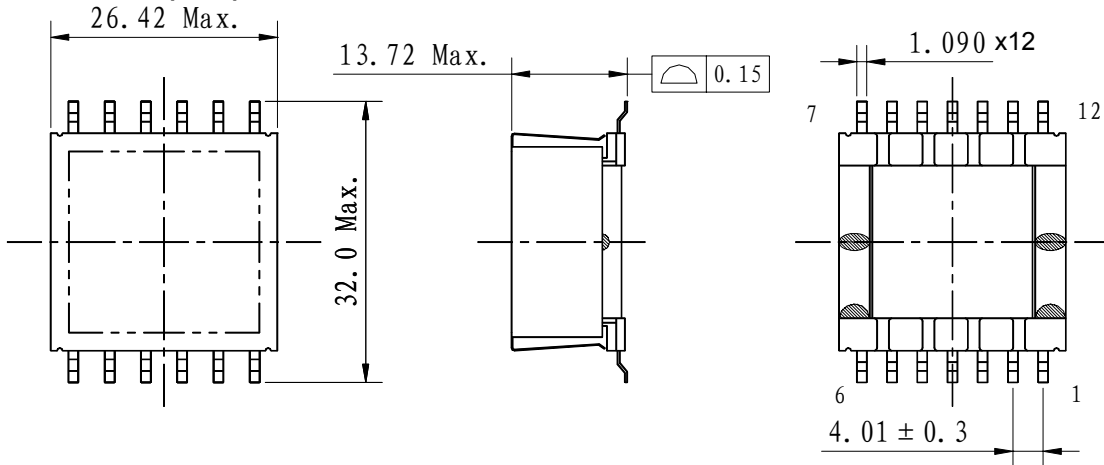
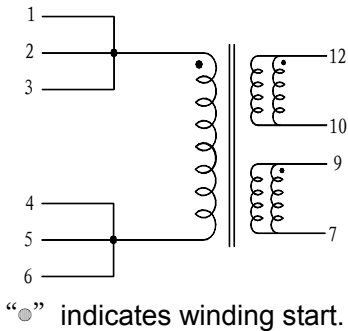
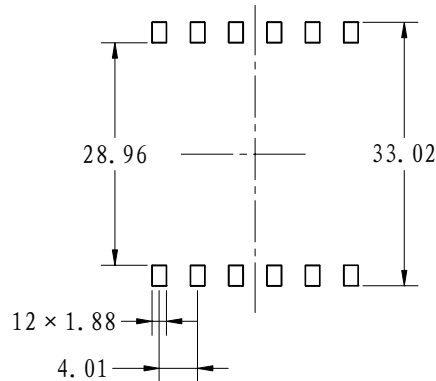


Type: CEFD2513B
◆ Product Description

- 32.0×26.5mm Max.(L×W), 13.72mmMax. Height.
- In addition to the typical versions of parameters shown here, custom parameters are available to meet your exact requirements.


◆ Feature

- Max. Operating frequency 500kHz,Max. Operating Power 54.0(500kHz).
- Ideally used in PoE transformer.
- RoHS Compliance

◆ Dimensions (mm)

◆ Schematics (Bottom)

◆ Land Pattern

◆ Specification

Sample No.	Turns Ratio (Pri:Sec:Aux)	Primary Inductance 100kHz/0.1V	Pri-Sec. Insulation	Leakage L (μ H Max.)	D.C.R. (m Ω Max.)		
					Pri.	Aux.	Sec.
PS05-045	3:11:11	13.8 μ H ± 25%	AC2250Vrms (0.5mA/60Hz,2s)	0.5	4.0	50	50