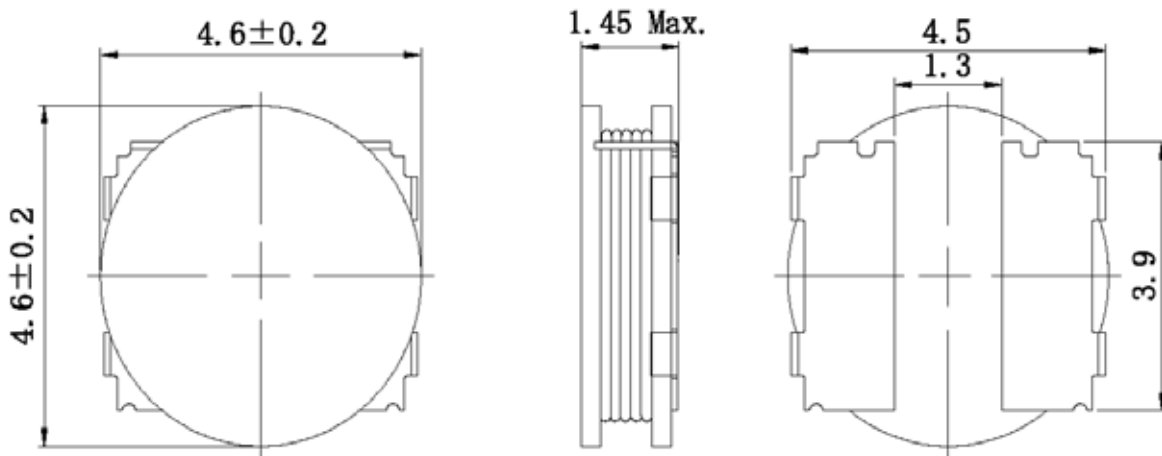
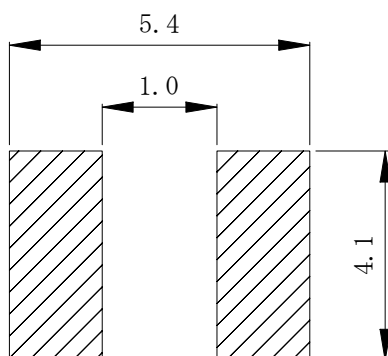


Type: CDH46D14/SHP
◆ Product Description

- 4.8×4.8mm Max.(L×W), 1.45mm Max. Height.
- Inductance range: 1.0~22 μ H
- Rated current range: 0.70~2.65A
- In addition to the standard versions of inductors shown here, custom inductors are available to meet your exact requirements.


◆ Feature

- Magnetically unshielded construction.
- Ideally used in Mobile phone, PDA, MP3, DSC/DVC, HDD etc as DC-DC Converter inductors.
- RoHS Compliance.

◆ Dimensions (mm)

◆ Land Pattern (mm)


Type: CDH46D14/SHP
◆ Specification

Part Name ※	Stamp	Inductance (μ H) 100kHz/1V	D.C.R. Max.(Typ.) ($m\Omega$)(20°C)	Saturation Current (A) ※1		Temperature Rise Current (A) ※2
				20°C	105°C	
CDH46D14SHPNP-1R0M□	1R0	1.0±20%	51.4(41.1)	3.95	3.30	2.65
CDH46D14SHPNP-1R5M□	1R5	1.5±20%	61.4(49.1)	3.45	2.88	2.60
CDH46D14SHPNP-1R8M□	1R8	1.8±20%	70.1(56.1)	3.20	2.65	2.50
CDH46D14SHPNP-2R2M□	2R2	2.2±20%	80.3(64.2)	2.95	2.44	2.35
CDH46D14SHPNP-3R3M□	3R3	3.3±20%	113(90.7)	2.50	2.00	1.95
CDH46D14SHPNP-4R7M□	4R7	4.7±20%	175(140)	2.00	1.65	1.60
CDH46D14SHPNP-5R6M□	5R6	5.6±20%	203(162)	1.82	1.50	1.40
CDH46D14SHPNP-6R8M□	6R8	6.8±20%	221(177)	1.70	1.40	1.35
CDH46D14SHPNP-8R2M□	8R2	8.2±20%	255(204)	1.55	1.28	1.25
CDH46D14SHPNP-100M□	100	10±20%	274(219)	1.44	1.20	1.20
CDH46D14SHPNP-120M□	120	12±20%	389(311)	1.30	1.05	0.95
CDH46D14SHPNP-150M□	150	15±20%	463(370)	1.15	0.95	0.90
CDH46D14SHPNP-180M□	180	18±20%	574(459)	1.05	0.88	0.80
CDH46D14SHPNP-220M□	220	22±20%	748(598)	0.95	0.77	0.70

※ Description of part name

CDH46D14SHPNP-1R0M□

└──	B	Box
└──	C	Carrier Tape

※1.Saturation Current: The DC current at which the inductance decreases to 70% of its nominal value.

 ※2.Temperature Rise Current: The DC current at which the temperature rise is $\Delta t=40^{\circ}\text{C}$ ($T_a=20^{\circ}\text{C}$) .