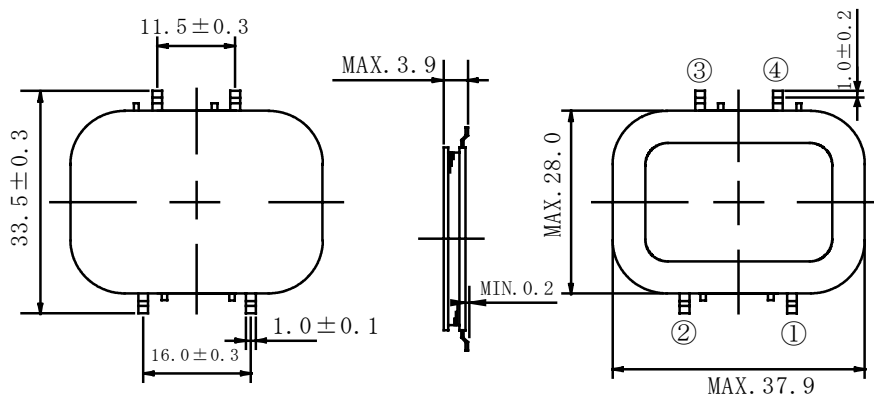
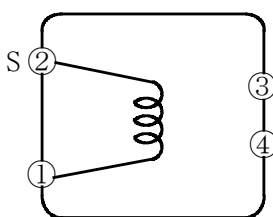


Type: CAA373
◆ Product Description

- 37.9×28.0mm Max.(Diameter),3.9mm Max. Height.
- Operating temperature: $-40^{\circ}\text{C} \sim +85^{\circ}\text{C}$.

◆ Feature

- LF transponder receiver antenna.
- Ideally used in keyless smart entry system.
- RoHS Compliance.

◆ Dimensions (mm)

◆ Schematics(Bottom)


"S" is winding start.

◆ Specification

	(2-1)	Measuring conditions
Inductance	$1.32\text{mH} \pm 3\%$ Within	125kHz,1V
Unloaded Q	$37 \pm 20\%$ Within	125kHz,1V
D.C.R.	$24 \Omega \pm 20\%$ Within	at 20°C
S.R.F	400kHz Min.	