



- 85-265VAC Universal Input
- 3.3 Through 48VDC Single Outputs
- 2 Prong Plug-In Mains Connector
- 3000V Isolation

2.55"W x 2.16"L x1.34"H



Model Number	Output Watts	Output Voltage	Output Amps
SPU12A-101	10	3.3V	3.03
SPU12A-102	10	5V	2.0A
SPU12A-103	10	6V	1.66A
SPU12A-104	12	9V	1.33A
SPU12A-105	15	12V	1.25A
SPU12A-106	15	15V	1.0A
SPU12A-107	15	18V	0.83A
SPU12A-108	15	24V	0.62A
SPU12A-109	15	30V	0.5A
SPU12A-110	15	36V	0.41A
SPU12A-111	15	48V	0.31A

INPUT SPECIFICATIONS

Input Voltage Range	85-265 VAC (Universal)	
Frequency Range	47-63 Hz	
Input Current	Low Line (115VAC)	0.4A
	High Line (230VAC)	0.3A
Inrush Current, typ (Cold Start)	Low Line (115VAC)	15A max.
	High Line (230VAC)	30A max.
Leakage Current	0.75mA MAX.	
	@ 240 VAC, FL	

OUTPUT SPECIFICATIONS

Voltage and Current	See Selection Charts	
Output Power Range	0 to FL Rating	
Load Regulation (FL, 230Vin)	+/- 7%, max.	
Line Regulation (FL)	+/- 1%, max.	
Transient Response	100Vin, FL to 1/2L	4mS
Temperature Coefficient	+/-0.04%/°C, typ	
Ripple/Noise	FL, 90Vin	1% Pk-Pk
Short Circuit Protection	Continuous, self-recovering *	
Start Up / Hold Up Time	100Vin, FL	2S max. / 5 mS min.

GENERAL SPECIFICATIONS

Input-Out Isolation	3000 VAC	
Isolation Resistance	50 Mohm min.	
Efficiency	(FL, 230Vin)	70%, typ
Safety	(c)UL60950	

PHYSICAL SPECIFICATIONS

Size	2.55" x 2.16" x 1.34"	
Construction	Wallmount Style	
Weight	4oz (115g)	

ENVIRONMENTAL SPECIFICATIONS

Oper. Temperature	0 to +40°C (FL) *	
	50% Load @ 70°C (See Derate Curve Next Page)	
Storage Temperature	-40 to +85°C *	
Relative Humidity	5% to 95%, non-cond *	
EMC	110Vin:	FCC Part 15 Class B
	220Vin:	CISPR-22 Class B
MTBF	100,000 Hrs	

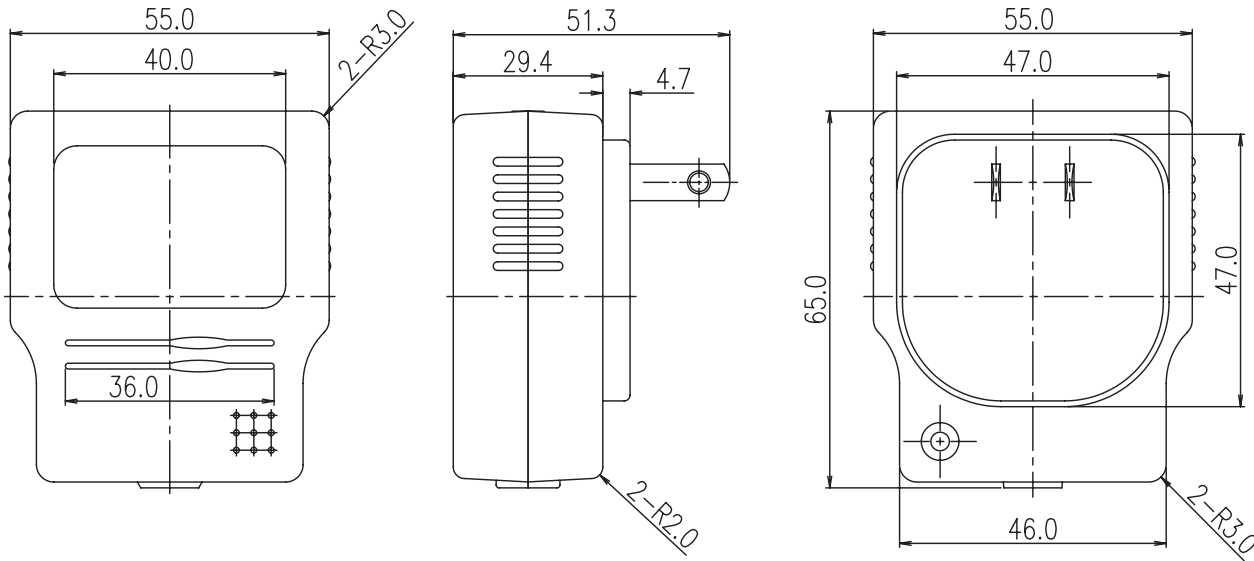
All specifications are typical at nominal input, full load, and 25°C unless otherwise noted

* These are stress ratings. Exposure of the devices to any of these conditions may adversely affect long term reliability. Proper operation under conditions other than the standard operating conditions is neither warranted nor implied.

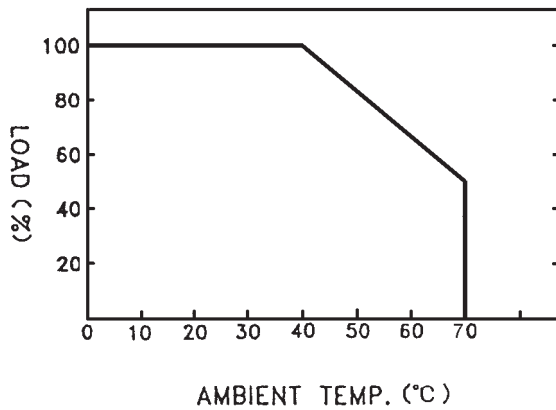
Astrodyne products are not authorized or warranted for use as critical components in life support systems, equipment used in hazardous environments, nuclear controls systems, or other mission-critical applications.

MECHANICAL DIMENSIONS

Dimensions Are In mm.



DERATE CURVE



DC OUTPUT CONNECTIONS

Coaxial Plug: -Vout  +Vout

5.5mm outer diameter
2.1mm inner diameter, female
11mm length, center "+"