

The SiI 1171 is the world's first single-link TMDS™ receiver to cross the 165 MHz speed barrier, leaping to 225 MHz. The SiI 1171 supports DVI bandwidths from 25 to 225 MHz for display resolutions that range from VGA to QXGA (2048 x 1536). Part of the acclaimed SiI 1000 series of receivers, the SiI 1171 is based on an innovative and new scalable PLL architecture that enables interoperability with a broader range of DVI transmitters. The SiI 1171 incorporates the most advanced PanelLink® technology to bring the highest performance DVI connection to any digital display. Three TMDS™ data channels for RGB receive data at up to 2.25 Gbps per channel. The SiI 1171 incorporates industry-standard 24-bit and 48-bit TTL outputs for true color (16.7 million) support. Built-in flexibility enables customers to use pins to configure settings or the I²C interface to program registers.

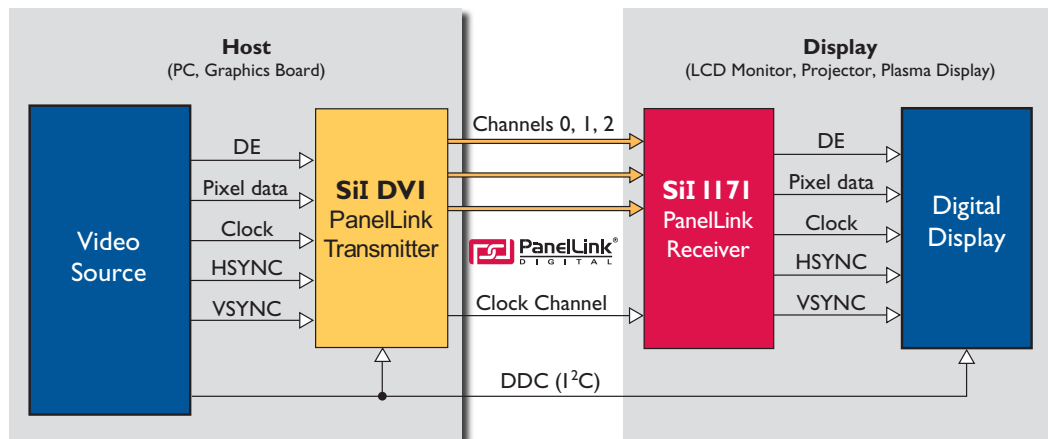
The SiI 1171 is available in a low-cost 100-pin TQFP package that is pin-compatible with previous generation PanelLink receivers such as the SiI 161B. By incorporating the most advanced PanelLink DVI technology available today, the SiI 1171 receiver brings the highest performance to your DVI applications.

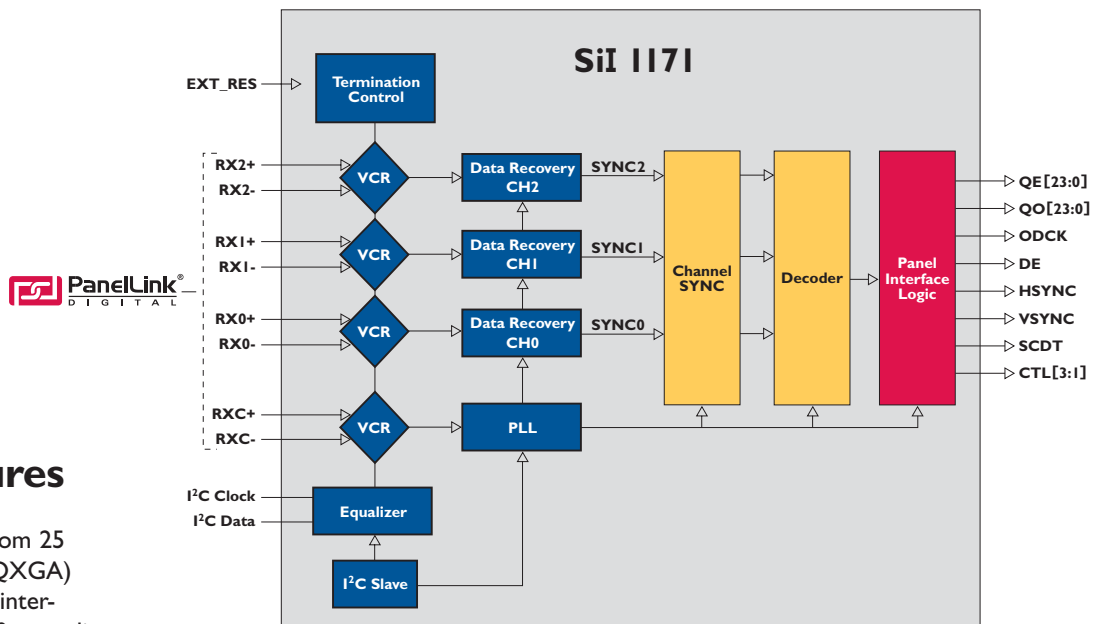
DVI-compliant Quality

The DVI 1.0 specification defines the precise system-level signaling at the output of a DVI transmitter system and at the input of a DVI receiver system. As a result, any DVI-compliant host will always interoperate with any DVI-compliant display. As defined by the DVI 1.0 specification and the DVI Test & Measurement Guide, all DVI receivers are required to implement a clocking & decoding architecture that will accurately recover a DVI-compliant signal that may include certain levels of system skew & jitter. Only DVI-compliant receivers, such as the SiI 1171, yield consistently robust receiver performance for guaranteed interoperability for the full DVI bandwidth of 25-165 MHz.

Applications

- LCD Flat Panel Monitors
- Data, Video & Multimedia Projectors
- Plasma Displays





SiI 1171 Features

PanelLink® Receiver

- Full range bandwidth from 25 to 225 MHz (VGA to QXGA)
- Fully DVI-compliant to inter-operate with all DVI 1.0-compliant transmitters
- Three TMDS™ data channels capable of transferring up to 2.25 Gbps per channel
- Time staggered data output for reduced ground bounce and lower EMI
- Sync Detect feature for Plug & Display
- Programmable equalizer and PLL to enable longer cable support and greatly improved interoperability
- HSYNC de-jitter circuitry enables stable operation with high jitter HSYNC signal

Power Management

- Automatic entry into standby mode with clock detect circuitry
- Low-power standby mode

Silicon Image's SiI 1171 Starter Kits

SiI 1171 starter kits are available for evaluation from Silicon Image. For details, please see Starter Kits/ Reference Designs on the Silicon Image website at: www.siliconimage.com

Part Number - SiI1171CT100