



# Four-Channel, Standard-Definition Video Filter

MAX11504/MAX11505

## General Description

The MAX11504/MAX11505 integrated filters offer four channels of 5<sup>th</sup> order filters for standard-definition video and include +6dB output buffers on each channel. These video filters are ideal for anti-aliasing and DAC smoothing in applications such as set-top boxes, security systems, digital video recorders (DVRs), DVD players, and personal video recorders.

The MAX11504/MAX11505 video inputs feature a transparent clamp compatible with AC- and DC-coupled input signals and allow DAC outputs to be directly coupled. The 5<sup>th</sup> order filters provide a bandwidth of 8.6MHz (typical). The MAX11504 offers a flat passband response on all channels. The MAX11505 offers a 0.8dB peaking passband response on Channel 1, resulting in a bandwidth of 8.9MHz (typical) and a flat passband response on all other channels.

Each channel includes an output buffer with a gain of +6dB capable of driving a full 2V<sub>P-P</sub> video signal into two standard 150Ω (75Ω back terminated) video loads. The buffers drive either AC- or DC-coupled loads and assure a blanking level below 1V after the back-match resistor.

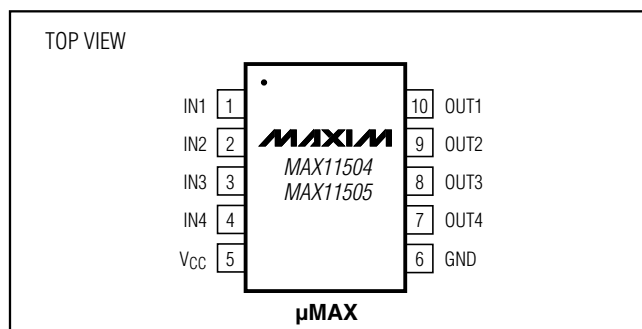
The MAX11504/MAX11505 operate from a single +5V supply and are available in the 0°C to +70°C commercial temperature range. These devices are available in small 10-pin μMAX<sup>®</sup> packages.

## Applications

- Set-Top Box Receivers
- Digital Video Recorders (DVRs)
- Security Video Systems
- SDTV
- DVD Players
- Personal Video Recorders
- Video On-Demand

μMAX is a registered trademark of Maxim Integrated Products, Inc.

## Pin Configuration



## Features

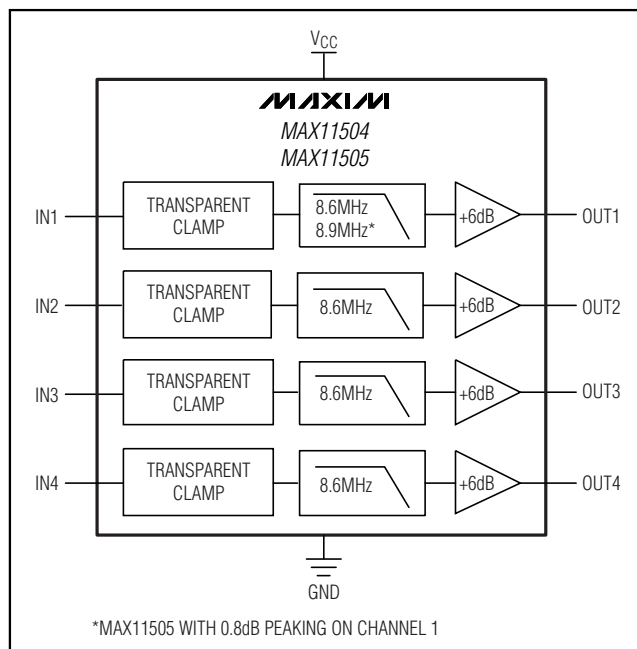
- ◆ Four-Channel 5<sup>th</sup> Order Filter for Standard-Definition Video
- ◆ +6dB Output Buffers
- ◆ Transparent Input Clamp
- ◆ AC- or DC-Coupled Inputs
- ◆ AC- or DC-Coupled Outputs
- ◆ Output Buffers Can Drive Two Standard 150Ω Video Loads
- ◆ 12kV HBM ESD Protection on Outputs
- ◆ Flat Passband Response (MAX11504)
- ◆ 0.8dB Peaking Passband Response on Channel 1 (MAX11505)
- ◆ Single +5V Power Supply
- ◆ Small 10-Pin μMAX Package

## Ordering Information

PART	PIN-PACKAGE	PACKAGE CODE	FREQUENCY RESPONSE
MAX11504CUB+	10 μMAX	U10+2	Flat
MAX11505CUB+	10 μMAX	U10+2	HF Boost On Channel 1

Note: All devices are specified over the 0°C to +70°C commercial temperature range.

## Simplified Block Diagram



\*MAX11505 WITH 0.8dB PEAKING ON CHANNEL 1



# Four-Channel, Standard-Definition Video Filter

## ABSOLUTE MAXIMUM RATINGS

$V_{CC}$  to GND.....-0.3V to +6V  
 All other pins to GND ..-0.3V to the lower of ( $V_{CC} + 0.3V$ ) and +6V  
 Continuous Power Dissipation ( $T_A = +70^\circ C$ )  
 10-Pin  $\mu$ MAX (derate 8.8mW/ $^\circ C$  above +70 $^\circ C$ ) .....707.3mW  
 Maximum Current into Any Pin except  $V_{CC}$  and GND..... $\pm 50mA$

Operating Temperature Range  
 MAX1150\_CUB .....0 $^\circ C$  to +70 $^\circ C$   
 Storage Temperature Range .....-65 $^\circ C$  to +150 $^\circ C$   
 Junction Temperature .....+150 $^\circ C$   
 Lead temperature (soldering, 10s) .....+300 $^\circ C$

*Stresses beyond those listed under "Absolute Maximum Ratings" may cause permanent damage to the device. These are stress ratings only, and functional operation of the device at these or any other conditions beyond those indicated in the operational sections of the specifications is not implied. Exposure to absolute maximum rating conditions for extended periods may affect device reliability.*

## ELECTRICAL CHARACTERISTICS

( $V_{CC} = +5V$ ,  $R_{LOAD} = 150\Omega$  to GND,  $C_{IN} = 0.1\mu F$ ,  $T_A = 0^\circ C$  to +70 $^\circ C$ . All frequency response is relative to 100kHz.)

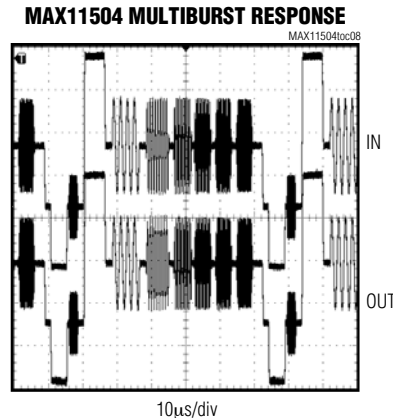
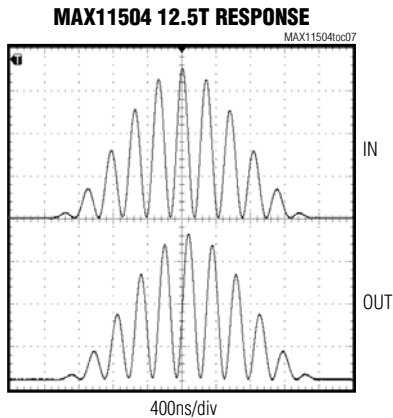
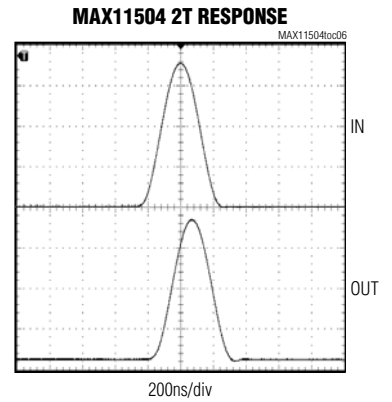
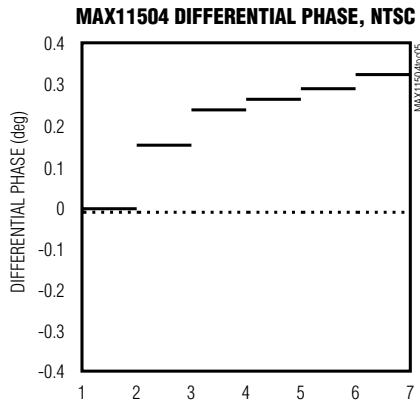
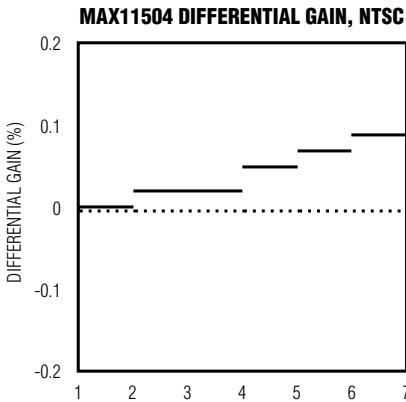
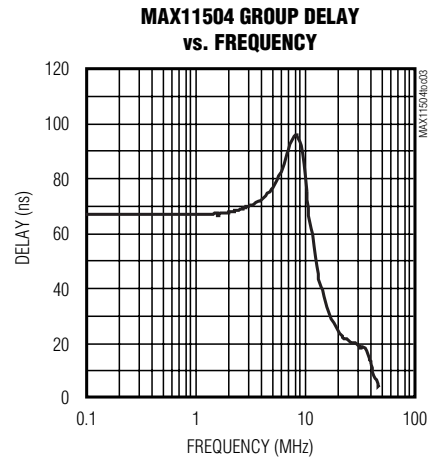
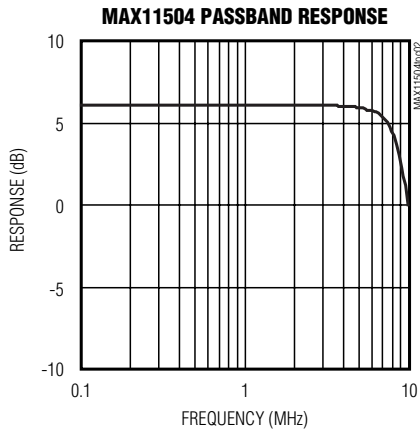
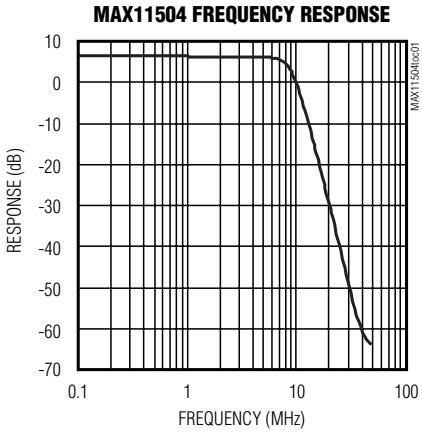
PARAMETER	SYMBOL	CONDITIONS	MIN	TYP	MAX	UNIT
-1dB Bandwidth	$f_{1dB}$	MAX11504	4.5	7.2		MHz
		MAX11505, Channel 1	5.0	7.8		
-3dB Bandwidth	$f_{3dB}$	MAX11504		8.6		MHz
		MAX11505, Channel 1		8.9		
Stopband Attenuation	$A_{SB}$	$f = 27MHz$		50		dB
Low-Frequency Gain	$A_V$		5.5	6.0	6.5	dB
Low-Frequency Gain Matching	$A_V(MATCH)$			0.02		dB
Input Voltage Range	$V_{IN}$	Referenced to GND if DC-coupled		1.4		V
Differential Gain	dG	All channels		0.1		%
Differential Phase	$d\phi$	All channels		0.3		degrees
Total Harmonic Distortion	THD	$V_{OUT} = 1.8V_{P-P}$ , $f = 1MHz$ (All channels)		0.1		%
Channel-to-Channel Crosstalk	$X_{TALK}$	$f = 1MHz$		-70		dB
Signal-to-Noise Ratio	SNR	NTC-7 weighting, 100kHz, 4.2MHz		80		dB
Propagation Delay	$t_{pd}$	$f = 4.5MHz$		76		ns
Power-Supply Rejection Ratio	PSRR	DC (All channels)		70		dB
Supply-Voltage Range	$V_{CC}$		4.75	5	5.25	V
Supply Current	$I_{CC}$	No load		24	35	mA

# Four-Channel, Standard-Definition Video Filter

## Typical Operating Characteristics

( $V_{CC} = 5V$ ,  $R_L = 150\Omega$  to GND,  $T_A = +25^\circ C$ )

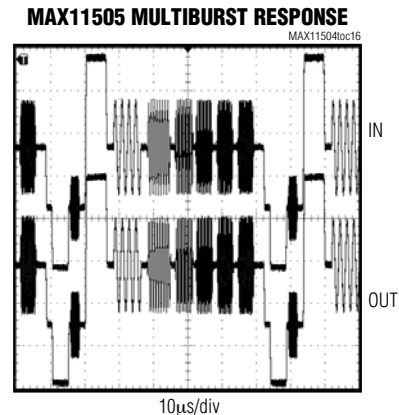
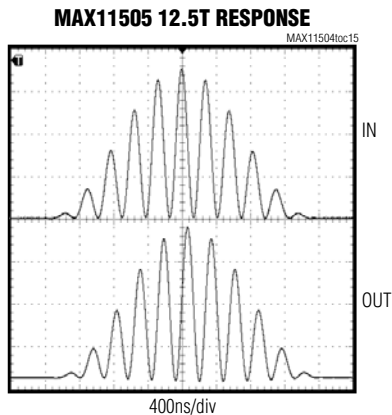
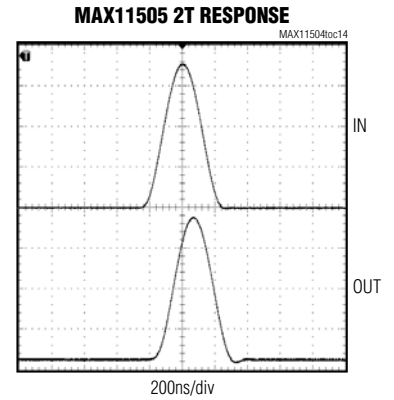
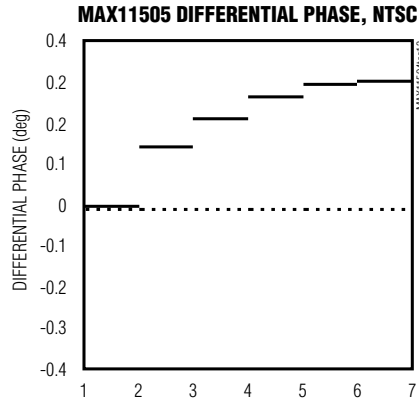
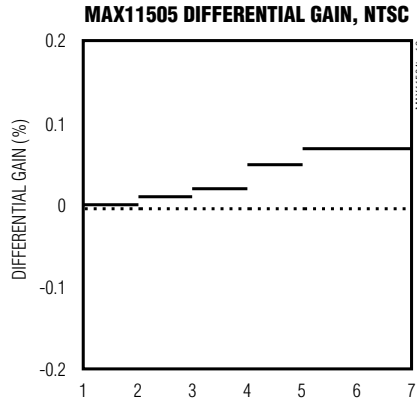
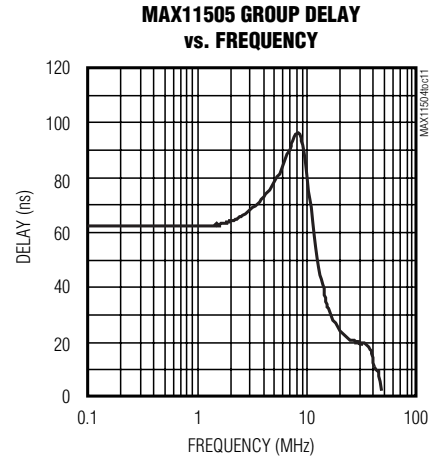
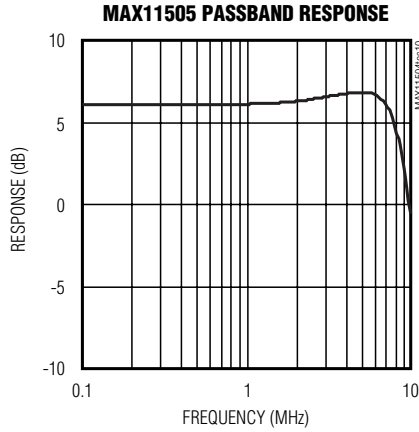
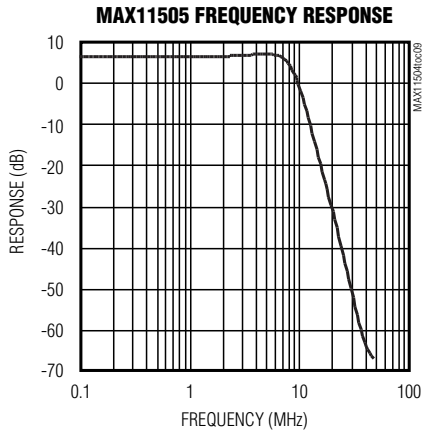
MAX11504/MAX11505



# Four-Channel, Standard-Definition Video Filter

## Typical Operating Characteristics (continued)

( $V_{CC} = 5V$ ,  $R_L = 150\Omega$  to GND,  $T_A = +25^\circ C$ )



# Four-Channel, Standard-Definition Video Filter

## Pin Description

PIN	NAME	FUNCTION
1	IN1	Video Input Channel 1. The MAX11505 provides 0.8dB passband boost at high frequency.
2	IN2	Video Input Channel 2
3	IN3	Video Input Channel 3
4	IN4	Video Input Channel 4
5	VCC	Power Supply. Bypass to ground with 0.1µF and 1µF capacitors.
6	GND	Ground
7	OUT4	Video Output Channel 4
8	OUT3	Video Output Channel 3
9	OUT2	Video Output Channel 2
10	OUT1	Video Output Channel 1. The MAX11505 provides 0.8dB passband boost at high frequency.

## Detailed Description

Each channel of the MAX11504/MAX11505 contains a transparent input clamp, a 5<sup>th</sup> order lowpass filter, and an output amplifier with +6dB gain (see the *Functional Diagrams and Typical Operating Circuits*). The 5<sup>th</sup> order lowpass filters provide a bandwidth of 8.6MHz (typical). The MAX11504 provides a flat passband response. The MAX11505 features a 0.8dB high-frequency boost on

Channel 1 to help with system rolloff (for CVBS signals) and a flat passband response on all other channels. Within the passband, each channel amplifies the signal by two and adds 280mV of offset.

$$V_{OUT} = (2 \times V_{IN}) + 0.28V$$

Typical voltage levels are shown in Figures 1 and 2.

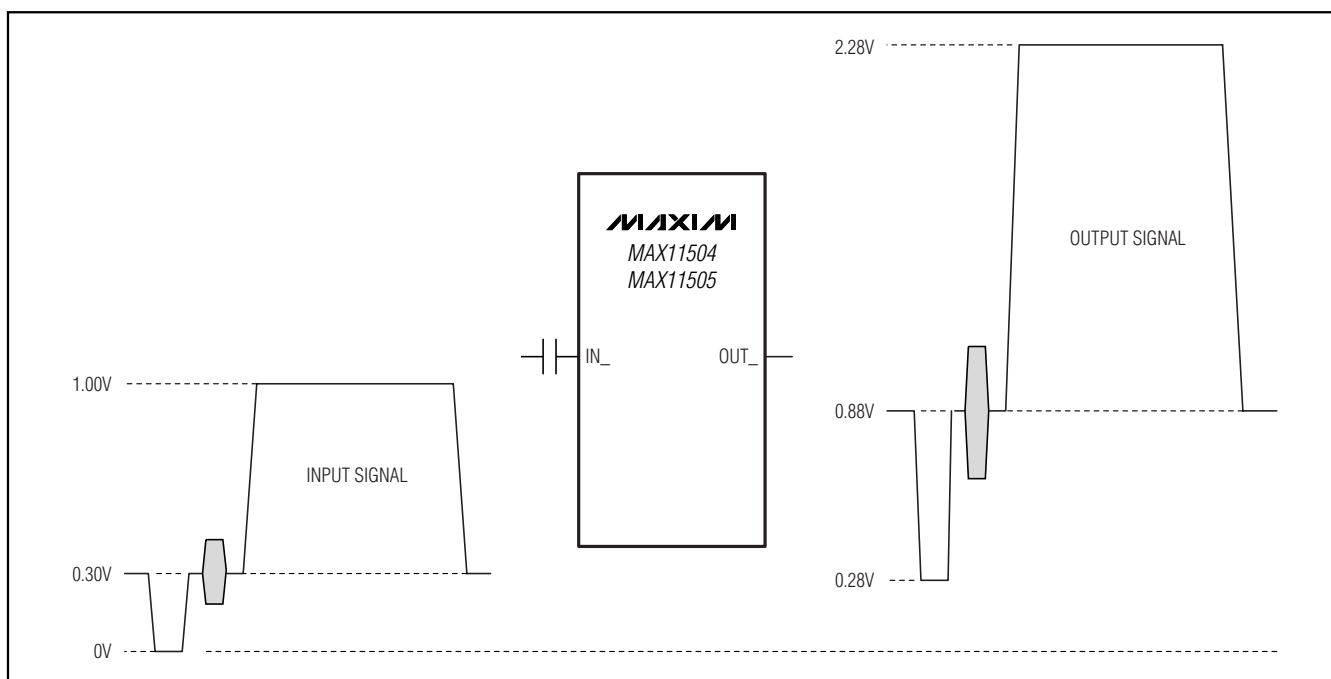


Figure 1. Typical AC-Coupled Signal

MAX11504/MAX11505

# Four-Channel, Standard-Definition Video Filter

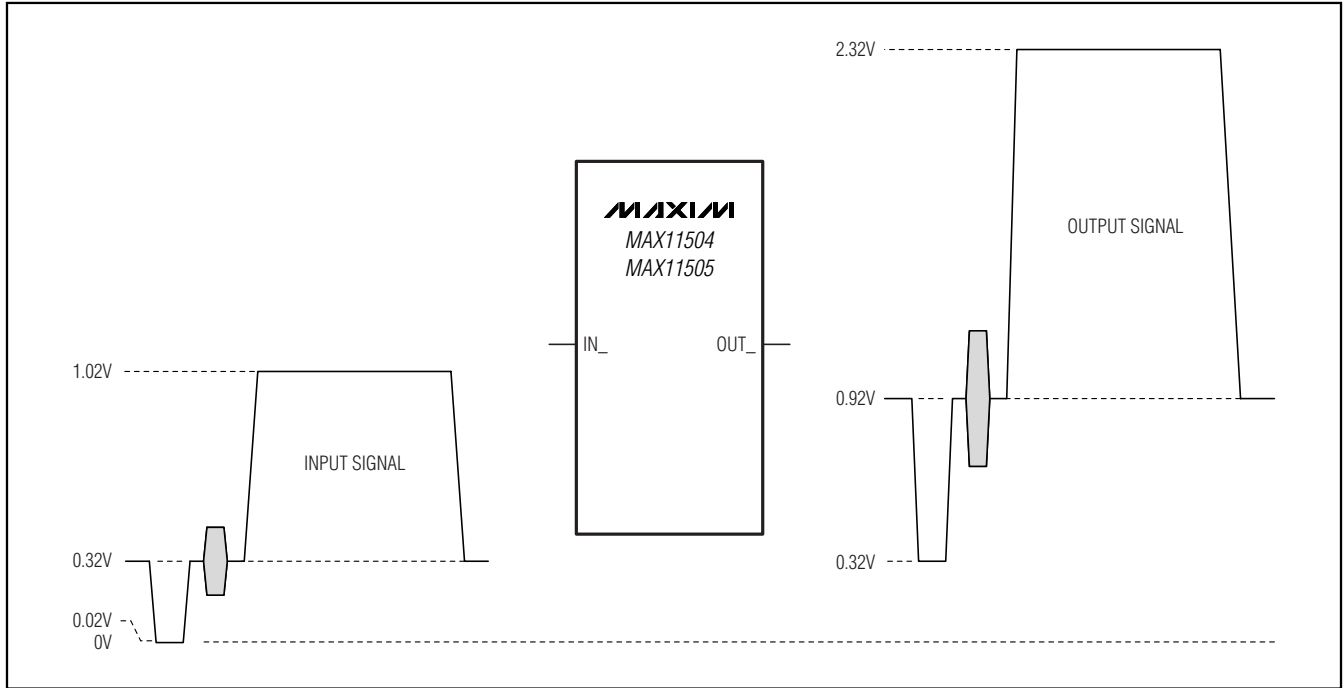


Figure 2. Typical DC-Coupled Signal

### Transparent Clamps

All inputs feature transparent clamps that allow either AC or DC input coupling. The clamp remains inactive while the input signal is above ground, offering true DC input coupling. If the signal goes below ground, as occurs when it is AC-coupled, the clamp sets the sync tip slightly below the ground level.

### Input Coupling

The choice of AC- or DC-coupling the input depends on the video source. Many DACs provide a current output and are terminated to ground with a resistor; such signals are conveniently DC-coupled. Use AC-coupling when the DC level of the video signal is unknown or outside the specified input range of the MAX11504/MAX11505, such as SCART or  $V_{CC}$ -terminated DAC outputs.

### DC-Coupled Inputs

If the input is DC-coupled, the input voltage must remain above zero but not exceed the maximum input voltage of 1.4V (typical).

### AC-Coupled Inputs

If the input is AC-coupled, the transparent clamps are active and set the lowest point of the signal at ground. This is appropriate for unipolar signals such as Y, R, G or B with or without sync pulse (Figure 3).

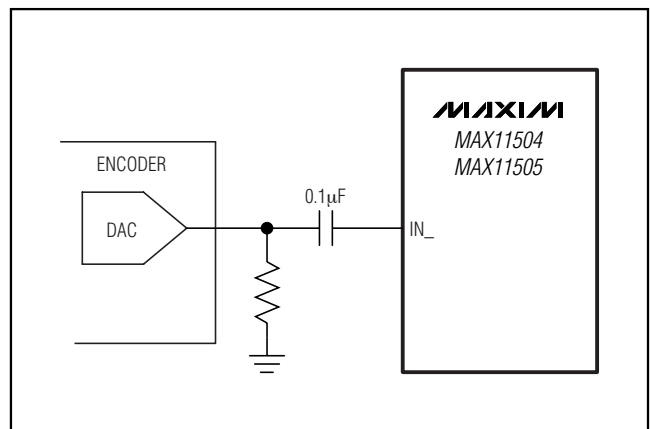


Figure 3. Simple AC-Coupling for Unipolar Signals (Y, R, G, B).

# Four-Channel, Standard-Definition Video Filter

For bipolar signals such as C, Pb, and Pr, bias the AC-coupled inputs to a fixed DC voltage, typically 0.59V, to ensure that the transparent clamp remains off. A suitable network is shown in Figure 4. Determine the bias voltage using:

$$V_B = \frac{R_2}{R_1 + R_2}(V_{CC} - I_L \times R_1)$$

where  $I_L$  = the input leakage current (typically 0.5μA).

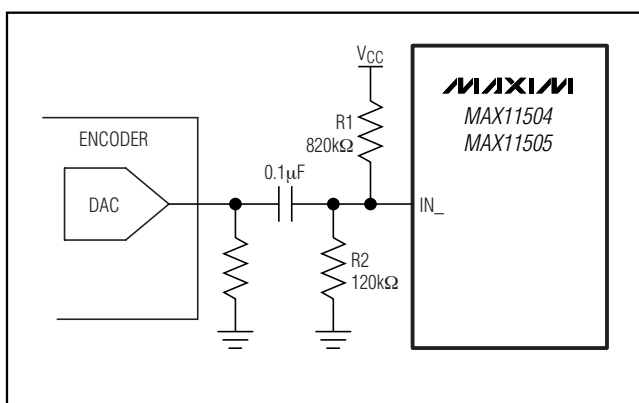


Figure 4. AC-Coupling for Bipolar Signals (C, Pb, Pr)

### Standard-Definition Filters

The MAX11504/MAX11505 filters are optimized to deliver a flat passband along with high stop-band attenuation. The filter characteristic has been chosen to provide an excellent time domain response with low overshoot. The typical -3dB frequency of 8.6MHz guarantees minimal attenuation in the passband while at the same time offering a 27MHz attenuation of typically -50dB. Channel 1 of the MAX11505 has 0.8dB of high-frequency boost and a -3dB frequency of 8.9MHz.

### Output Buffer

The MAX11504/MAX11505 feature output buffers with +6dB gain that drive two standard 150Ω video loads. A typical load (Figure 5a) is a 75Ω back-match

resistor, an optional 220μF or larger coupling capacitor, and a 75Ω termination resistor. The MAX11504/MAX11505 clamp the signal, forcing the blanking level to less than 1V at the termination resistor. This allows driving video loads to meet digital TV specifications without the need for costly AC-coupling capacitors. When driving two parallel loads per output (Figure 5b), thermal considerations must be taken into account, especially for DC-coupled outputs (see the *Junction Temperature Calculations* section.)

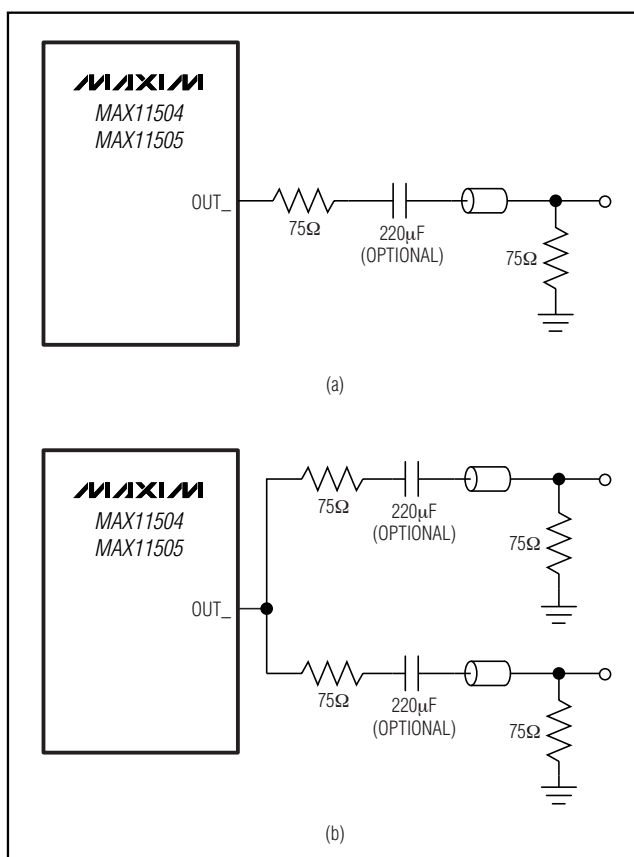


Figure 5. Typical Output Loads

# Four-Channel, Standard-Definition Video Filter

## Applications Information

### Output Configuration

The MAX11504/MAX11505 outputs may be either DC- or AC-coupled. If AC-coupled, choose a capacitor that passes the lowest frequency content of the video signal, and keep the line-time distortion within desired limits. The capacitor value is a function of the input leakage and impedance of the circuit being driven. Common industry practice is to use a 220 $\mu$ F or larger coupling capacitor. If any or all outputs are driving two parallel loads, refer to the junction temperature calculations.

The MAX11504/MAX11505 outputs are fully protected against short circuits either to the ground or the positive supply of the device. The short-circuit protection circuitry limits the output current to 80mA (typical) per output. Shorting more than one output simultaneously can exceed the maximum package power dissipation.

### Junction Temperature Calculations

Die temperature is a function of quiescent power dissipation and the power dissipation in the output drivers. Calculate the power dissipated  $P_D$  using:

$$P_D = P_{DS} + P_{DO1} + P_{DO2} + P_{DO3} + P_{DO4}$$

where  $P_{DS}$  is the quiescent power dissipated in the die, and given by:

$$P_{DS} = V_{CC} \times I_{CC}$$

and where  $P_{DO_n}$  is the power dissipated in the  $n^{\text{th}}$  driver stage and given by:

$$P_{DO_n} = \frac{(V_{CC} - V_{ORMSn}) \times V_{ORMSn}}{R_L}$$

where  $V_{ORMSn}$  is the RMS output voltage and  $R_L$  is the load resistance.

Example - Assuming these conditions:

1. Video standard = 525/60/2:1
2. Video format = RGB with syncs on all channels
3. Picture content = 100% white
4. The input signal is AC-coupled
5. The output signal is DC-coupled
6.  $V_{CC} = 5.0V$
7.  $I_{CC} = 24mA$

A sync tip exists at 280mV and peak white exists at 2.28V. The RMS voltage will be approximately 1.88V on each output (80% of the peak-peak voltage, plus the offset) giving:

$$P_{DS} = 5 \times 0.024 = 0.12W$$

$$P_{DO_n} = \frac{(5 - 1.88) \times 1.88}{75} = 0.078W$$

and

$$P_D = 0.12 + 0.078 + 0.078 + 0.078 + 0.078 = 0.432W$$

The junction temperature is given by:

$$T_J = T_A + (R_{\theta JA} \times P_D)$$

where  $T_J$  = junction temperature,  $T_A$  = ambient temperature (assume +70°C) and  $R_{\theta JA}$  = thermal resistance junction to ambient.

From the *Absolute Maximum Ratings* section of the data sheet, the derating factor is 8.8mW/°C above +70°C.  $R_{\theta JA} = 1/(\text{derating factor}) = 1/(8.8mW/°C) = 113°C/W$ .

Therefore:

$$T_J = 70 + 113 \times 0.432 = +119°C$$

If there is only one video load on each output, the junction temperature lowers to:

$$T_J = +101°C$$

The above calculations assume the use of a multilayered board with extensive ground planes for high thermal efficiency. Using such a board is especially important in applications where there are two video loads on each channel.



# **Four-Channel, Standard-Definition Video Filter**

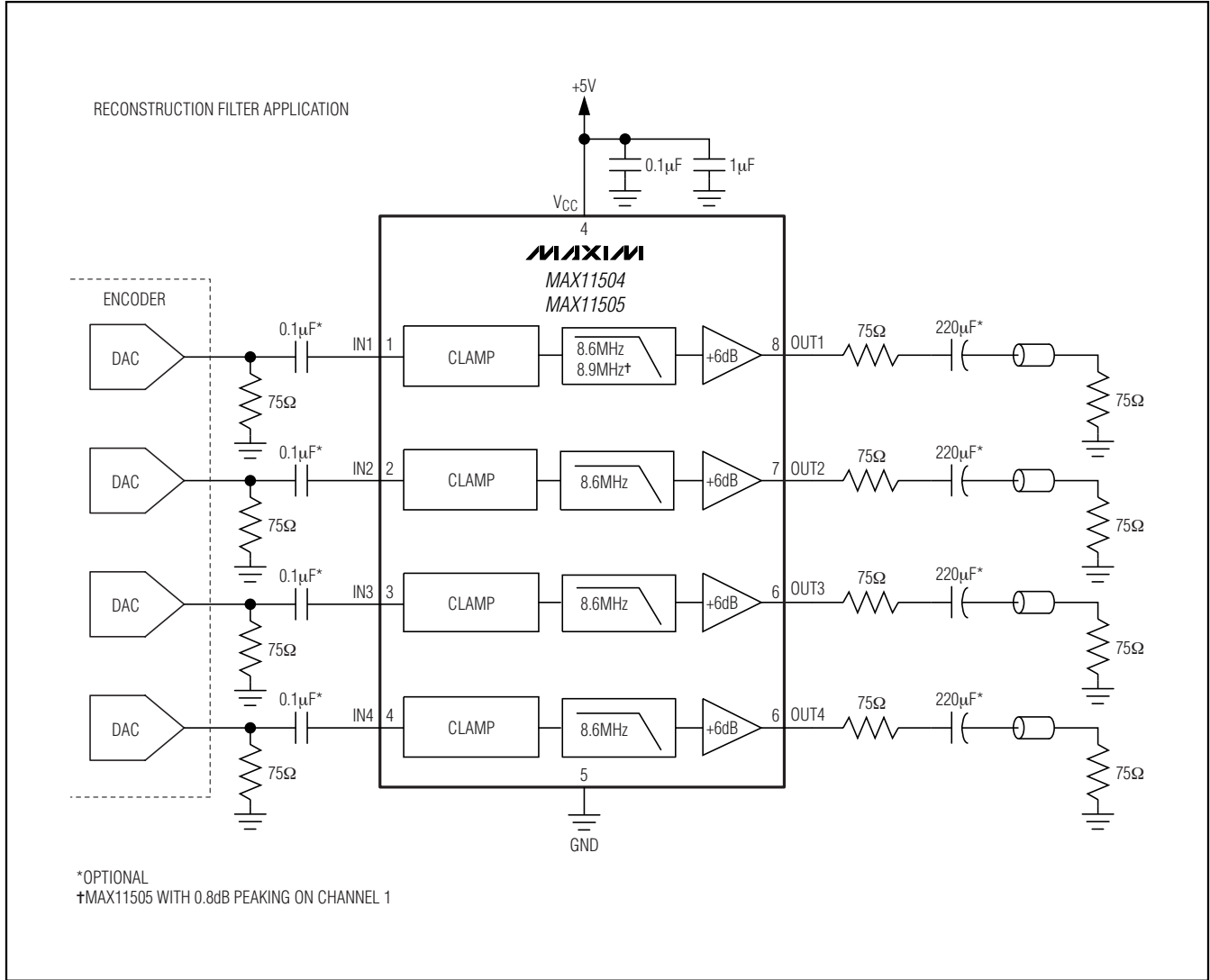
## **PCB Layout Recommendations**

To help with heat dissipation, connect the power and ground traces to large copper areas. Bypass V<sub>CC</sub> to GND with a 0.1 $\mu$ F capacitor and 1.0 $\mu$ F capacitors. Surface-mount capacitors are recommended for their low inductance. Place traces carrying video signals appropriately to avoid mutual coupling. If inputs are AC-coupled, place the capacitors as close as possible to the device and keep the traces short to minimize parasitic capacitance and inductance.

**MAX11504/MAX11505**

# Four-Channel, Standard-Definition Video Filter

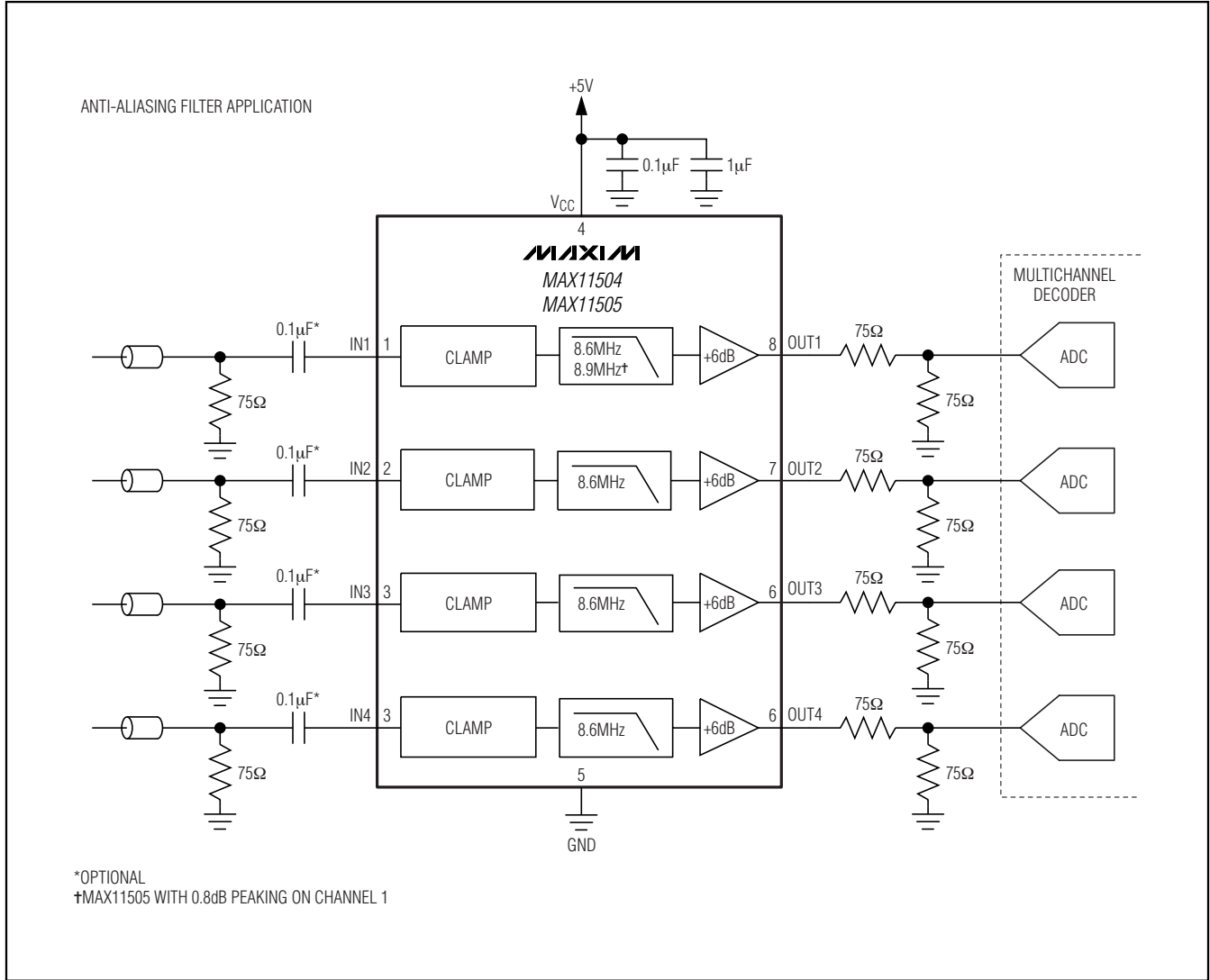
## Functional Diagrams and Typical Operating Circuits



# Four-Channel, Standard-Definition Video Filter

## Functional Diagrams and Typical Operating Circuits (continued)

**MAX11504/MAX11505**



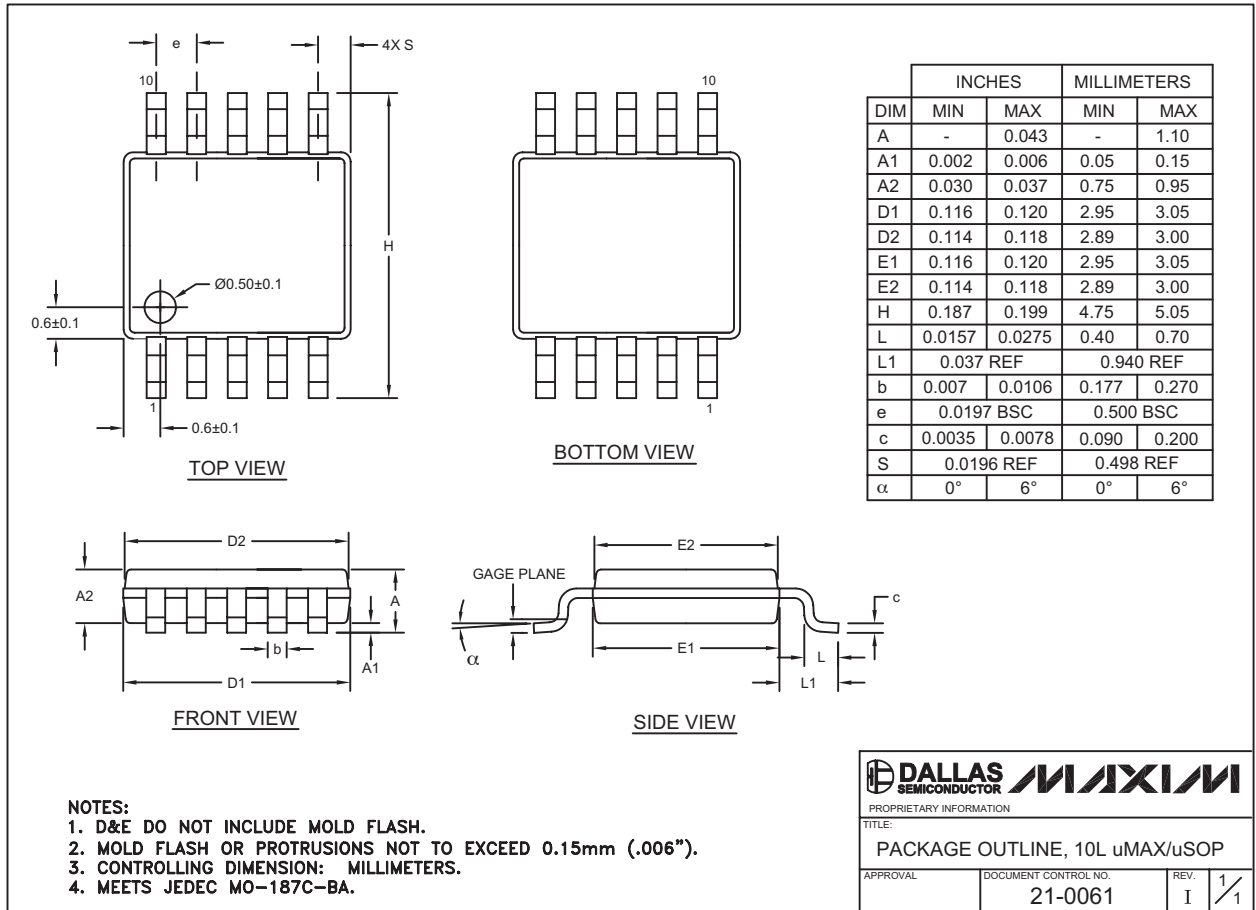
### Chip Information

PROCESS: BiCMOS

# Four-Channel, Standard-Definition Video Filter

## Package Information

(The package drawing(s) in this data sheet may not reflect the most current specifications. For the latest package outline information go to [www.maxim-ic.com/packages](http://www.maxim-ic.com/packages).)



10LUMAX.EPS

Maxim cannot assume responsibility for use of any circuitry other than circuitry entirely embodied in a Maxim product. No circuit patent licenses are implied. Maxim reserves the right to change the circuitry and specifications without notice at any time.

12 **Maxim Integrated Products, 120 San Gabriel Drive, Sunnyvale, CA 94086 408-737-7600**