



DATA SHEET

PJDLC05

ULTRA LOW CAPACITANCE SINGLE TRANSIENT OVERVOLTAGE SUPPRESSOR FOR HIGH SPEED DATA LINES

VOLTAGE 5.0 Volts **POWER** 400 Watts

SOT-23 Unit: inch (mm)

FEATURES

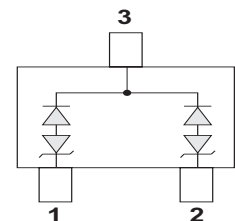
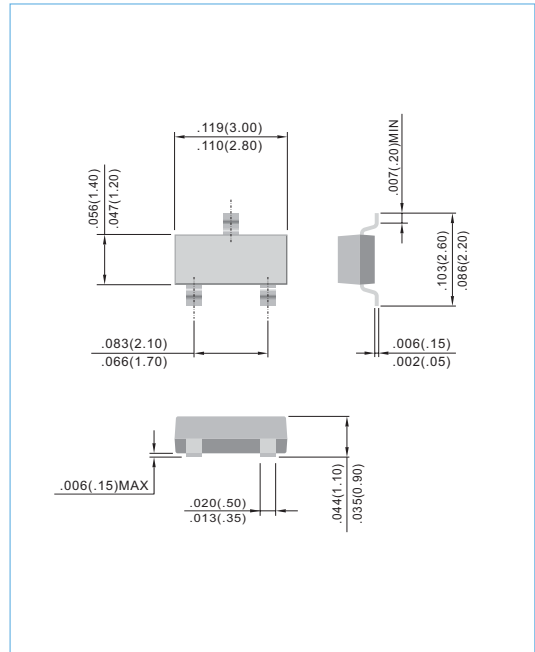
- Improved Leakage Current, Maximum of 5 uA @ 5Vdc
- Maximum Capacitance @ 0Vdc Bias of 1.2 pF between terminals 1-3 or terminals 2-3
- IEC61000-4-2 ESD 15kV Air, 8kV Contact Compliance
- IEC61000-4-5 Lightning 17Amps peak, 8x20µsec Waveform

APPLICATIONS

- Mobile Phones
- Universal Serial Bus (USB 1.1 and USB 2.0) Applications
- MP3 Players
- Digital Camcorders
- Digital Cameras
- Ethernet 10,100 and 1000 Base Port Protection

MECHANICAL DATA

- Case: Molded Plastic SOT-23
- Marking : T2S



MAXIMUM RATINGS

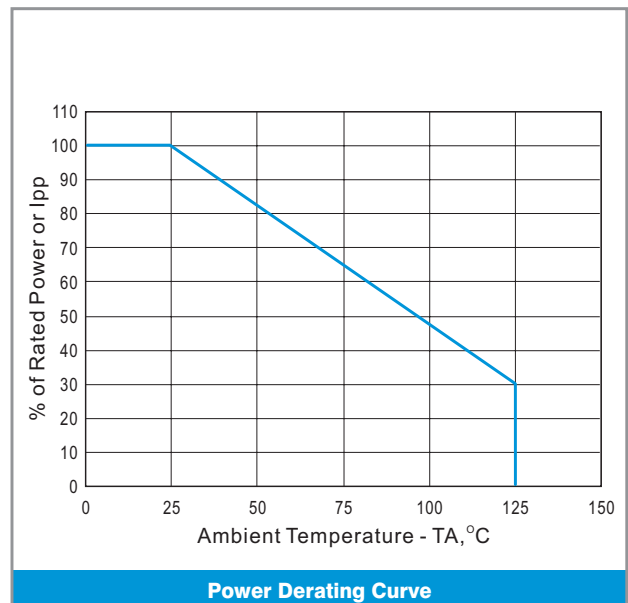
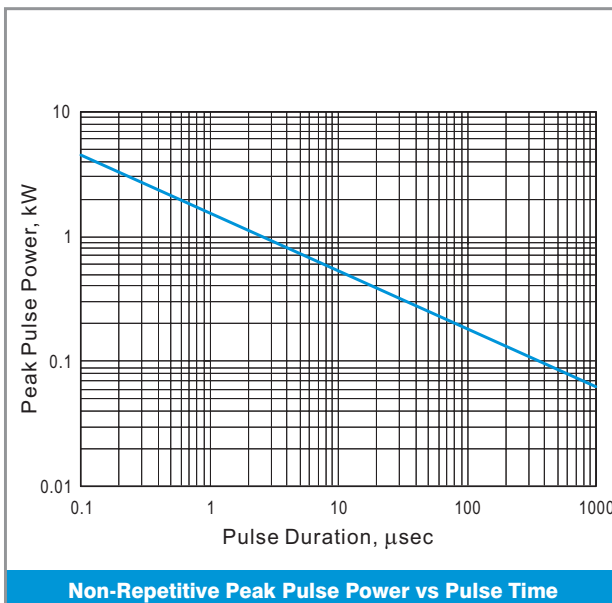
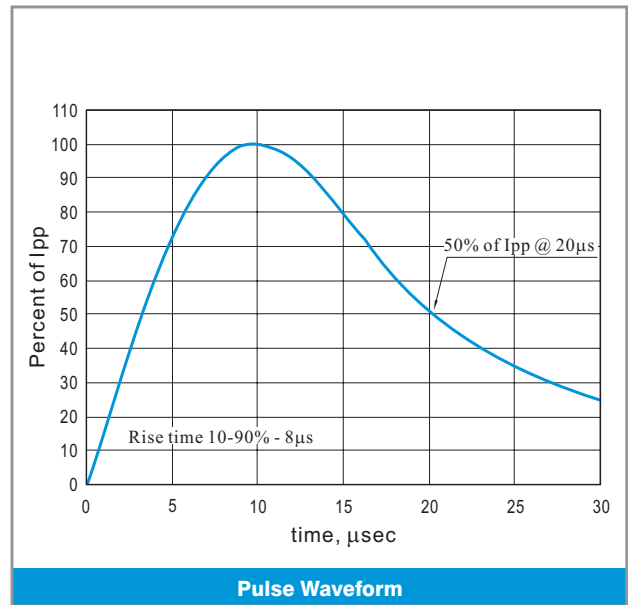
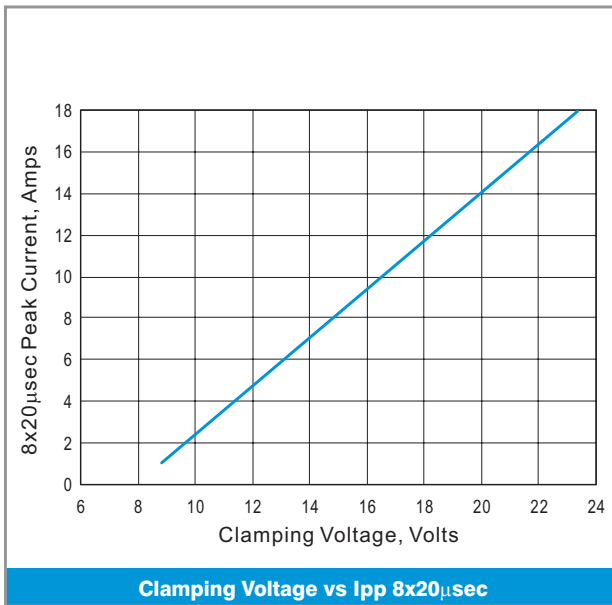
Rating	Symbol	Value	Units
Peak Pulse Power 8x20µsec Waveform	P_{PK}	400	W
Peak Pulse Current 8x20µsec Waveform	I_{PP}	17	A
ESD Voltage (HBM)	V_{ESD}	>25	kV
Operating Temperature	T_L	-50 to +125	°C
Storage Temperature	T_{stg}	-50 to +150	°C



ELECTRICAL CHARACTERISTICS

Parameter	Symbol	Conditions	Min.	Typical	Max.	Units
Reverse Stand-Off Voltage	V_{RWM}				5	V
Reverse Breakdown Voltage	V_{BR}	$I_{BR} = 1mA$	6			V
Reverse Leakage Current	I_R	$V_{RWM} = 5V$ $T_A = 25^\circ C$			5	μA
Clamping Voltage	V_C	$I_{PP} = 1A$ $8 \times 20 \mu sec$			9.5	V
Clamping Voltage	V_C	$I_{PP} = 5A$ $8 \times 20 \mu sec$			12	V
Maximum Peak Pulse Current	I_{PP}	$8 \times 20 \mu sec$ Waveform			17	A
Junction Capacitance (Per leg)	C_j	0Vdc, 1MHz Between 1-3 or 2-3		0.8	1.2	pF

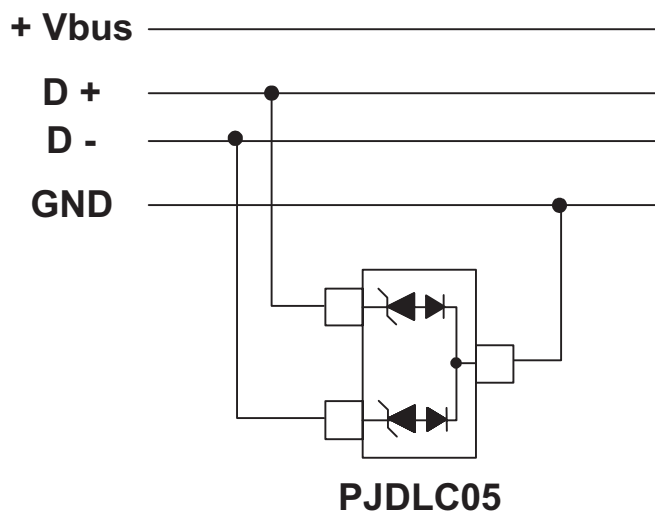
RATING AND CHARACTERISTICS CURVES



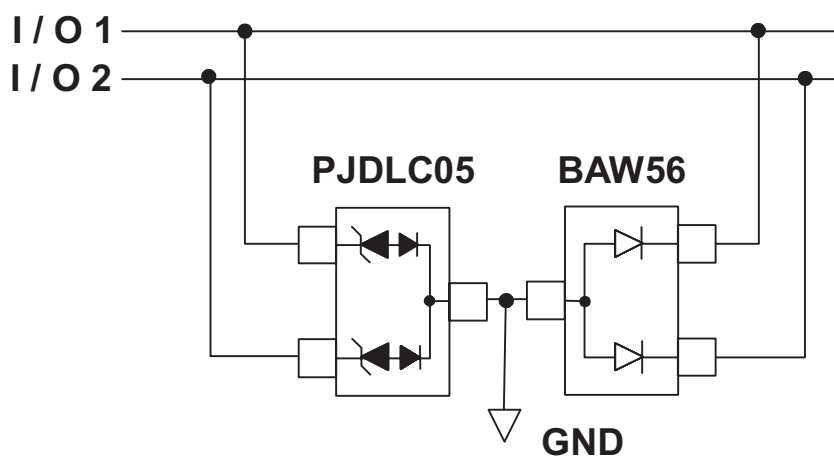


TYPICAL APPLICATIONS EXAMPLES

USB Port Protection



Two I/O Lines Bidirectional Protection

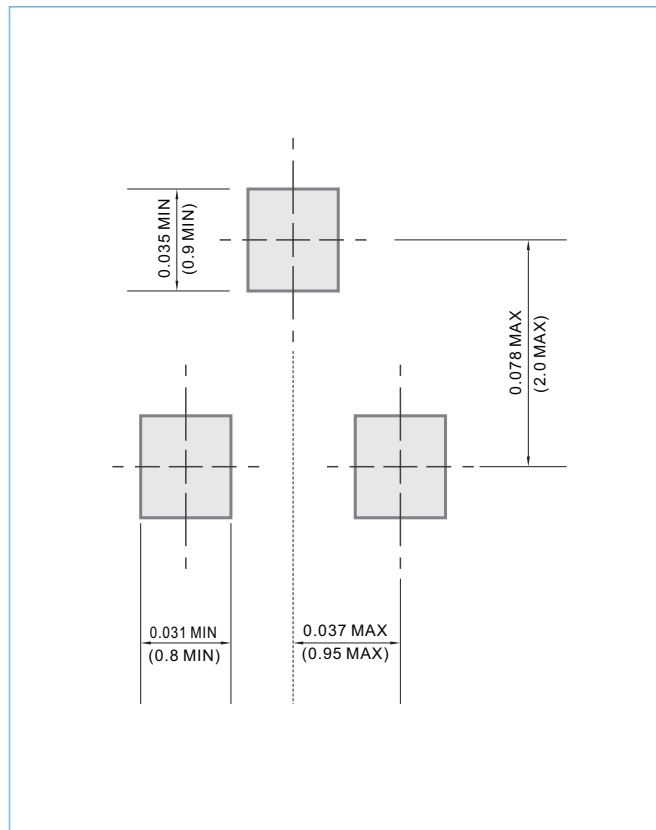




MOUNTING PAD LAYOUT

SOT-23

Unit: inch (mm)



ORDER INFORMATION

- Packing information
 - T/R - 12K per 13" plastic Reel
 - T/R - 3.0K per 7" plastic Reel

LEGAL STATEMENT

IMPORTANT NOTICE

This information is intended to unambiguously characterize the product in order to facilitate the customer's evaluation of the device in the application. The information will help the customer's technical experts determine that the device is compatible and interchangeable with similar devices made by other vendors. The information in this data sheet is believed to be reliable and accurate. The specifications and information herein are subject to change without notice. New products and improvements in products and product characterization are constantly in process. Therefore, the factory should be consulted for the most recent information and for any special characteristics not described or specified.

Copyright Pan Jit International Inc. 2003

All rights reserved. Reproduction in whole or in part is prohibited without the prior written consent of the copyright owner.

The information presented in this document does not form part of any quotation or contract. The information presented is believed to be accurate and reliable, and may change without notice in advance. No liability will be accepted by the publisher for any consequence of use. Publication thereof does not convey nor imply any license under patent or other industrial or intellectual property rights.