

BTR-5740G / BTR-5740-SPG

1550 nm TX / 1310 nm RX , 3.3V / 622 Mbps **RoHS Compliant** Single-Fiber Transceiver

FEATURES

- | Single Fiber Bi-Directional Transceiver
- | 1550 nm DFB LD Transmitter
- | 1310 nm Receiver
- | Distance up to 40 km
- | Industry Standard 1 x 9 Footprint
- | Single +3.3 V Power Supply
- | Speed up to 650 Mb/s
- | RoHS Compliant
- | PECL Differential Inputs and Outputs
- | 0 to 70°C Operating
- | Wave Solderable and Aqueous Washable
- | Class 1 Laser International Safety Standard IEC-60825 Compliant

DESCRIPTION

The BTR-5740G series is high performance module for single fiber communications by using 1550 nm DFB LD transmitter and 1310 nm receiver. The transmitter section uses a multiple quantum well laser and is a class 1 laser compliant according to International Safety Standard IEC-60825. The receiver section uses an integrated 1310 nm detector preamplifier (IDP) mounted in an optical header and a limiting post-amplifier IC. A PECL logic interface simplifies interface to external circuitry.

LASER SAFETY

This single mode transceiver is a Class 1 laser product. It complies with IEC-60825 and FDA 21 CFR 1040.10 and 1040.11. The transceiver must be operated within the specified temperature and voltage limits. The optical ports of the module shall be terminated with an optical connector or with a dust plug.

APPLICATIONS

- | WDM 622 Mb/s Links
- | SONET/SDH Equipment Interconnect

ORDER INFORMATION

| P/No. | Bit Rate (Mb/s) | Distance (km) | TX (nm) | RX (nm) | Voltage (V) | Package | Temp (°C) | TX Power (dBm) | RX Sens. (dBm) | RoHS Compliant |
|-----------|-----------------|---------------|----------|---------|-------------|---------|-----------|----------------|----------------|----------------|
| BTR-5740G | 622 | 40 | 1550 DFB | 1310 | 3.3 | 1X9 | 0 to 70 | 0 to -5 | -28 | Yes |

Note: 1. BTR-XXXXXXG is 1X9 SC receptacle type package.

2. BTR-XXXXXX-APBBBG is 1X9 pigtail type package with different connector, A=S is SC connector, A=F is FC connector, A=T is ST connector, A=L is LC connector, A=M is MU connector; BBB is the length of fiber in cm.

| Absolute Maximum Ratings | | | | | |
|--------------------------|--------|-----|-----|-------|--------------------------|
| Parameter | Symbol | Min | Max | Units | Notes |
| Storage Temperature | Tstg | -40 | 85 | °C | |
| Operating Temperature | Topr | 0 | 70 | °C | |
| Soldering Temperature | --- | | 260 | °C | 10 seconds on leads only |
| Power Supply Voltage | Vcc | 0 | 4.5 | V | |
| Input Voltage | --- | GND | Vcc | V | |
| Output Current | Iout | 0 | 30 | mA | |

| Recommended Operating Conditions | | | | | |
|----------------------------------|--------|------|-----|------|-------|
| Parameter | Symbol | Min | Typ | Max | Units |
| Power Supply Voltage | Vcc | 3.13 | 3.3 | 3.47 | V |
| Operating Temperature | Topr | 0 | | 70 | °C |
| Data Rate | | 50 | 622 | 650 | Mb/s |
| Power Supply Current | Icc | | | 260 | mA |

| Transmitter Specifications (0°C < Topr < 70°C, 3.13 V < Vcc < 3.47 V) | | | | | | |
|---|--|------|-----|-------|-------|-------------------|
| Parameter | Symbol | Min | Typ | Max | Units | Notes |
| Optical | | | | | | |
| Optical Transmit Power | Po | -5 | --- | 0 | dBm | 1 |
| Output Center Wavelength | λ | 1480 | | 1580 | nm | |
| Output Spectrum Width | $\Delta\lambda$ | --- | --- | 1 | nm | -20 dB Width |
| Extinction Ratio | ER | 10 | --- | --- | dB | |
| Output Eye | Compliant with Bellcore GR-253-CORE and ITU recommendation G.957 | | | | | |
| Optical Rise Time | t _r | | | 1.2 | ns | 10% to 90% Values |
| Optical Fall Time | t _f | | | 1.2 | ns | 10% to 90% Values |
| Relative Intensity Noise | RIN | | | -116 | dB/Hz | |
| Total Jitter | TJ | | | 0.55 | ns | 2 |
| Electrical | | | | | | |
| Data Input Current – Low | I _{IL} | -350 | | | μA | |
| Data Input Current – High | I _{IH} | | | 350 | μA | |
| Differential Input Voltage | V _{IH} - V _{IL} | 300 | | | mV | |
| Data Input Voltage – Low | V _{IL} - V _{CC} | -2.0 | | -1.58 | V | 3 |
| Data Input Voltage -- High | V _{IH} - V _{CC} | -1.1 | | -0.74 | V | 3 |

- Notes: 1. Output power is power coupled into a 9/125 μm single mode fiber.
 2. Measured with a 2²³-1 PRBS with 72 ones and 72 zeros.
 3. These inputs are compatible with 10K, 10KH and 100K ECL and PECL inputs.

| Receiver Specifications (0°C < Topr < 70°C, 3.135V < Vcc < 3.465V) | | | | | | |
|--|-----------------------------------|------|-----|-------|-------|-------------------------|
| Parameter | Symbol | Min | Typ | Max | Units | Notes |
| Optical | | | | | | |
| Sensitivity | --- | --- | --- | -28 | dBm | 1 |
| Maximum Input Power | Pin | -8 | --- | --- | dBm | |
| Signal Detect -- Asserted | Pa | --- | --- | -28 | dBm | Transition: low to high |
| Signal Detect -- Deasserted | Pd | -38 | --- | --- | dBm | Transition: high to low |
| Signal detect -- Hysteresis | | 1.0 | --- | | dB | |
| Wavelength of Operation | | 1260 | | 1360 | nm | 2 |
| Electrical | | | | | | |
| Data Output Voltage – Low | V _{OL} - V _{CC} | -2.0 | | -1.58 | V | 4 |
| Data Output Voltage – High | V _{OH} - V _{CC} | -1.1 | | -0.74 | V | 4 |
| SD Output Voltage -- Low | V _{OL} - V _{CC} | -2.0 | | -1.58 | V | 4 |
| SD Output Voltage -- High | V _{OH} - V _{CC} | -1.1 | | -0.74 | V | 4 |

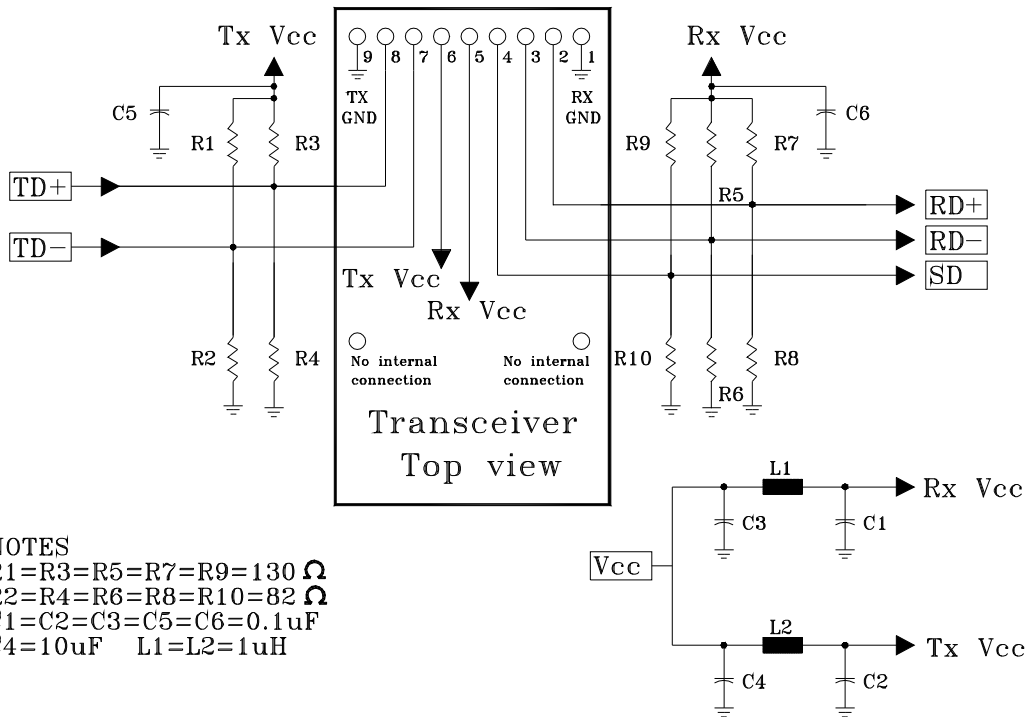
- Notes: 1. Minimum sensitivity and saturation levels at BER 1E=-10 for a 2²³-1 PRBS with 72 ones and 72 zeros.
 2. At least 30 dB optical isolation for the wavelength 1480 to 1580 nm.
 3. These outputs are compatible with 10K, 10KH and 100K ECL and PECL outputs.

CONNECTION DIAGRAM

| | | |
|---------------------------|------------|----------|
| Receiver Signal Ground | 1 (Rx GND) | ○ |
| Receiver Data Out | 2 (RD+) | N/C |
| Receiver Data Out Bar | 3 (RD-) | |
| Signal Detect | 4 (SD) | |
| Receiver Power Supply | 5 (Rx Vcc) | TOP VIEW |
| Transmitter Power Supply | 6 (Tx Vcc) | |
| Transmitter Data In Bar | 7 (TD-) | |
| Transmitter Data In | 8 (TD+) | N/C |
| Transmitter Signal Ground | 9 (Tx GND) | ○ |

| PIN | Symbol | Notes |
|-----|--------|--|
| 1 | Rx GND | Directly connect this pin to the receiver ground plane |
| 2 | RD+ | See recommended circuit schematic |
| 3 | RD- | See recommended circuit schematic |
| 4 | SD | Active high on this indicates a received optical signal |
| 5 | Rx Vcc | +3.3V dc power for the receiver section |
| 6 | Tx Vcc | +3.3V dc power for the transmitter section |
| 7 | TD- | See recommended circuit schematic |
| 8 | TD+ | See recommended circuit schematic |
| 9 | Tx GND | Directly connect this plan to the transmitter ground plane |

RECOMMENDED CIRCUIT SCHEMATIC

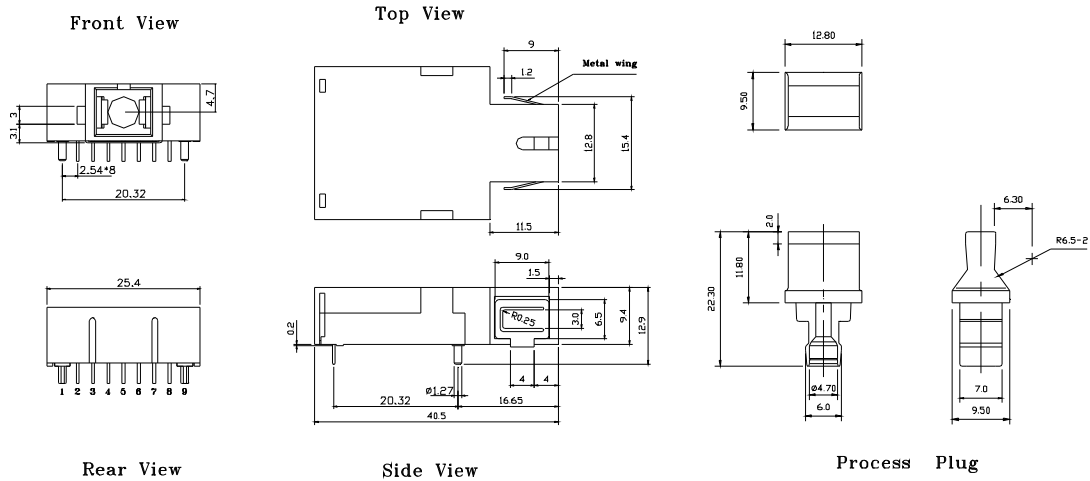


The split-load terminations for ECL signals need to be located at the input of devices receiving those ECL signals. The power supply filtering is required for good EMI performance. Use short tracks from the inductor L1/L2 to the module Rx Vcc and Tx Vcc. A GND plane under the module is required for good EMI and sensitivity performance.

PACKAGE DIAGRAM

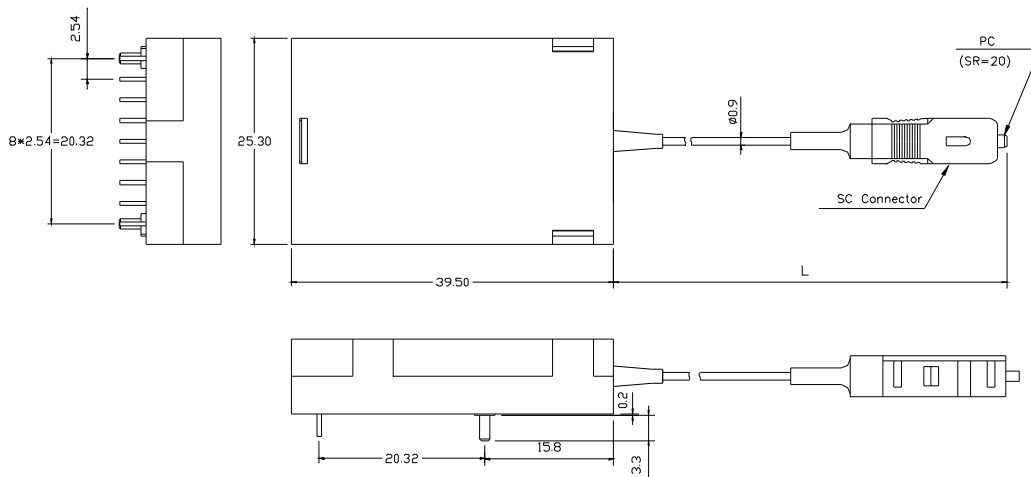
Units in mm

1) Receptacle Type



BTR-5740G

2) Pigtail Type



BTR-5740-SP50G

Note: Length L is 50± 3 cm. Other pigtail's length is available upon request.

Note: Specifications subject to change without notice.