

International  
**IR** Rectifier

# 30BQ015PbF

## SCHOTTKY RECTIFIER

## 3 Amp

$$I_{F(AV)} = 3.0\text{Amp}$$

$$V_R = 15\text{V}$$

### Major Ratings and Characteristics

Characteristics	Value	Units
$I_{F(AV)}$ Rectangular waveform	3.0	A
$V_{RRM}$	15	V
$I_{FSM}$ @ $t_p=5\mu\text{s}$ sine	650	A
$V_F$ @ $1.0\text{Apk}$ , $T_J=75^\circ\text{C}$	0.30	V
$T_J$ range	-55 to 125	$^\circ\text{C}$

### Description/ Features

The 30BQ015PbF surface mount Schottky rectifier has been designed for applications requiring low forward drop and very small foot prints on PC boards. The proprietary barrier technology allows for reliable operation up to  $125^\circ\text{C}$  junction temperature. Typical applications are in disk drives, switching power supplies, converters, free-wheeling diodes, battery charging, and reverse battery protection.

- $125^\circ\text{C}$   $T_J$  operation ( $V_R < 5\text{V}$ )
- Optimized for OR-ing applications
- Ultra low forward voltage drop
- High frequency operation
- Guard ring for enhanced ruggedness and long term reliability
- High purity, high temperature epoxy encapsulation for enhanced mechanical strength and moisture resistance
- Lead-Free ("PbF" suffix)

### Case Styles

30BQ015PbF



SMC



## Voltage Ratings

Part number	30BQ015PbF
$V_R$ Max. DC Reverse Voltage (V)	15
$V_{RWM}$ Max. Working Peak Reverse Voltage (V)	25

## Absolute Maximum Ratings

Parameters	30BQ	Units	Conditions
$I_{F(AV)}$ Max. Average Forward Current	3.0	A	50% duty cycle @ $T_L = 83^\circ\text{C}$ , rectangular wave form
	4.0		50% duty cycle @ $T_L = 78^\circ\text{C}$ , rectangular wave form
$I_{FSM}$ Max. Peak One Cycle Non-Repetitive Surge Current	650	A	5 $\mu\text{s}$ Sine or 3 $\mu\text{s}$ Rect. pulse
	75		10ms Sine or 6ms Rect. pulse
$E_{AS}$ Non Repetitive Avalanche Energy	1.5	mJ	$T_J = 25^\circ\text{C}$ , $I_{AS} = 0.5\text{A}$ , $L = 12\text{mH}$
$I_{AR}$ Repetitive Avalanche Current	0.5	A	Current decaying linearly to zero in 1 $\mu\text{sec}$ Frequency limited by $T_J$ max. $V_a = 1.5 \times V_r$ typical

## Electrical Specifications

Parameters	30BQ	Units	Conditions
$V_{FM}$ Max. Forward Voltage Drop (1)	0.35	V	@ 3A
	0.40	V	@ 6A
	0.30	V	@ 3A
	0.35	V	@ 6A
$I_{RM}$ Max. Reverse Leakage Current (1)	4	mA	$T_J = 25^\circ\text{C}$
	50	mA	$T_J = 100^\circ\text{C}$
$C_T$ Max. Junction Capacitance	1120	pF	$V_R = 5V_{DC}$ (test signal range 100KHz to 1Mhz) $25^\circ\text{C}$
$L_S$ Typical Series Inductance	3.0	nH	Measured lead to lead 5mm from package body
dv/dt Max. Voltage Rate of Change	10000	V/ $\mu\text{s}$	(Rated $V_R$ )

(1) Pulse Width < 300 $\mu\text{s}$ , Duty Cycle < 2%

## Thermal-Mechanical Specifications

Parameters	30BQ	Units	Conditions
$T_J$ Max. Junction Temperature Range (*)	-55 to 125	$^\circ\text{C}$	
$T_{stg}$ Max. Storage Temperature Range	-55 to 150	$^\circ\text{C}$	
$R_{thJL}$ Max. Thermal Resistance Junction to Lead (**)	12	$^\circ\text{C}/\text{W}$	DC operation
$R_{thJA}$ Max. Thermal Resistance Junction to Ambient	46	$^\circ\text{C}/\text{W}$	DC operation
wt Approximate Weight	0.24 (0.008)	g (oz.)	
Case Style	SMC		Similar to DO-214AB
Device Marking	IR3C		

(\*)  $\frac{dP_{tot}}{dT_J} < \frac{1}{R_{th(j-a)}}$  thermal runaway condition for a diode on its own heatsink

(\*\*) Mounted 1 inch square PCB

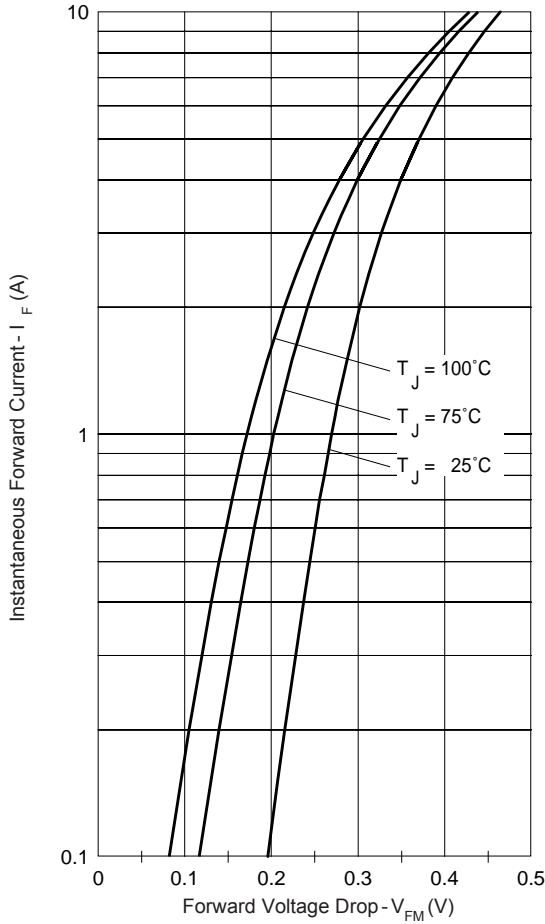


Fig. 1 - Max. Forward Voltage Drop Characteristics (Per Leg)

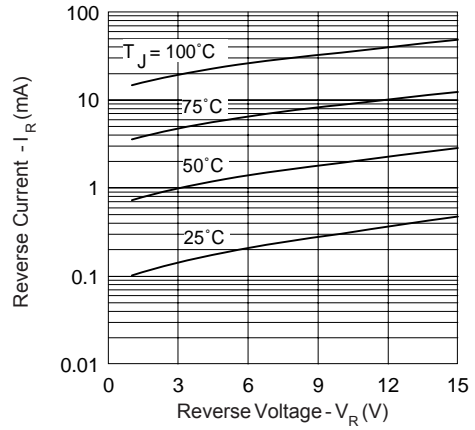


Fig. 2 - Typical Values Of Reverse Current Vs. Reverse Voltage (Per Leg)

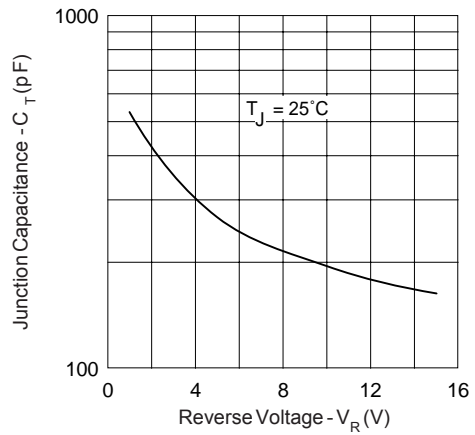


Fig. 3 - Typical Junction Capacitance Vs. Reverse Voltage (Per Leg)

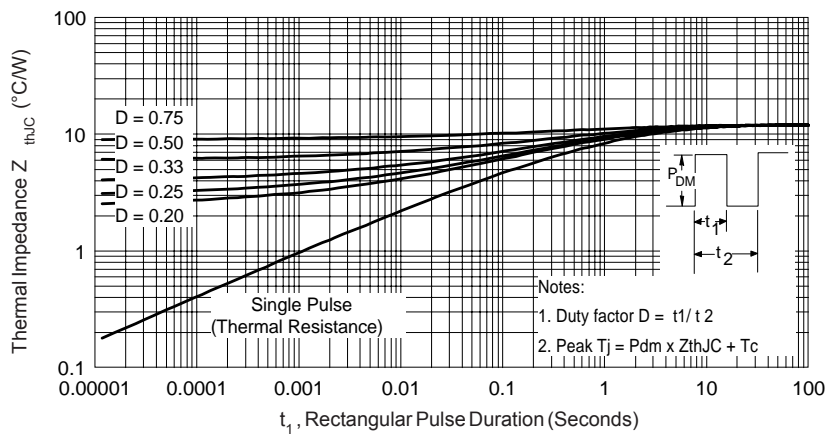


Fig. 4 - Max. Thermal Impedance  $Z_{thJC}$  Characteristics (Per Leg)

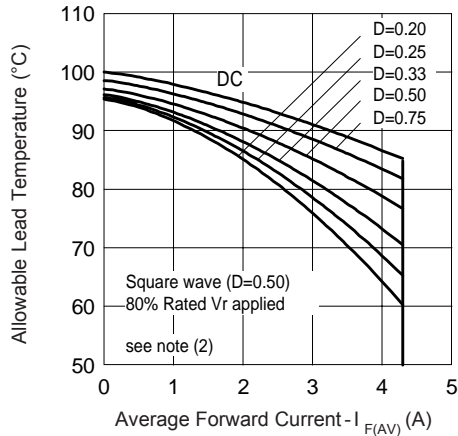


Fig. 4 - Maximum Average Forward Current Vs. Allowable Lead Temperature

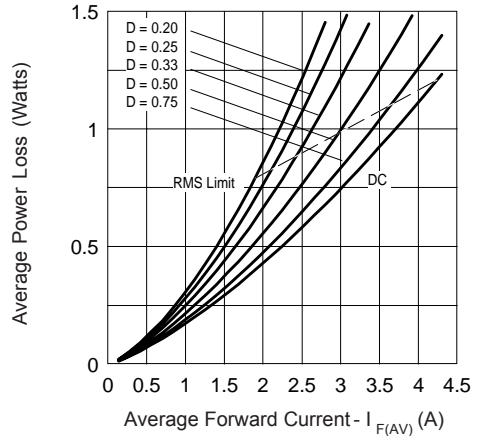


Fig. 5 - Maximum Average Forward Dissipation Vs. Average Forward Current

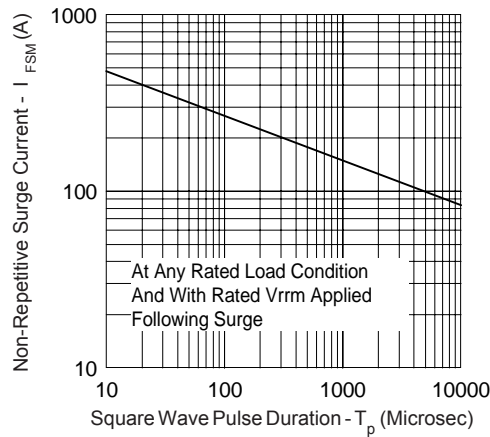
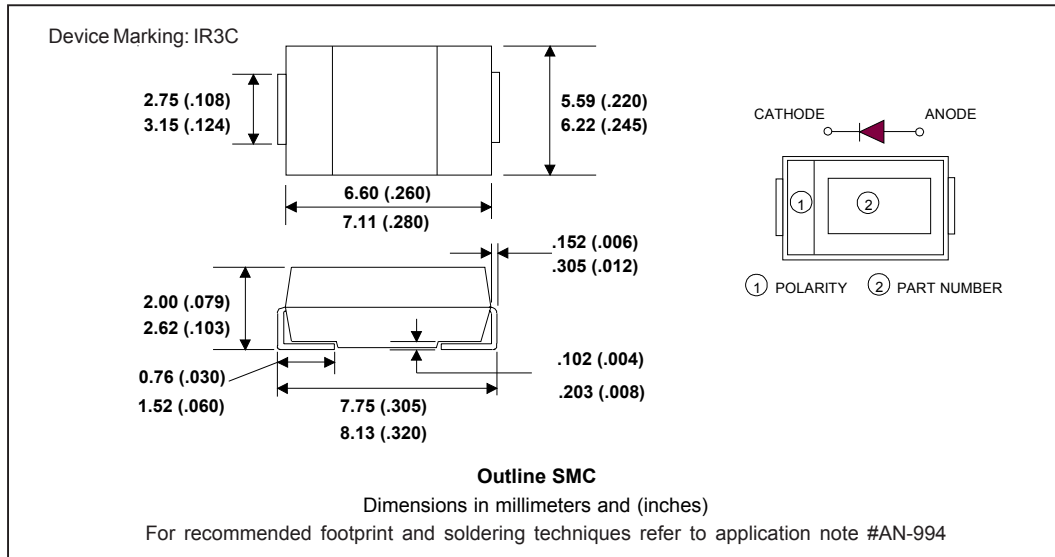


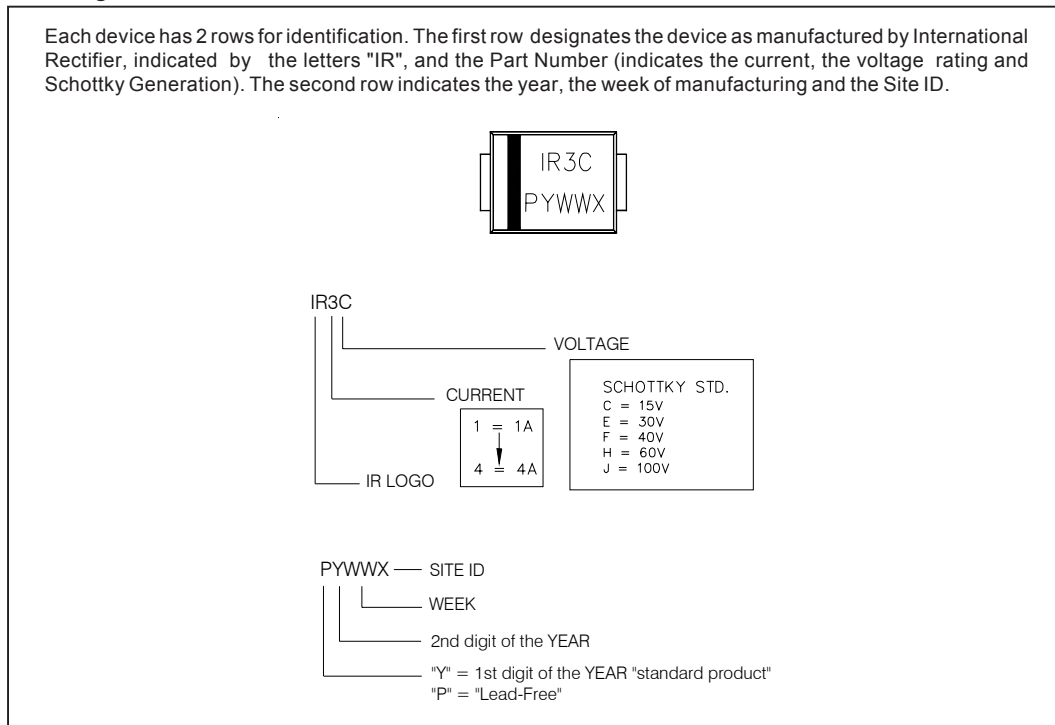
Fig. 6 - Maximum Peak Surge Forward Current Vs. Pulse Duration

- (2) Formula used:  $T_c = T_j - (Pd + Pd_{REV}) \times R_{thJC}$ ;  
 $Pd = \text{Forward Power Loss} = I_{F(AV)} \times V_{FM} @ (I_{F(AV)} / D)$  (see Fig. 6);  
 $Pd_{REV} = \text{Inverse Power Loss} = V_{R1} \times I_R (1 - D); I_R @ V_{R1} = 80\% \text{ rated } V_R$

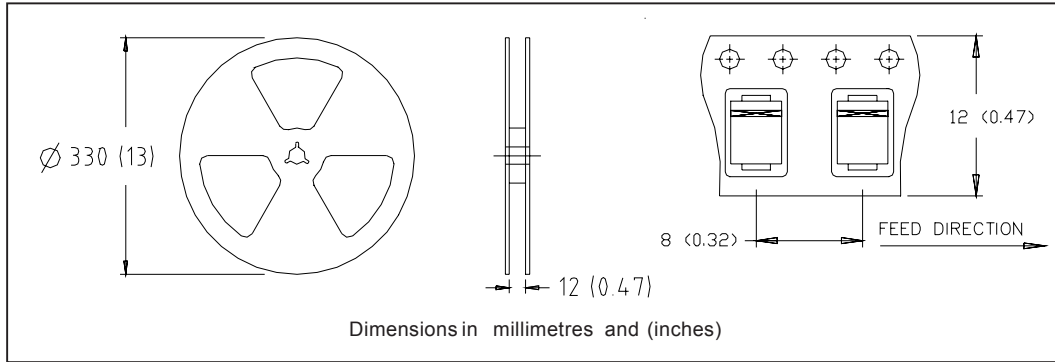
Outline Table



Marking & Identification



Tape & Reel Information



Ordering Information Table

Device Code					
<b>30</b>	<b>B</b>	<b>Q</b>	<b>015</b>	<b>TR</b>	<b>PbF</b>
①	②	③	④	⑤	⑥
<b>1</b>	- Current Rating				
<b>2</b>	- B = Single Lead Diode				
<b>3</b>	- Q = Schottky Q Series				
<b>4</b>	- Voltage Rating (015 = 15V)				
<b>5</b>	- • none = Box (1000 pieces) • TR = Tape & Reel (3000 pieces)				
<b>6</b>	- • none = Standard Production • PbF = Lead-Free				

Data and specifications subject to change without notice.  
This product has been designed and qualified for Industrial Level and Lead-Free.  
Qualification Standards can be found on IR's Web site.