



TMX W350

SAW Bandpass Filter – K-PCS Tx - RF
Specification (Rev 1)

- ▣ Features..... P01
- ▣ Package Drawing & Pin out..... P01
- ▣ Technical Characteristics P02
- ▣ Matching Network P02
- ▣ Nominal Response..... P03
- ▣ Maximum Ratings..... P04
- ▣ Marking & Packaging P04

TMX W350

SAW Bandpass Filter – K-PCS Tx - RF

Specification (Rev. 1)- RF

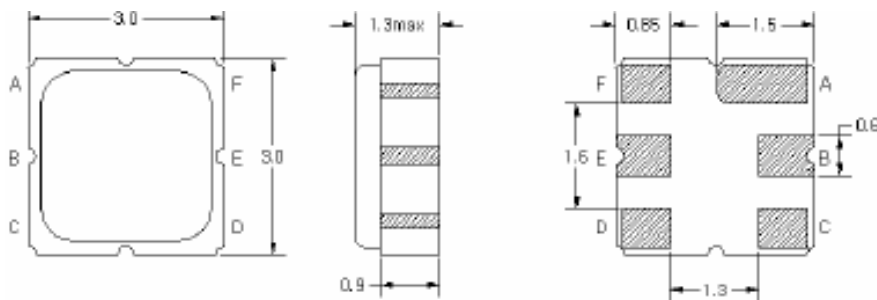
September 25th, 2005

Features

- ❑ Tx SAW Filter for K-PCS
- ❑ 1765 MHz Center Frequency
- ❑ 30 MHz useable Passband
- ❑ 50 Ohms Single Configuration
- ❑ Ceramic package for Surface Mounted Technology

Package Drawing & Pin out

The product is in conformance with the European RoHs Regulation 2002/95.



Pin Configuration	
Input	B
Output	E
Case ground	A, C, D, F

TMX W350

SAW Bandpass Filter – K-PCS Tx - RF

Specification (Rev.1)- RF

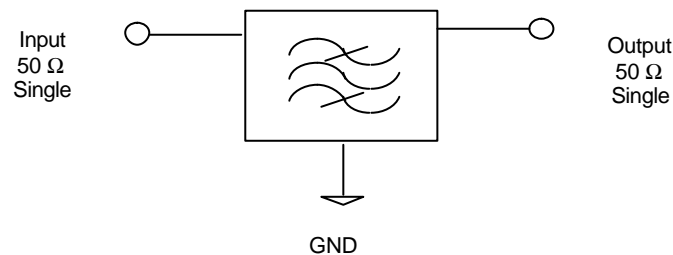
September 25th, 2005

Technical Characteristics

Reference Temperature : +25°C

Electrical Parameters	Unit	Minimum	Typical ⁽¹⁾	Maximum
Source Impedance (single)	Ohms	-	50	-
Load Impedance (single)	Ohms	-	50	-
Center Frequency f_c	MHz	-	1765	-
Bandwidth at -3dB	MHz	30	-	-
Absolute Attenuation				
1350 MHz to 1380 MHz	dB	35	40	-
1660 MHz to 1690 MHz	dB	35	40	-
1840 MHz to 1870 MHz	dB	40	45	-
2150 MHz to 2180 MHz	dB	40	50	-
Insertion Loss within 1750 MHz – 1780 MHz	dB	-	2.4	3.2
Amplitude ripple within 1750 MHz – 1780 MHz	dB	-	1.0	1.5
Input/Output VSWR within 1750 MHz – 1780 MHz		-	1.6	2.0

Matching Network



TMX W350

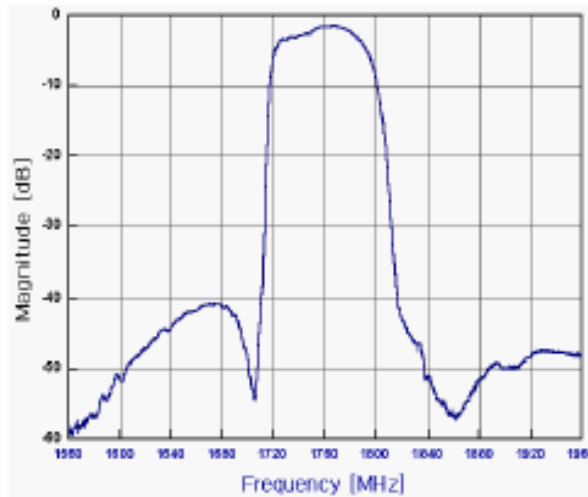
SAW Bandpass Filter – K-PCS Tx - RF

Specification (Rev.1)- RF

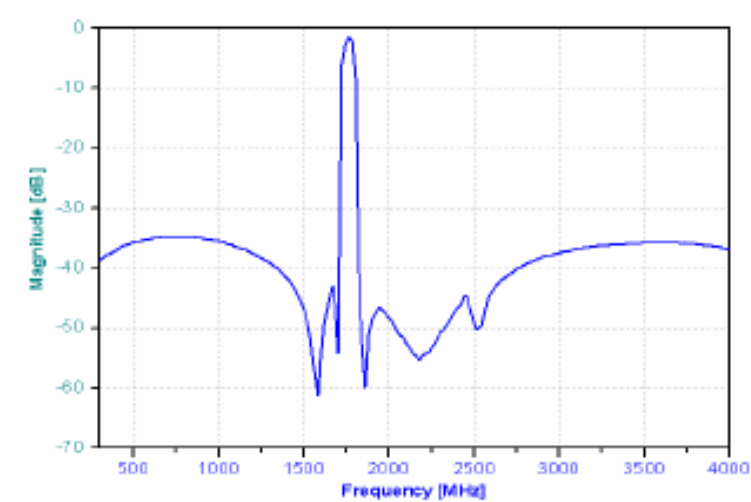
September 25th, 2005

Nominal Frequency Response (Measurements)

Frequency Response



Frequency Response



TMX W350

SAW Bandpass Filter – K-PCS Tx - RF

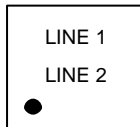
Specification (Rev.1)- RF

September 25th, 2005

Maximum Ratings

Storage Temperature Range	°C	[-30°C ; +85°C]
Operating temperature	°C	[-40°C ; +85°C]
DC voltage	V	7
Input Power	dBm	15

Marking



Line 1: "NNNN" is the reference to Temex Part number with only the last 4 digits

Line 2: RYWWZZ is the date code as:

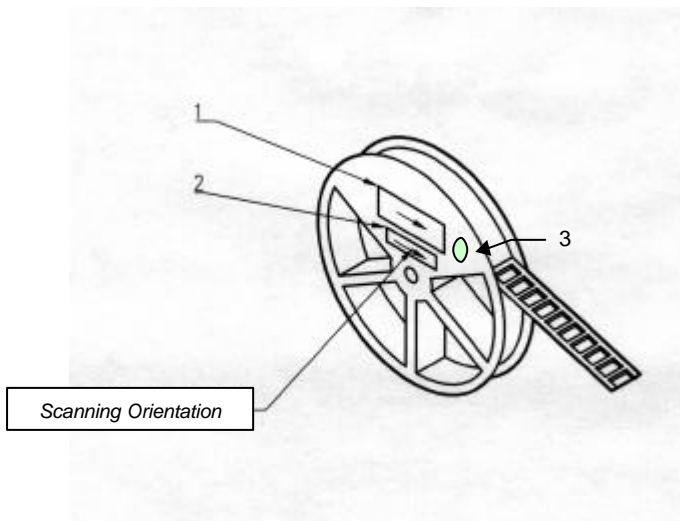
R: Partner identifier.

Y: last digit of the year.

WW: number of week in the year

ZZ: Lot number in the week (from AA to ZZ).

Packaging



- 1 – Temex Label
- 2 – ESD Prevention Label
- 3 – Pb Free Label