

TMX AT14

SAW Bandpass Filter – Remote Control - RF
Preliminary Specification (Rev 1)

▣ Features.....	P01
▣ Package Drawing & Pin out.....	P01
▣ Technical Characteristics	P02
▣ Matching Network	P02
▣ Nominal Response	P03
▣ Maximum Ratings	P04
▣ Marking & Packaging.....	P04

TMX AT14

SAW Bandpass Filter – Remote Control - RF

Preliminary Specification (Rev.1)- RF

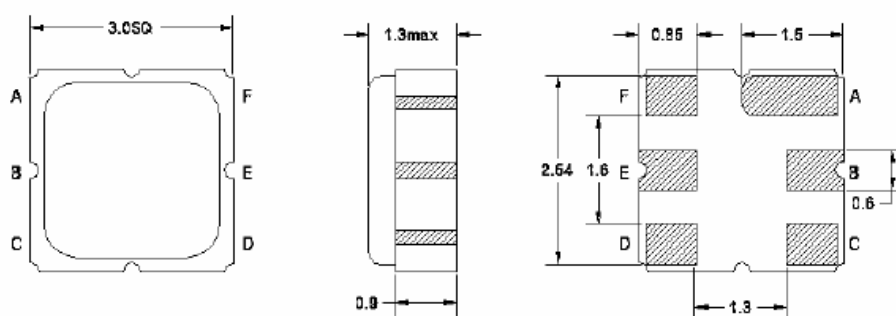
February 09th, 2006

Features

- ❑ RF SAW Filter for Home appliance
- ❑ 915 MHz Center Frequency
- ❑ 26 MHz useable Passband
- ❑ 50 Ohms Single Configuration
- ❑ Ceramic package for Surface Mounted Technology

Package Drawing & Pin out

The product is in conformance with the European RoHS Regulation 2002/95.



Pin Configuration

Input	B
Output	E
Ground	A, C, D, F

TMX AT14

SAW Bandpass Filter – Remote Control - RF

Preliminary Specification (Rev.1)- RF

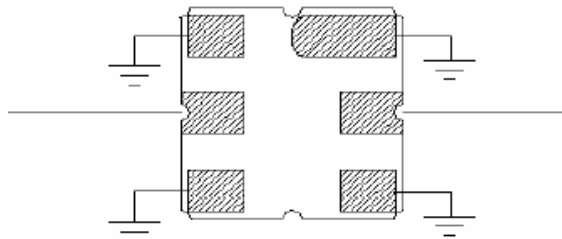
February 09th, 2006

Technical Characteristics

Reference Temperature : +25°C

Electrical Parameters	Unit	Minimum	Typical ⁽¹⁾	Maximum
Source Impedance (single)	Ohms	-	50	-
Load Impedance (single)	Ohms	-	50	-
Center Frequency f_c	MHz	-	915	-
Bandwidth	MHz	26	-	-
Absolute Attenuation				
DC to 800 MHz	dB	50	60	-
800 MHz to 845 MHz	dB	50	55	-
845 MHz to 879 MHz	dB	45	50	-
950 MHz to 990 MHz	dB	25	30	-
990 MHz to 1200 MHz	dB	50	60	-
1200 MHz to 2000 MHz	dB	30	38	-
Insertion Loss within 902 MHz ~ 928 MHz	dB	-	2.5	3.2
Ripple within 902 MHz ~ 928 MHz	dB	-	0.7	1.6
VSWR within 902 MHz ~ 928 MHz	-	-	1.45	2.0

Matching Network



TMX AT14

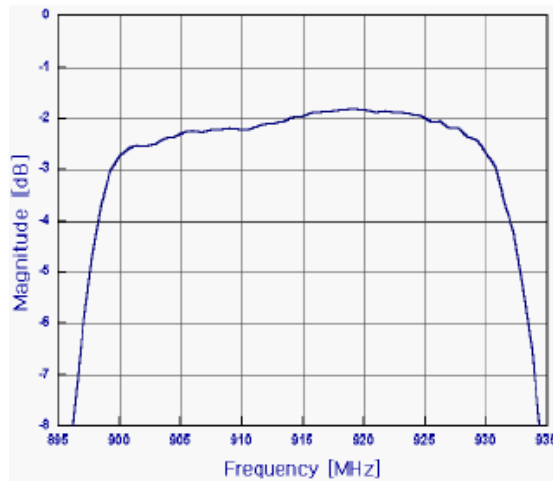
SAW Bandpass Filter – Remote Control - RF

Preliminary Specification (Rev.1)- RF

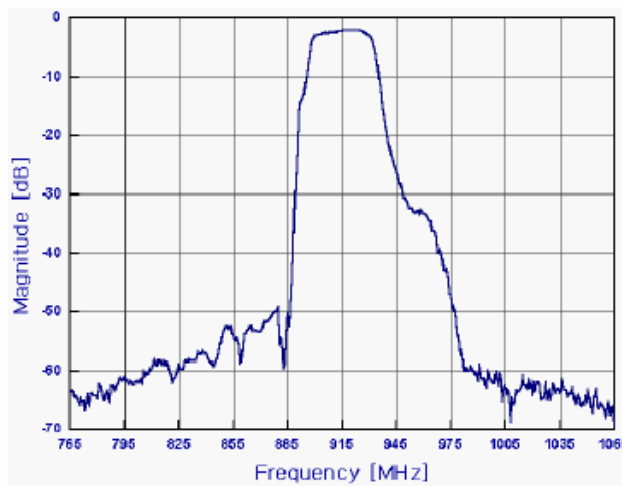
February 09th, 2006

Nominal Frequency Response

Frequency Response



Frequency Response



TMX AT14

SAW Bandpass Filter – Remote Control - RF

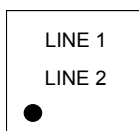
Preliminary Specification (Rev.1)- RF

February 09th, 2006

Maximum Ratings

Storage Temperature Range	°C	[-40°C ; +85°C]
Operable temperature Range	°C	[-30°C ; +80°C]
DC Voltage	V	5
Input power	dBm	20

Marking



Line 1: "NNNN" is the reference to Temex Part number with only the last 4 digits

Line 2: RYWWZZ is the date code as:

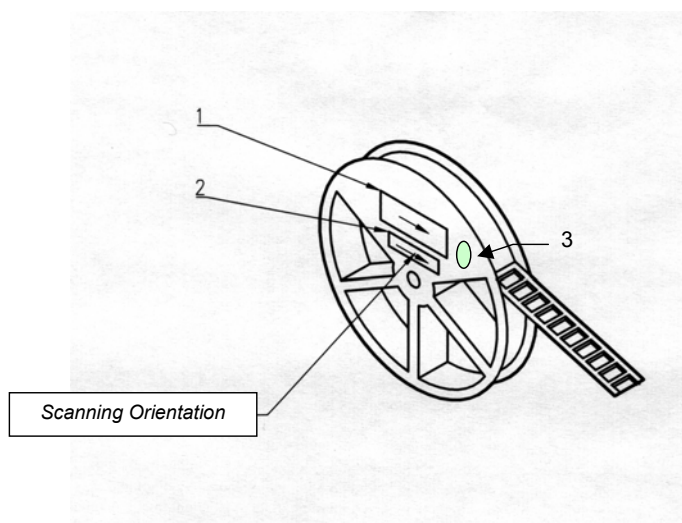
R: Partner identifier.

Y: last digit of the year.

WW: number of week in the year

ZZ: Lot number in the week (from AA to ZZ).

Packaging



1 – Temex Label

2 – ESD Prevention Label

3 – Pb Free Label