

Low Noise

Amplifier

NEW!
ZX60-3011

50Ω 400 to 3000 MHz



BLUE CELL™
CASE STYLE: GC957

Features

- high dynamic range
- wide bandwidth, 0.4 to 3.0 GHz
- low noise figure 1.5 dB typ.
- 1dB compression, +19 dBm
- medium IP3
- reverse voltage connection protected
- over-voltage transient protected
- thermal over-load protected
- low cost

Applications

- buffer amplifier
- LO amplifiers for mixers
- cellular
- PCN
- general purpose small signal

Electrical Specifications (T_{AMB}=25°C)

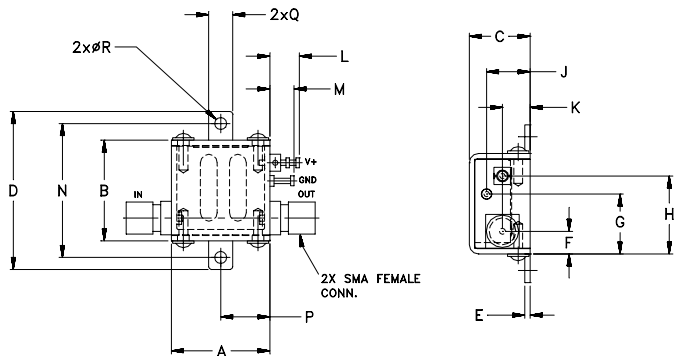
MODEL NO.	FREQ. (GHz) f _L - f _U	GAIN (dB)		Flatness Typ.	NOISE FIGURE (dB)		MAXIMUM POWER (dBm)			INTER-CEPT POINT IP3 dBm Typ.	VSWR (:1) Typ.		DC POWER		CASE STYLE	PRICE \$ QTY. (1-9)
		Typ.	Min.		Typ.	Max.	Output (1 dB Comp.) Typ.	Input (no damage) Min.	+		In	Out	Volt ¹ Typ.	Max. Current (mA)		
ZX60-3011	0.4-1.0	15.0	12	±.70	1.4	2.5	21.5	19.5	+15	31	1.7	1.6	12	120	GC957	139.95
	1.0-1.7	13.5	11	±1.0	1.5	2.5	21.5	19.5	+15	31	1.7	1.6	12	120		
	1.7-2.4	11.5	9	±1.0	1.7	2.6	21.0	18.5	+15	31	1.7	1.6	12	120		
	2.4-3.0	10.0	7.5	±.70	1.8	2.8	20.4	18.0	+15	31	1.7	1.6	12	120		

Maximum Ratings

Operating Temperature	-40°C to +85°C case -40°C to +60°C ambient
Storage Temperature	-55°C to +100°C
DC Voltage	6.5V min. to 15V max.
Input Power (no damage)	15 dBm
Power	1.12W typ at 12V

¹ Other voltages available in the 6.5 to 20V range, please contact factory.

Outline Drawing



Outline Dimensions (inch/mm)

A	B	C	D	E	F	G	H	J
0.74	.75	.46	1.18	.04	.17	.45	.59	.33
18.8	19.1	11.6	30.0	1.0	4.3	11.4	14.9	8.3
K	L	M	N	P	Q	R	wt.	
.21	.22	.18	1.00	.37	.18	.09	grams	
5.3	5.6	4.6	25.4	9.4	4.6	2.3	23.0	

Mini-Circuits®

Distribution Centers NORTH AMERICA 800-654-7949 • 417-335-5935 • Fax 417-335-5945 • EUROPE 44-1252-832600 • Fax 44-1252-837010

Mini-Circuits ISO 9001 & ISO 14001 Certified

INTERNET <http://www.minicircuits.com>

P.O. Box 350166, Brooklyn, New York 11235-0003 (718) 934-4500 Fax (718) 332-4661

REV. B
M93863
ZX60-3011
EDB030109
BLUEC/TD/CP
040813

