

UTC LM339

LINEAR INTEGRATED CIRCUIT

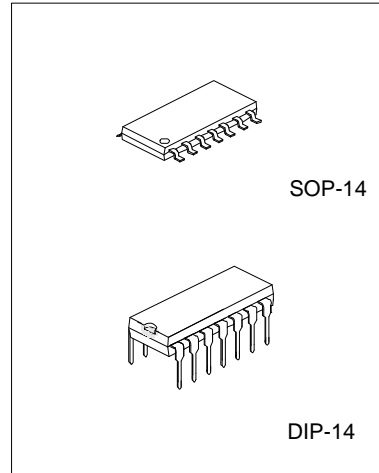
QUAD DIFFERENTIAL COMPARATOR

DESCRIPTION

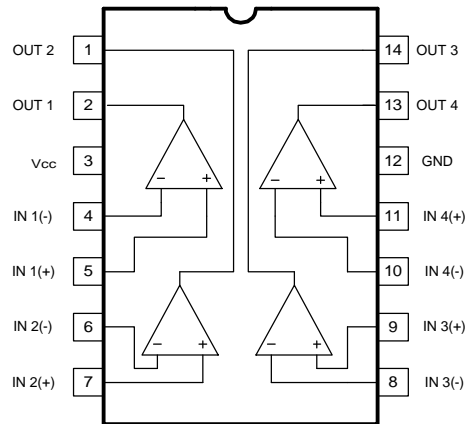
The UTC LM339 consists of four independent voltage comparators, designed specifically to operate from a single power supply over a wide voltage range.

FEATURES

- *Signal or dual supply operation.
- *Wide operating supply range($V_{cc}=2V\sim 36V$).
- *Input common-mode voltage includes ground.
- *Low supply current drain $I_{CC}=0.8mA$ (Typical).
- *Open collector outputs for wired and connection.
- *Low input bias current $I_{bias}=25nA$ (Typical).
- *Low output saturation voltage.
- *Output compatible with TTL, DTL, and CMOS logic system.



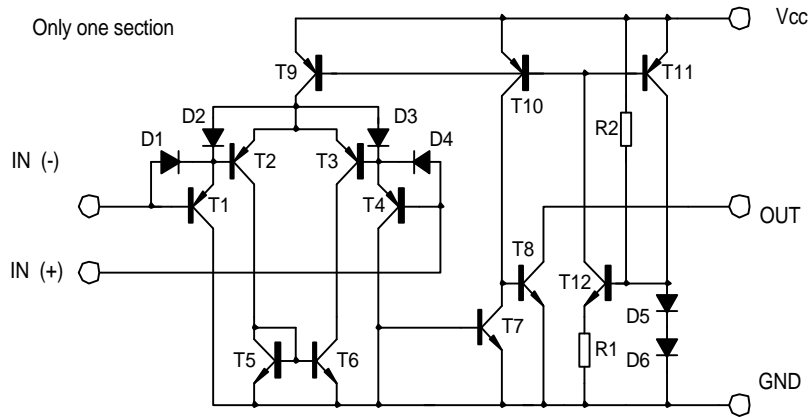
PIN CONFIGURATIONS



UTC LM339

LINEAR INTEGRATED CIRCUIT

BLOCK DIAGRAM



ABSOLUTE MAXIMUM RATINGS (Ta=25°C)

PARAMETER	SYMBOL	VALUE	UNIT
Supply Voltage	Vcc	± 18 OR 36	V
Differential input Voltage	V _{IDiff}	36	V
Input Voltage	V _I	-0.3~36V	V
Power Dissipation	P _d	570	mW
Operating Temperature	T _{opr}	0 to +70	°C
Storage Temperature	T _{stg}	-65 to 150	°C

ELECTRICAL CHARACTERISTICS

(Vcc=5.0V, Ta=25°C, All voltage referenced to GND unless otherwise specified)

PARAMETER	SYMBOL	TEST CONDITIONS	MIN	TYP.	MAX	UNIT
Input Offset Voltage	V _{io}	V _{CM} =0 to V _{cc} -1.5 V _{o(p)} =1.4V, R _s =0		±1.5	±5.0	mV
Input Offset Current	I _{io}			±2.3	±50	nA
Input Bias Current	I _b			57	250	nA
Input Common-Mode Voltage Range	V _{I(R)}		0		V _{cc} -1.5	V
Supply Current	I _{cc}	R _L =∞		1.1	2.0	mA
Large Signal Voltage Gain	G _v	V _{cc} =15V, R _L >15kΩ	50	200		V/mV
Large Signal Response Time	t _{res}	V _i =TTL logic wing V _{ref} =1.4V, V _R =5V, R _L =5.1kΩ		350		ns
Response Time	t _{res}	V _R =5V, R _L =5.1kΩ		1400		ns
Output Sink Current	I _{sink}	V _{i(-)} >1V, V _{i(+)} =0V, V _{o(p)} <1.5V	6	18		mA
Output Saturation Voltage	V _{sat}	V _{i(-)} >1V, V _{i(+)} =0V, I _{sink} =4mA		140	400	mV
Output Leakage Current	I _{leakage}	V _{i(+)} =1V, V _{i(-)} =0 V _{o(p)} =5V V _{o(p)} =30V		0.1	1.0	nA μA
Differential Input Voltage	V _{I(diff)}				36	V

UTC

UNISONIC TECHNOLOGIES CO., LTD.

2

QW-R104-001,B

UTC LM339 LINEAR INTEGRATED CIRCUIT

TYPICAL PERFORMANCE CHARACTERISTICS

