

TEA4989 is an Audio Line matching transformer with the following features.

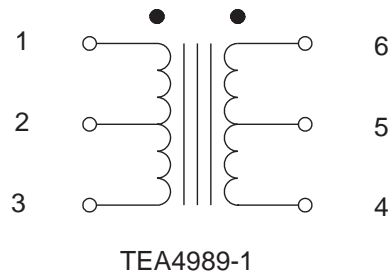
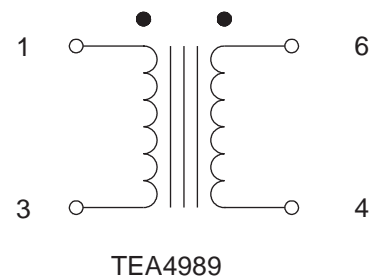
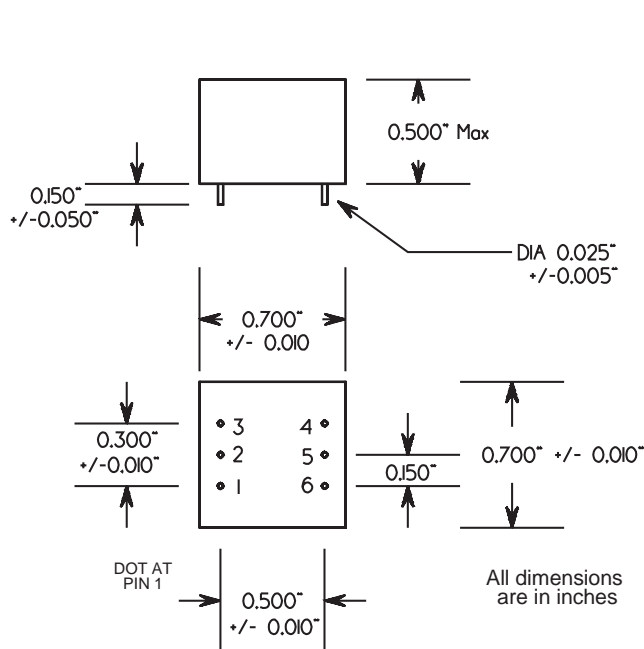
- Low profile.
- Conforms to FCC part 68, Canadian CS 03 regulations.

Applications:

Line matching in 600 & 900 Ω circuits with up to 10 mA d.c. imbalance.



## MECHANICAL



## ELECTRICAL

		TEA4989	TEA4989-1
Turns Ratio		1 : 1	1 c.t. : 1 c.t.
Insertion Loss	1000 Hz	1.5 dB	1.5 dB
Frequency Response	300 - 5000 Hz	< 1.0 dB	< 1.0 dB
Longitudinal Balance	300 - 5000Hz	> 65 dB	> 65 dB
Winding Resistance	(1 - 3) (6 - 4)	88 Ω nom. 106 Ω nom.	88 Ω nom. 106 Ω nom.
Return Loss	300 - 5000 Hz	> 11 dB	> 11 dB
Dielectric Strength		1500 Vrms	1500 Vrms

TEA4989.CHP  
95/04/11  
ISSUE: D