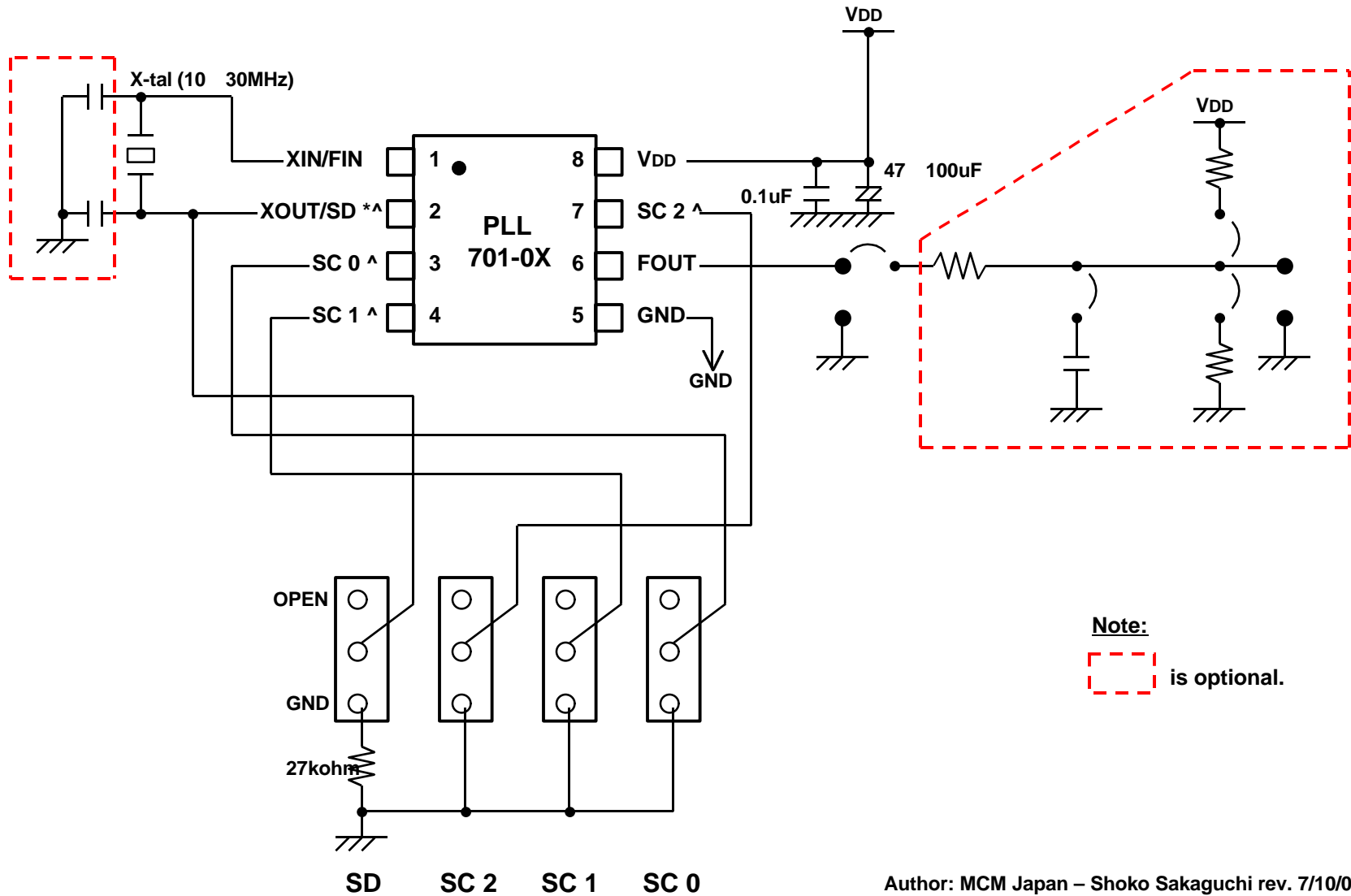


TB701-0X Test board schematic for PLL701-0X products



Note:
is optional.