

Surface Mount

Power Splitter/Combiner

SYPS-3-12W-75+

3 Way-0° 75Ω

20 to 1200 MHz



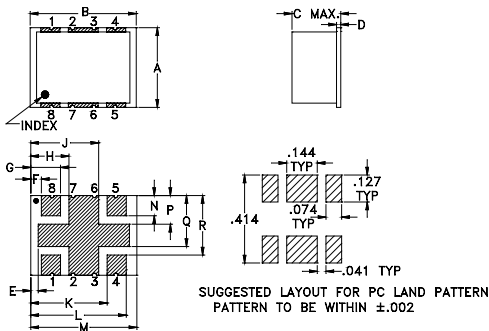
Maximum Ratings

Operating Temperature	-40°C to 85°C
Storage Temperature	-55°C to 100°C
Power Input (as a splitter)	1W max.
Internal Dissipation	0.15 W max.

Pin Connections

SUM PORT	8
PORT 1	1
PORT 2	4
PORT 3	5
GROUND	2,3,6,7

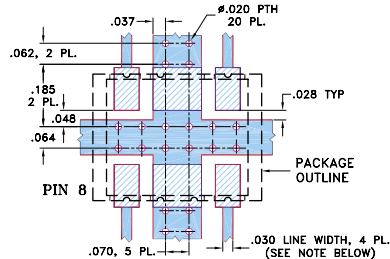
Outline Drawing



Outline Dimensions (Inch/mm)

A	B	C	D	E	F	G	H	J	K	L	M	N	P	Q	R	wt
.375	.500	.25	.020	0.35	.050	.140	.180	.320	.360	.450	.320	.360	.135	.240	.280	grams
9.53	12.70	6.35	0.51	8.89	1.27	3.56	4.57	8.13	9.14	11.43	8.13	9.14	3.43	6.10	7.11	0.80

Demo Board MCL P/N: TB-361 Suggested PCB Layout (PL-229)



Features

- low insertion loss 0.7 dB typ.
- good isolation, 25 dB typ.
- wide frequency band, 20 to 1200 MHz, usable 5-1300 MHz
- low amplitude unbalance, 0.1 dB typ.
- low phase unbalance, 0.5 deg. typ.

Applications

- CATV

CASE STYLE: AH202

PRICE: \$ 9.95 ea. QTY (1-9)

+ RoHS compliant in accordance with EU Directive (2002/95/EC)

The +Suffix has been added in order to identify RoHS Compliance. See our web site for RoHS Compliance methodologies and qualifications.

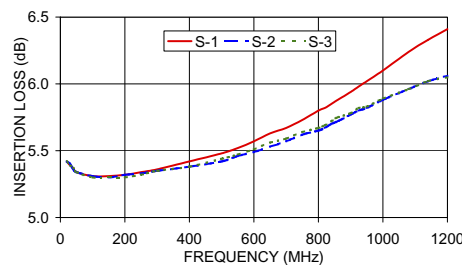
Splitter Electrical Specifications

FREQUENCY (MHz)	ISOLATION (dB)		INSERTION LOSS (dB) ABOVE 4.8 dB		PHASE UNBALANCE (deg.)	AMPLITUDE UNBALANCE (dB)
	Typ.	Min.	Typ.	Max.	Max.	Max.
20-860	25	18	0.7	1.5	3	0.4
860-1200	20	17	1.2	2.2	5	0.8

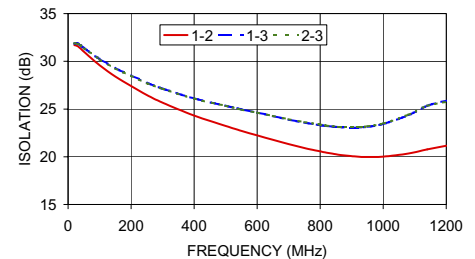
Typical Performance Data

FREQ. (MHz)	INSERTION LOSS (dB)			AMPLITUDE UNBALANCE (dB)	ISOLATION (dB)			PHASE UNBALANCE (deg.)	VSWR			
	S-1	S-2	S-3		1-2	1-3	2-3		S	1	2	3
20.00	5.42	5.42	5.42	0.01	31.70	31.86	31.88	0.11	1.18	1.25	1.24	1.25
50.00	5.34	5.34	5.34	0.00	31.00	31.40	31.37	0.04	1.12	1.23	1.22	1.22
100.00	5.31	5.31	5.30	0.01	29.59	30.25	30.23	0.12	1.09	1.21	1.20	1.20
200.00	5.32	5.32	5.30	0.02	27.42	28.52	28.48	0.23	1.06	1.18	1.17	1.18
300.00	5.36	5.35	5.35	0.02	25.66	27.13	27.11	0.22	1.03	1.16	1.15	1.16
400.00	5.42	5.38	5.38	0.04	24.31	26.11	26.09	0.36	1.03	1.13	1.13	1.14
500.00	5.48	5.42	5.44	0.06	23.23	25.33	25.33	0.27	1.03	1.11	1.12	1.13
600.00	5.57	5.49	5.51	0.07	22.24	24.62	24.63	0.34	1.03	1.10	1.11	1.12
700.00	5.67	5.57	5.59	0.10	21.32	23.89	23.93	0.23	1.05	1.12	1.11	1.11
800.00	5.80	5.65	5.67	0.14	20.56	23.31	23.36	0.17	1.09	1.14	1.13	1.11
900.00	5.94	5.77	5.78	0.17	20.07	23.04	23.12	0.12	1.13	1.19	1.15	1.12
1000.00	6.10	5.88	5.89	0.22	20.01	23.44	23.49	0.38	1.16	1.24	1.20	1.14
1080.00	6.24	5.96	5.96	0.28	20.34	24.35	24.41	0.72	1.17	1.27	1.24	1.16
1140.00	6.33	6.02	6.02	0.31	20.77	25.33	25.33	1.01	1.17	1.30	1.27	1.18
1200.00	6.41	6.06	6.05	0.36	21.16	25.88	25.76	1.60	1.17	1.32	1.29	1.19

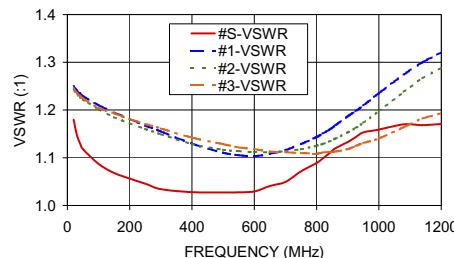
SYPS-3-12W-75
INSERTION LOSS



SYPS-3-12W-75
ISOLATION



SYPS-3-12W-75
VSWR



electrical schematic

