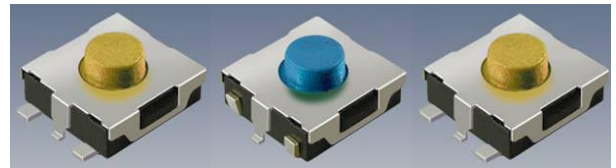


Model SWT7
Tactile Switches, 6.2 X 6.3 mm
Low Profile, SMD
RoHS Compliant



New Product

MODELS AVAILABLE

Top Actuation – G Pin	SWT7-G
Top Actuation - G Pin w/ Ground	SWT7-X
Top Actuation - J Pin	SWT7-J
Top Actuation - J Pin w/ Ground	SWT7-Z

ELECTRICAL

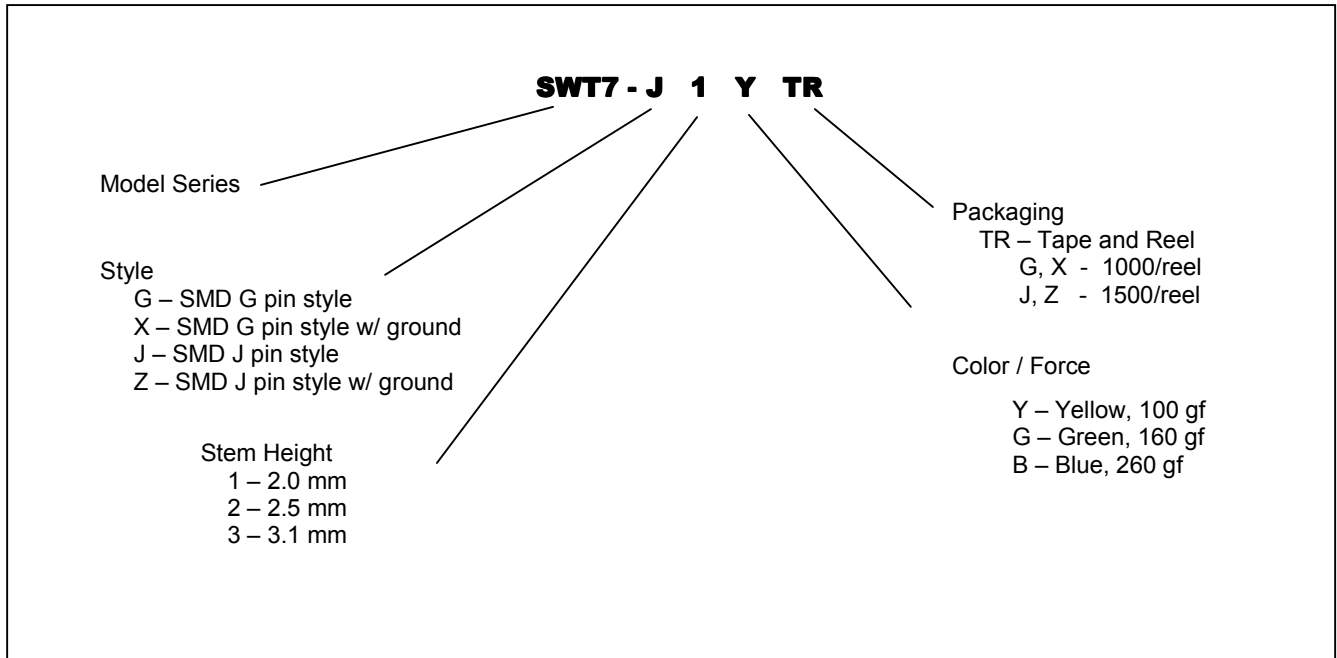
Contact Resistance	100 mΩ
Insulation Resistance	100 MΩ min
Dielectric Strength	AC 250V
Rating	DC 12V, 50 mA
Contact Arrangement	Single throw single pole

ENVIRONMENTAL

Life Mechanical	100K Cycles
Operating Force Range (refer to operating force table)	100 gf – 260 gf
Operating Temperature Range	-20°C – 70°C
Storage Temperature Range	-30°C – 80°C
Stop Strength	Vertical Static Load of 3Kgf
Vibration	Mil-STD-202F, Method 201A
Shock	Mil-STD-202F, Method 213B Condition A
Soldering	Recommendations available upon request

Model SWT7

ORDERING INFORMATION¹



**Contact our customer service for custom designs and features.*

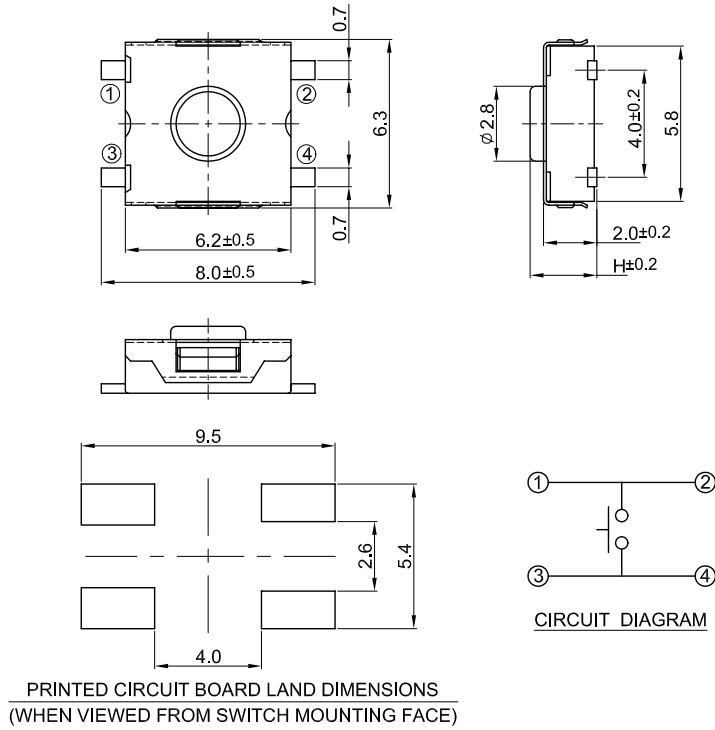
BI Technologies Corporation
4200 Bonita Place, Fullerton, CA 92835 USA
Phone: 714 447 2345 Website: www.bitechnologies.com



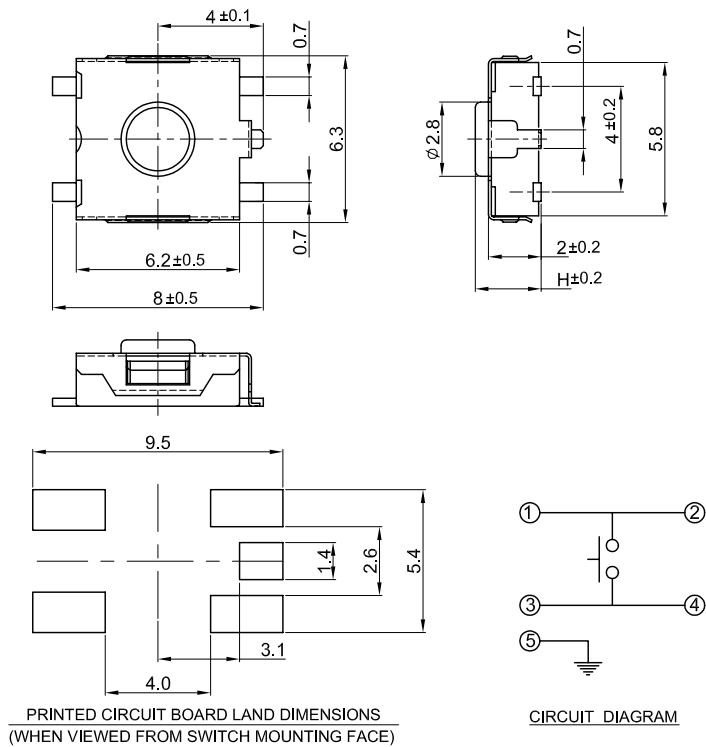
Model SWT7

OUTLINE DRAWINGS

SWT7-G Top Actuation

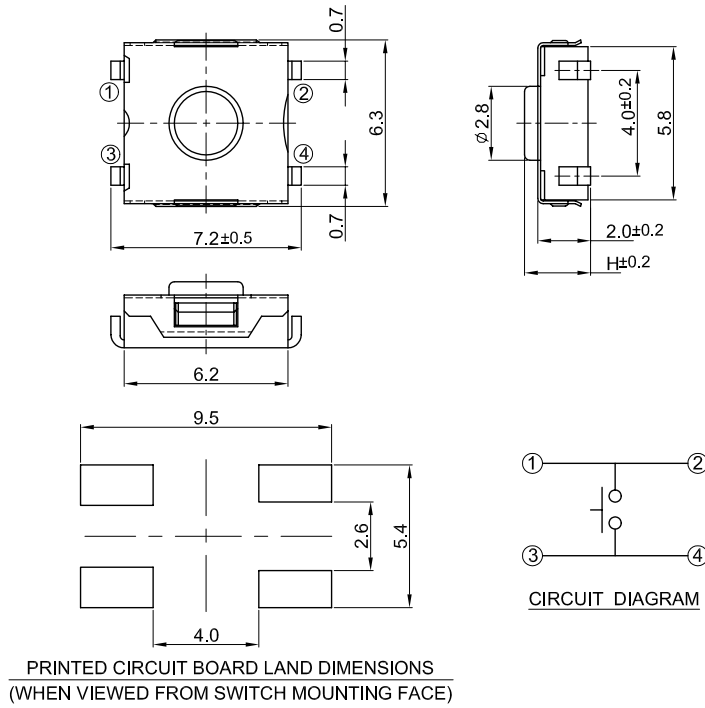


SWT7- X Top Actuation with Ground

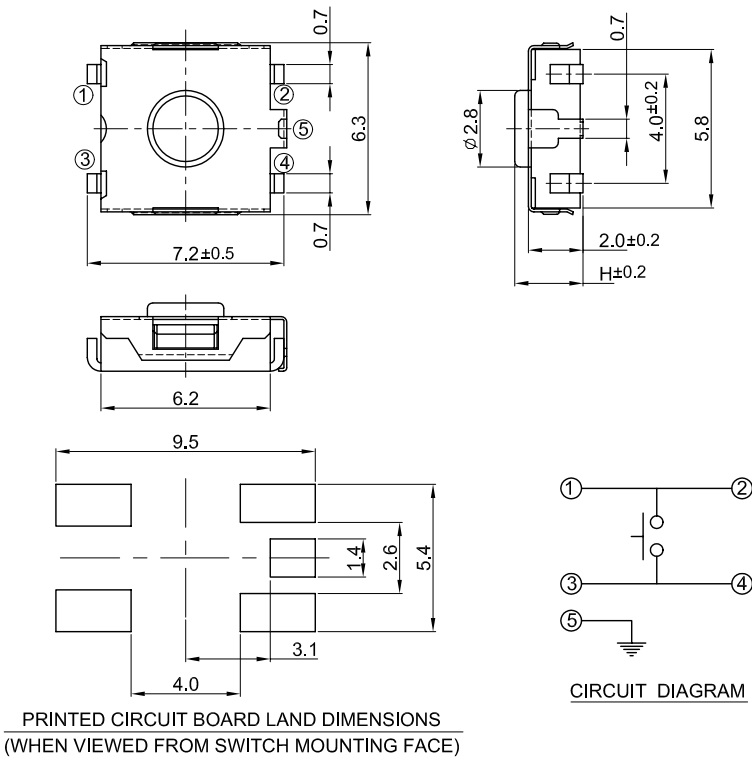


Model SWT7

SWT7-J Top Actuation



SWT7-Z Top Actuation with ground



Model SWT7

PACKAGING

