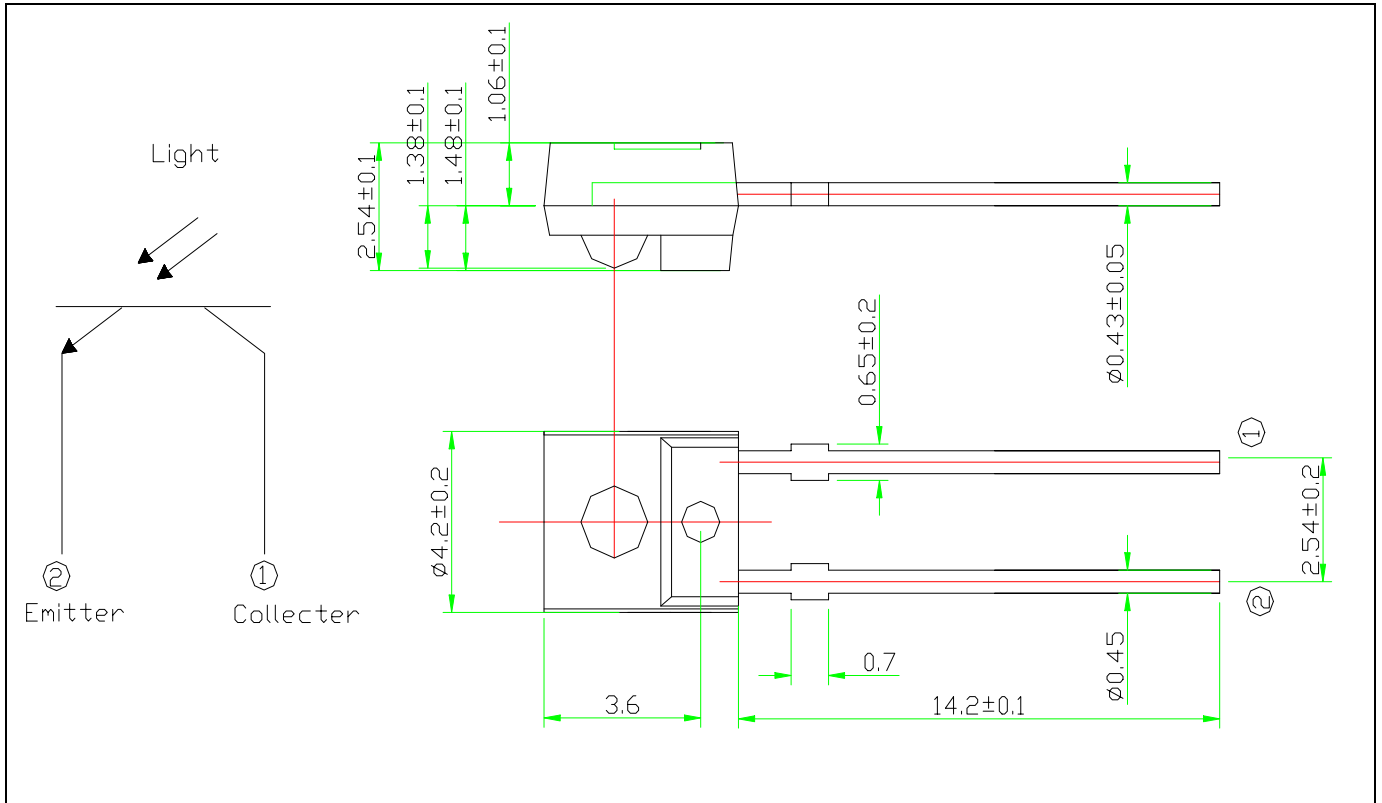


SST-4T5

■ Outline Dimension



■ Features

- High Sensitivity
- Side looker plastic package
- Low - cost

■ Applications

- Optical counters
- Optoelectronic switches
- Infrared applied systems

■ Absolute Maximum Ratings (Ta=25°C)

Item	Symbol	Rating	Unit
Collector-Emitter Voltage	V_{CE0}	30	V
Emitter-Collector Voltage	V_{EC0}	5	V
Power Dissipation	P_c	100	mW
Collector Current	I_C	30	mA
Operating Temperature	T_{opr}	-25 ~ +85	°C
Storage Temperature	T_{stg}	-30 ~ +85	°C
Soldering Temperature	T_{sol}	260 (for 5sec)	°C

● Soldering conditions:

Soldering iron: Temperature at tip of iron: 280°C max (30W max)

Soldering time: 3sec. Max.

■ Electro-Optical Characteristics (Ta=25°C)

Item	Symbol	Condition	Min	Typ	Max	Unit
Collector Dark Current	I_{CEO}	$V_{CE0} = 10V$	-	-	0.1	μA
Light Current	I_L	$V_{CE} = 5V$ $E_V = 2000Lux$	0.5	7	-	mA
Rise/ Fall Time	T_r / T_f	$V_{CC} = 5V, I_C = 1mA$ $R_L = 100\Omega$	-	10/10		μS
Peak Sensitivity Wavelength	λ_P			880		nm
Collector- Emitter Saturation Voltage	$V_{CE(S)}$	$V_{CE0} = 5V$ $E_V = 2000Lux$	-	0.1	0.4	V