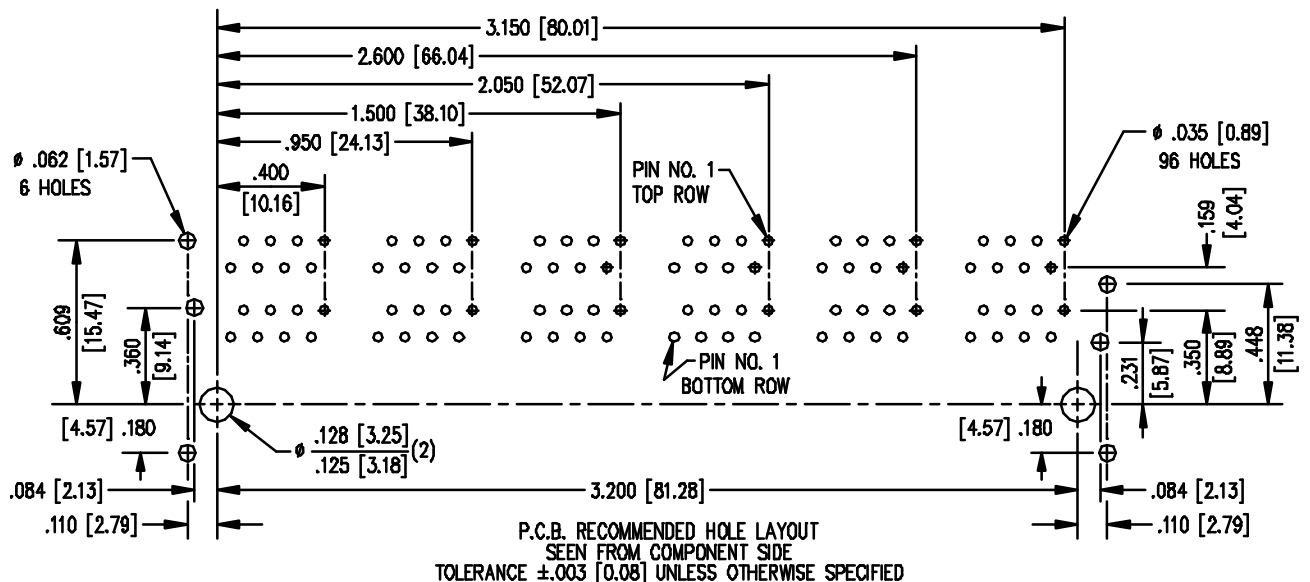
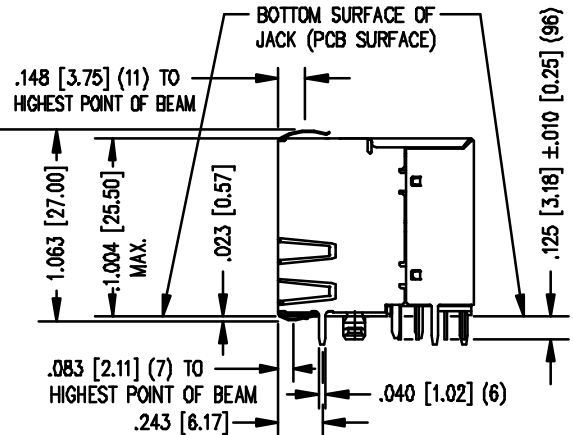
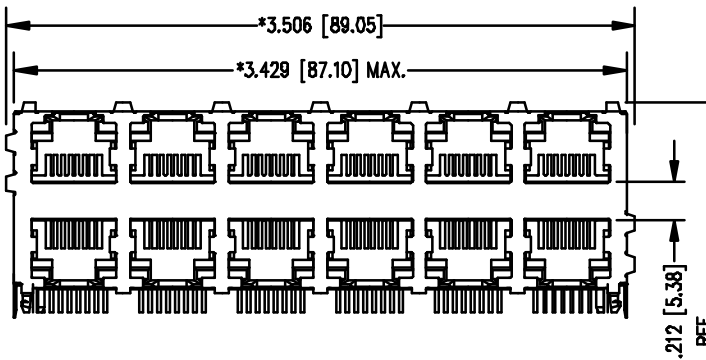
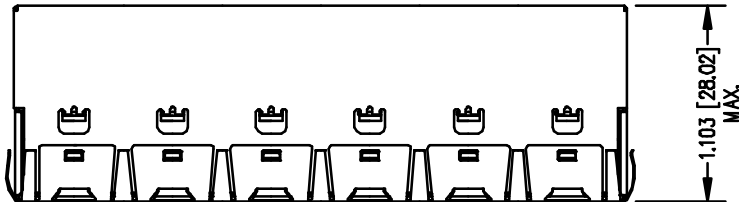
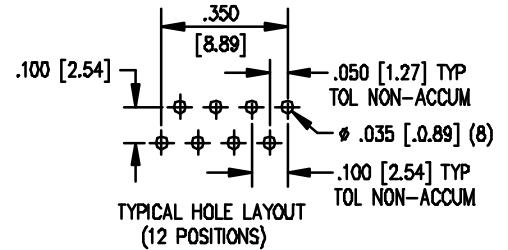


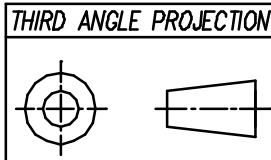
REV.	REVISION CHANGES
X0	AS DRAWN
AD	PRODUCT BASELINE

**FOR REFERENCE ONLY**

**PART NO. SS-73100-015**  
 CATEGORY 3 SHIELDED STACK JACK  
 EIGHT CONTACT, EIGHT POSITION  
 50 MICRO INCHES GOLD  
 12 PORTS (6 ON 6)



- NOTES:
- TOLERANCES COMPLY WITH F.C.C. DIMENSION REQUIREMENTS.
  - DIMENSIONS SHOWN WITH "\*" TO BE CENTRAL ABOUT CENTER LINE.
  - DIMENSIONS SHOWN ARE SUBJECT TO CHANGE WITHOUT NOTICE.

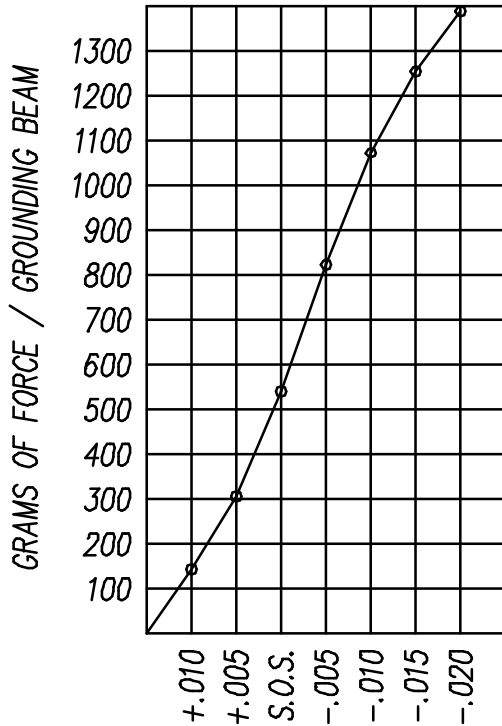


THIS DRAWING AND THE SUBJECT MATTER SHOWN THEREON ARE CONFIDENTIAL AND THE PROPRIETARY PROPERTY OF STEWART CONNECTOR SYSTEMS ("SCS") AND SHALL NOT BE REPRODUCED, COPIED OR USED IN ANY MANNER WITHOUT PRIOR WRITTEN CONSENT OF "SCS". THE SUBJECT MATTER MAY BE PATENTED OR A PATENT MAY BE PENDING. © SCS

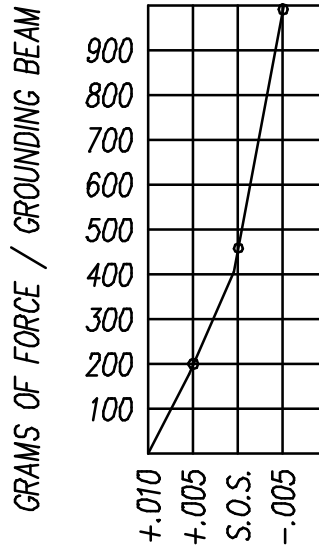
REV.	REVISION CHANGES
X0	AS DRAWN
AD	PRODUCT BASELINE

PART NO. SS-73100-015

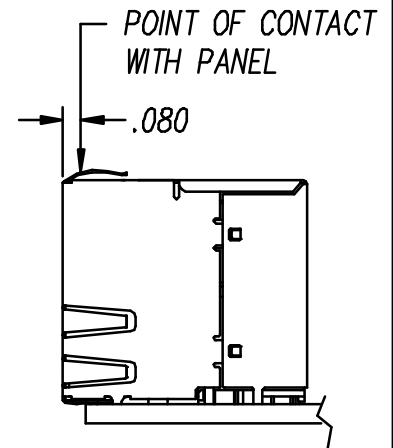
**FOR REFERENCE ONLY**



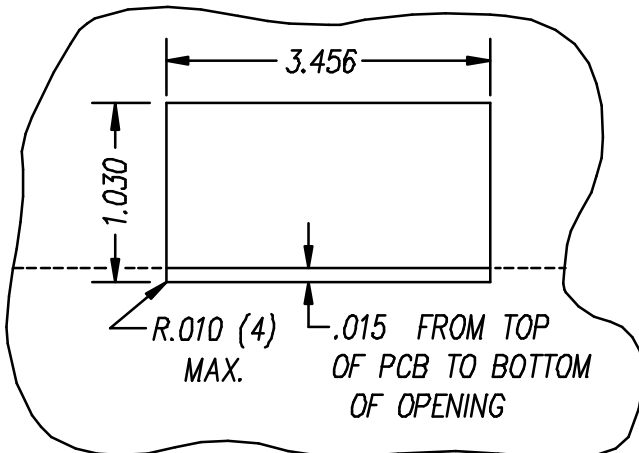
PANEL GROUNDING BEAM DEFLECTION  
 TOP AND SIDE BEAMS  
 S.O.S. = SUGGESTED OPENING SIZE



PANEL GROUNDING BEAM DEFLECTION  
 BOTTOM BEAMS ONLY  
 S.O.S. = SUGGESTED OPENING SIZE

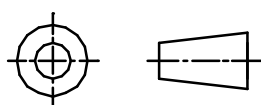


THE SUGGESTED PANEL OPENING IS INTENDED TO GIVE THE USER THE ABILITY TO HAVE REASONABLE JACK / PANEL CLEARANCES YET MAINTAIN RELIABLE GROUNDING CAPABILITY. THESE VARIABLES CAN BE ADJUSTED IN EITHER DIRECTION BUT MAY CARRY SOME CONSEQUENCES IN THE FORM OF LOWER MATING FORCES OR TIGHTER ASSEMBLY TOLERANCES. FORCE VALUES ON THE GRAPH(S) ARE GENERAL AVERAGES TAKEN AT A POINT OF CONTACT SHOWN ABOVE. THE SUGGESTED PANEL OPENING INCLUDES APPROXIMATELY .020 CLEARANCE ON THE TOP AND SIDES, WITH .015 CLEARANCE ON THE BOTTOM.



SUGGESTED PANEL OPENING  
 (N.T.S.)

THIRD ANGLE PROJECTION



THIS DRAWING AND THE SUBJECT MATTER SHOWN THEREON ARE CONFIDENTIAL AND THE PROPRIETARY PROPERTY OF STEWART CONNECTOR SYSTEMS ("SCS") AND SHALL NOT BE REPRODUCED, COPIED OR USED IN ANY MANNER WITHOUT PRIOR WRITTEN CONSENT OF "SCS". THE SUBJECT MATTER MAY BE PATENTED OR A PATENT MAY BE PENDING. © SCS