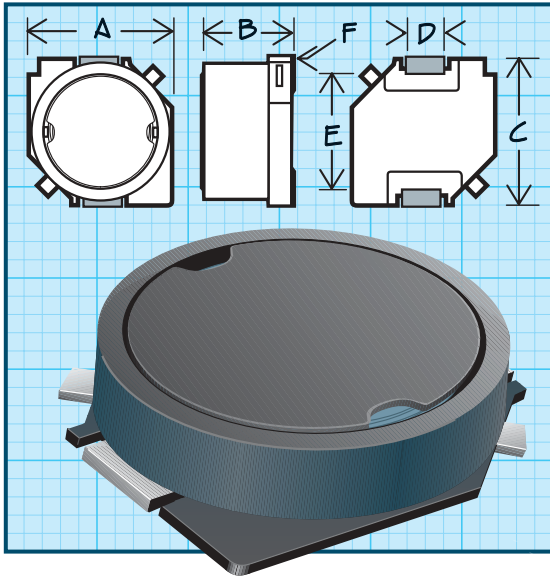


Series 3483 & S3483

Surface Mount Power Inductors



Physical Parameters

| | Inches | Millimeters |
|---|----------------|-------------|
| A | 0.276 to 0.299 | 7.0 to 7.6 |
| B | 0.114 to 0.138 | 2.9 to 3.5 |
| C | 0.276 to 0.299 | 7.0 to 7.6 |
| D | 0.067 to 0.091 | 1.7 to 2.3 |
| E | 0.201 to 0.224 | 5.1 to 5.7 |
| F | 0.033 Nom. | 0.85 Nom. |

F = Electrode Thickness

Current Rating

The DC where inductance value decreases 10% or where the temperature rise is 40°C Max.

Operating Temperature Range -20°C to +80°C

Marking Printed with the last three numbers of the Delevan Part Number (i.e. 101)

Electrical Characteristics (Initial) @ 25°C

- Notes**
- 1) Miniature Surface Mount Type
 - 2) Low Profile
 - 3) Inductance Range is 1-100µH
 - 4) Available in Magnetically Shielded or Unshielded Versions

Packaging Tape and Reel for Auto Insertion (16mm): 13" reel, 1000 pieces max.; 7" reel not available. Quantities less than full reel are on "cut tape".

PART NUMBER

INDUCTANCE @ 100 KHz
(µH) ±20%

DC RESISTANCE
MAXIMUM (OHMS)

CURRENT RATING
MAXIMUM (Amps)

SERIES 3483 - UNSHIELDED

| | | | |
|-----------|-------|-------|------|
| 3483-1R0M | 1.0 | 0.022 | 2.88 |
| 3483-1R5M | 1.5 | 0.026 | 2.67 |
| 3483-2R2M | 2.2 | 0.032 | 2.40 |
| 3483-3R3M | 3.3 | 0.041 | 2.08 |
| 3483-4R7M | 4.7 | 0.049 | 1.92 |
| 3483-6R8M | 6.8 | 0.067 | 1.60 |
| 3483-100M | 10.0 | 0.085 | 1.41 |
| 3483-120M | 12.0 | 0.100 | 1.28 |
| 3483-150M | 15.0 | 0.130 | 1.12 |
| 3483-180M | 18.0 | 0.160 | 1.00 |
| 3483-220M | 22.0 | 0.180 | 0.93 |
| 3483-270M | 27.0 | 0.240 | 0.80 |
| 3483-330M | 33.0 | 0.290 | 0.72 |
| 3483-390M | 39.0 | 0.340 | 0.66 |
| 3483-470M | 47.0 | 0.410 | 0.59 |
| 3483-560M | 56.0 | 0.480 | 0.55 |
| 3483-680M | 68.0 | 0.600 | 0.49 |
| 3483-820M | 82.0 | 0.710 | 0.44 |
| 3483-101M | 100.0 | 0.950 | 0.38 |

SERIES 3483 - SHIELDED WITH FERRITE

| | | | |
|------------|-------|-------|------|
| S3483-1R0M | 1.0 | 0.019 | 3.12 |
| S3483-1R5M | 1.5 | 0.023 | 2.85 |
| S3483-2R2M | 2.2 | 0.028 | 2.66 |
| S3483-3R3M | 3.3 | 0.035 | 2.26 |
| S3483-4R7M | 4.7 | 0.043 | 1.96 |
| S3483-6R8M | 6.8 | 0.055 | 1.76 |
| S3483-100M | 10.0 | 0.080 | 1.34 |
| S3483-120M | 12.0 | 0.090 | 1.23 |
| S3483-150M | 15.0 | 0.120 | 1.09 |
| S3483-180M | 18.0 | 0.130 | 0.99 |
| S3483-220M | 22.0 | 0.150 | 0.90 |
| S3483-270M | 27.0 | 0.210 | 0.81 |
| S3483-330M | 33.0 | 0.250 | 0.72 |
| S3483-390M | 39.0 | 0.310 | 0.67 |
| S3483-470M | 47.0 | 0.350 | 0.60 |
| S3483-560M | 56.0 | 0.430 | 0.55 |
| S3483-680M | 68.0 | 0.520 | 0.50 |
| S3483-820M | 82.0 | 0.600 | 0.46 |
| S3483-101M | 100.0 | 0.790 | 0.41 |

POWER INDUCTORS