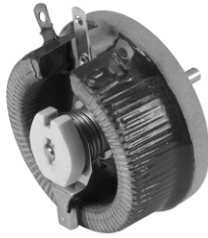
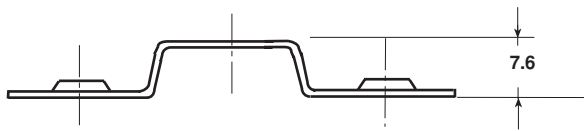
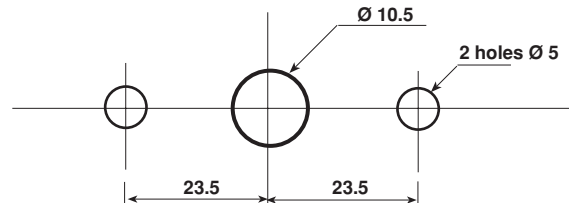
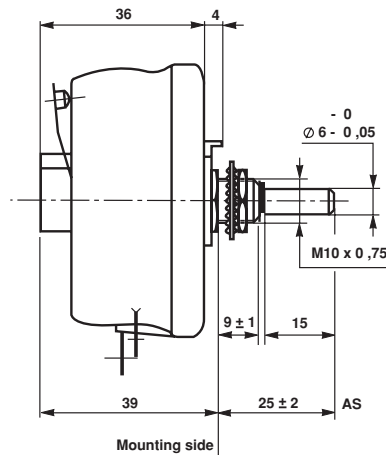
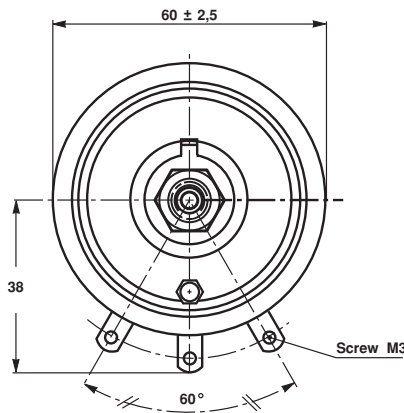
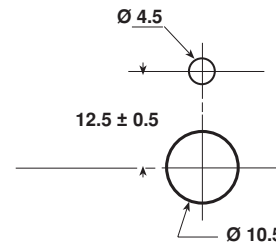


Wirewound Rheostat/Potentiometer


FEATURES

- 55 Watt at 25°C
- 40 Watt at 25°C
- CCTU 05-03B (PA3)

DIMENSIONS in millimeters

ADAPTATION BOARD

PANEL CUT OUT DETAILS

RT55-PA3

PANEL CUT OUT DETAILS

MECHANICAL SPECIFICATIONS

Mechanical Protection	RT55 vitreous RTE55 lacquered
Mechanical Travel	300° ± 5°
Operating Torque	2 to 15 Ncm
End Stop Torque	100 Ncm
Unit Weight	175 g

ENVIRONMENTAL SPECIFICATIONS

Temperature Range	RT55 – 55°C + 320°C RTE55 – 55°C + 220°C
Climatic Category	CCTU 454 CEI 55/200/56

ELECTRICAL SPECIFICATIONS

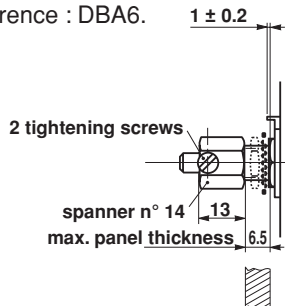
Ohmic Range	RT55	1Ω to 10kΩ
	RTE55	> 10kΩ to 28kΩ
Tolerance Standard		± 10%
Power Rating	RT55	55 W at 25°C
	RTE55	40 W at 25°C
Variation Law	Standard	linear
	On request	sectorial winding
Limiting Element Voltage		500V (linear Law)
Dielectric Strength		1000VRMS
Insulation Resistance		10 ³ MΩ(500Vcc)

LOCKING DEVICE

This is supplied as an option.

The available spindle length is according to the panel thickness.

Order reference : DBA6.



ADAPTATION BOARD

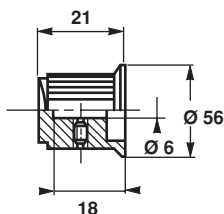
This enables 2 point mounting instead of bush mounting. The adaptation board is supplied as an option with 2 mounting screws.

SPINDLES			
Ø MM	DISTANCE TO MOUNTING PLATE MM	SCREW DRIVER SLOT	CODE
6	22	without	AD
		with	ADF
	25	without	AS
		with	ASF
	50	without	AL

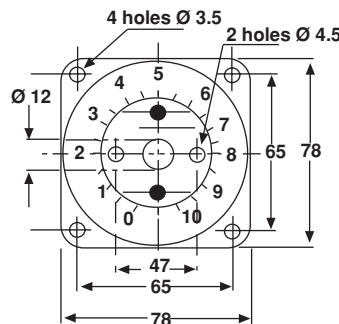
For any special requirement on request : spindle flats, etc. Please supply detailed drawing.

PARTICULAR CHARACTERISTICS		
NOMINAL RESISTANCE Ω	MAX. SERVICE VOLTAGE V	MAX. CURRENT THROUGH WIPER A
1	7.41	7.41
1.5	9.08	6.05
2.2	11	5
3.3	4.7	6.8
4.7	16.1	3.42
6.8	19.3	2.84
10	23.5	2.35
15	28.7	1.91
22	34.8	1.58
33	42.6	1.29
47	50.8	1.08
68	61.2	0.9
100	74.1	0.74
150	90.8	0.6
220	110	0.5
330	135	0.4
470	161	0.34
680	193	0.28
1k	235	0.23
1.5k	287	0.19
2.2k	348	0.16
3.3k	426	0.13
4.7k	500	0.11
5.6k	500	0.09
10k	500	0.05

COMMAND KNOB 41JF (OPTION)



DIAL CG78 (OPTION)



MARKING

SFERNICE trademark, series, style, ohmic value (in Ω or kΩ), tolerance (in %), maximum current in A, manufacturing date

ORDERING PROCEDURE									
VITREOUS	RT	55		L			AD	4.7kΩ	± 10%
LACQUERED	RTE								
	SERIES	STYLE	SPINDLE LOCKING DEVICE	VARIATION LAW	SPECIAL DESIGN	WINDING	SPINDLE (Code)	OHMIC VALUE	TOLERANCE
			Optional		Method N° Optional	Optional	for special spindles please supply detailed drawing		
	ACC	41JF	CG78	XXX					
OPTIONS	MODEL	KNOB	DIAL	OTHER SPECIAL REQUIREMENTS					