



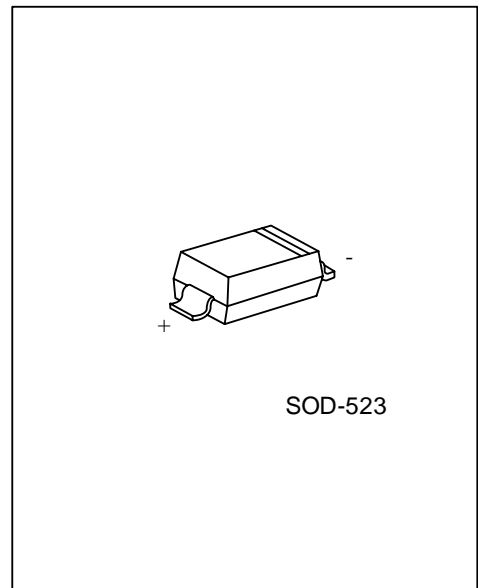
RB521S30

DIODE

SCHOTTKY BARRIER DIODES

■ FEATURES

- * Miniature surface mounting type
- * Low forward voltage drop ($V_F=0.40V$ Typ. at 200mA)
- * Low reverse leakage current
- * Fast switching speed



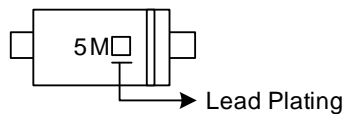
*Pb-free plating product number: RB521S30L

■ ORDERING INFORMATION

Order Number		Package	Packing
Normal	Lead Free Plating		
RB521S30-CC2-R	RB521S30L-CC2-R	SOD-523	Tape Reel

<p>RB521S30L-CC2-R</p> <p>(1) Packing Type (2) Package Type (3) Lead Plating</p>	<p>(1) R: Tape Reel (2) CC2: SOD-523 (3) L: Lead Free Plating Blank: Pb/Sn</p>
--	--

■ MARKING



■ ABSOLUTE MAXIMUM RATINGS (Single Diode @ $T_A=25$)

PARAMETER	SYMBOL	RATINGS	UNIT
Maximum Reverse Voltage (DC)	V_R	30	V
Average Rectified Forward Current	I_{OUT}	200	mA
Non-repetitive Peak Forward Surge Current	I_{FSM}	1	A
Junction Temperature	T_J	+125	
Storage Temperature	T_{STG}	-40 ~ +125	

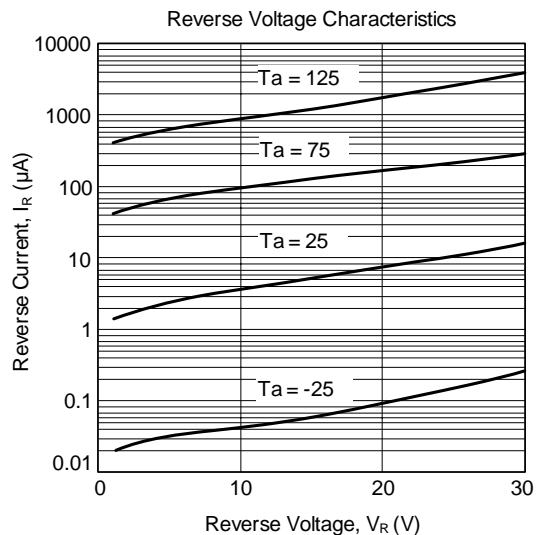
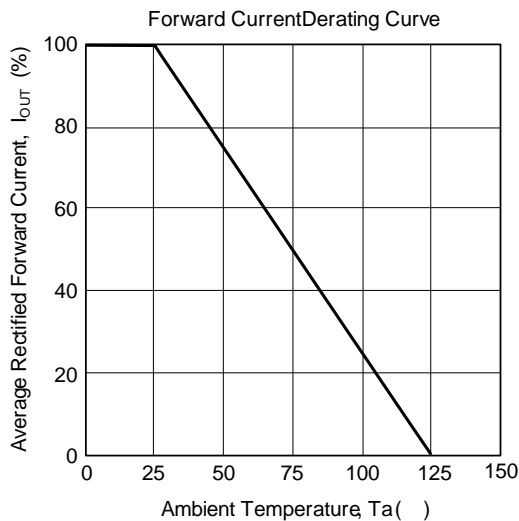
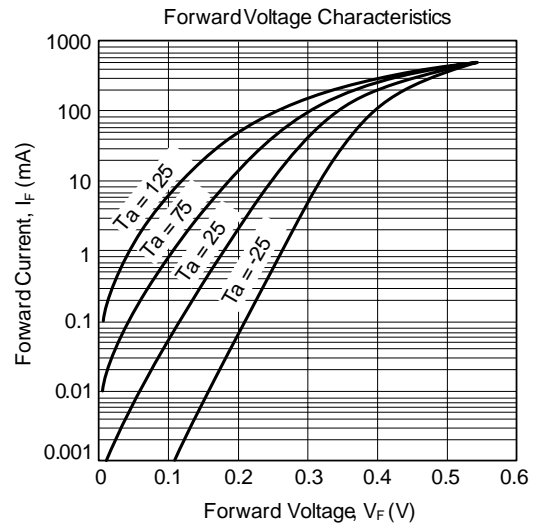
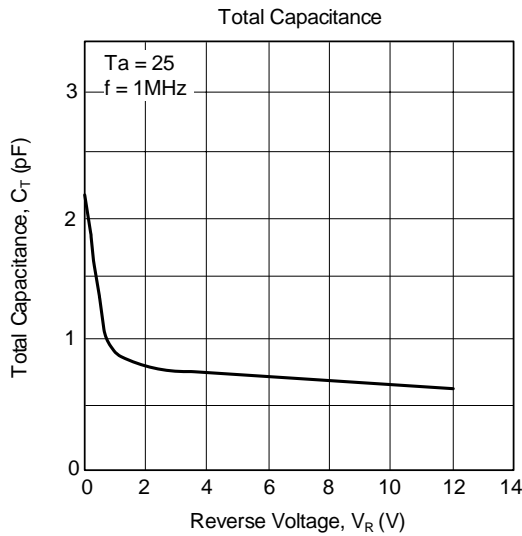
Note: Absolute maximum ratings are those values beyond which the device could be permanently damaged.

Absolute maximum ratings are stress ratings only and functional device operation is not implied.

■ ELECTRICAL CHARACTERISTICS ($T_A=25$, unless otherwise specified)

PARAMETER	SYMBOL	CONDITIONS	MIN	TYP	MAX	UNIT
Forward Voltage Drop	V_F	$I_F=200\text{mA}$			0.5	V
Reverse Leakage Current	I_R	$V_R=10\text{V}$			30	μA

■ TYPICAL CHARACTERISTICS



UTC assumes no responsibility for equipment failures that result from using products at values that exceed, even momentarily, rated values (such as maximum ratings, operating condition ranges, or other parameters) listed in products specifications of any and all UTC products described or contained herein. UTC products are not designed for use in life support appliances, devices or systems where malfunction of these products can be reasonably expected to result in personal injury. Reproduction in whole or in part is prohibited without the prior written consent of the copyright owner. The information presented in this document does not form part of any quotation or contract, is believed to be accurate and reliable and may be changed without notice.