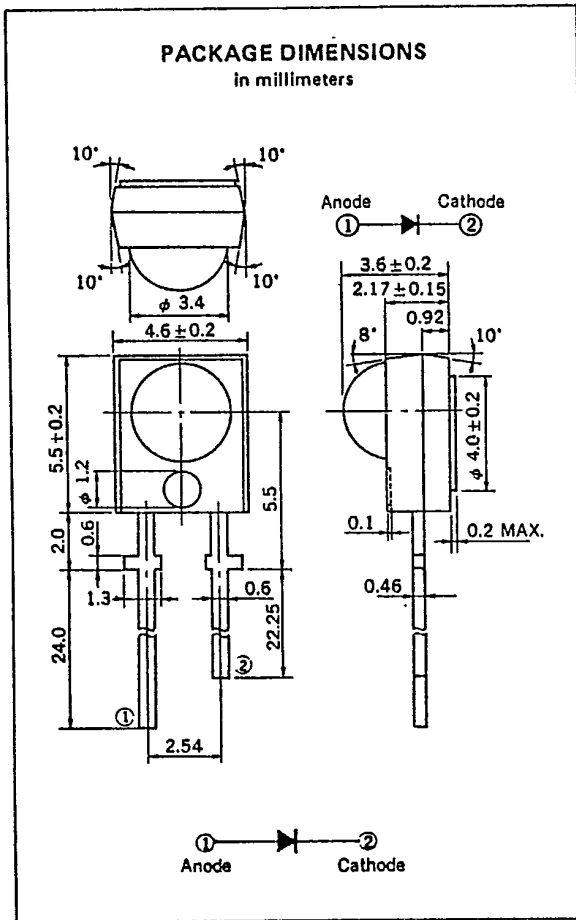




PHOTO DIODE
PH320

PLASTIC MOLDED PIN PHOTO DIODE

- NEPOC SERIES -



DESCRIPTION

PH320 is photo diode with PIN structure. It has a wide photo-receiving area and high speed response enabling applications for various remote controlling equipments. The resin material itself used for the package has filter effect to pass only infrared.

FEATURES

- Ultra high speed response. ($t_r, t_f \approx 30\text{ns}$)
- Coincidence of the wavelength of maximum sensitivity with that of an infrared LED. ($\lambda_{s\text{MAX}} = 990\text{nm}$)
- High sensitivity. ($S_{IR} = 4.4\mu\text{A TYP. @ } V_R = 5\text{V, } H = 0.1\text{mW/cm}^2$)
- Wide dynamic range.

ABSOLUTE MAXIMUM RATINGS

Maximum Reverse Voltage ($T_a = 25^\circ\text{C}$)	V_R	32	V
Maximum Power Dissipation ($T_a = 25^\circ\text{C}$)	P_D	150	mW
Maximum Temperatures			
Operating Temperature	T_{opt}	-30 to +85	$^\circ\text{C}$
Storage Temperature	T_{stg}	-40 to +100	$^\circ\text{C}$