

Version : 1.1

<p>TECHNICAL SPECIFICATION</p> <p>MODEL NO. : PD064VT4</p>
--

Customer's Confirmation

Customer \_\_\_\_\_

Date \_\_\_\_\_

By \_\_\_\_\_

PVI's Confirmation

Confirmed By \_\_\_\_\_

Prepared By \_\_\_\_\_

**FOR MORE INFORMATION:**  
AZ DISPLAYS, INC.  
75 COLUMBIA, ALISO VIEJO, CA, 92656  
[Http://www.AZDISPLAYS.com](http://www.AZDISPLAYS.com)

Date : Nov. 01 , 2004

This technical specification is subject to change without notice.

Please return 1 copy with your signature on this page for approval.

---

*TECHNICAL SPECIFICATION**CONTENTS*

<i>NO.</i>	<i>ITEM</i>	<i>PAGE</i>
-	Cover	1
-	Contents	2
1	Application	3
2	Features	3
3	Mechanical Specifications	3
4	Mechanical Drawing of TFT-LCD module	4
5	Input / Output Terminals	5
6	Absolute Maximum Ratings	7
7	Electrical Characteristics	7
8	Power On Sequence	16
9	Optical Characteristics	17
10	Handling Cautions	19
11	Reliability Test	20
12	Indication of Lot Number Label	20
13	Block Diagram	21
14	Packing	22
-	Revision History	23

## 1. Application

This product applies computer peripheral , industrial meter , image communication and multi-media.

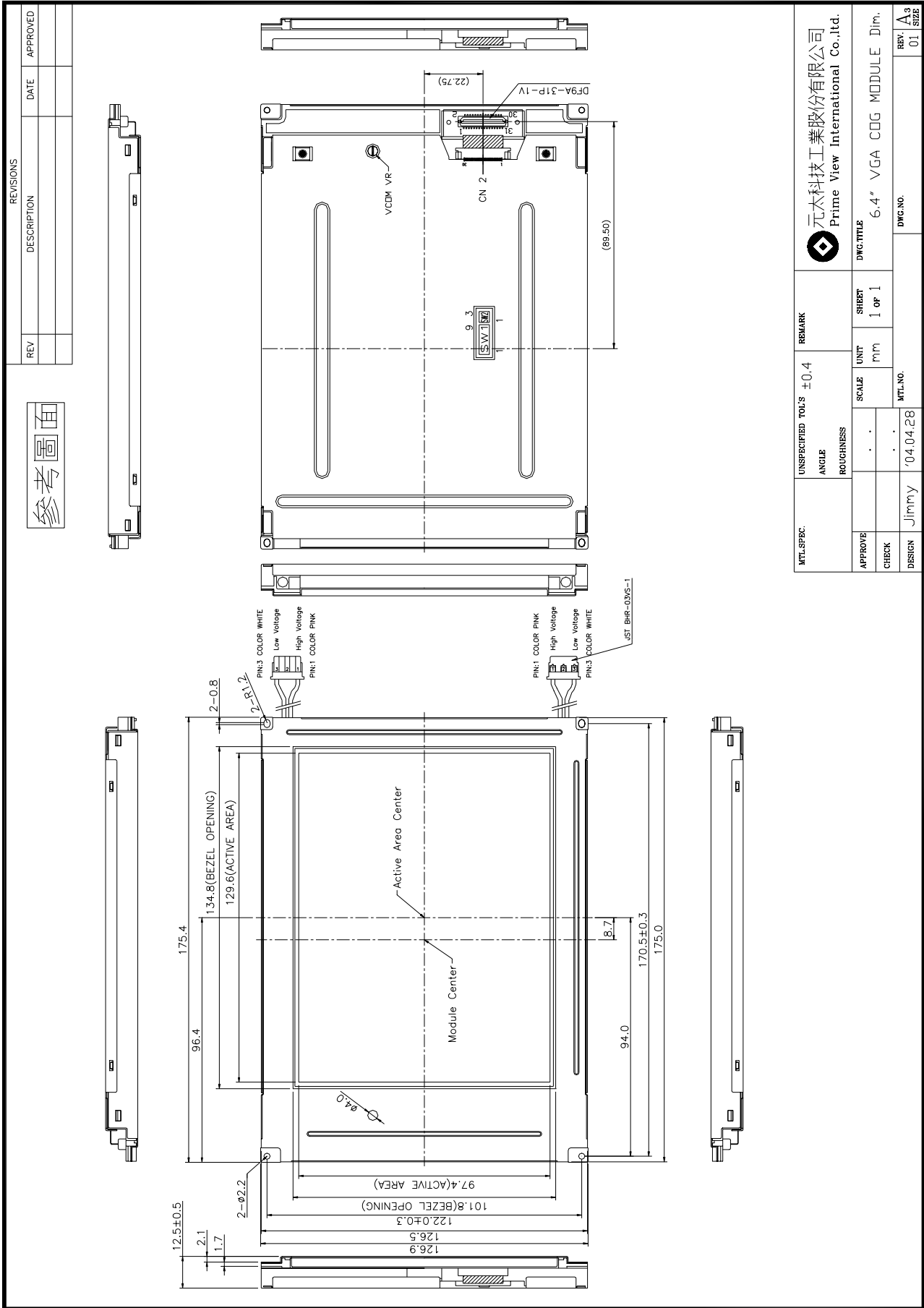
## 2. Features

- . Compatible with VGA-480 , VGA-400 , VGA-350 mode
- . Support the DENB mode
- . Pixel in stripe configuration
- . Slim and compact
- . Display Colors : 262,144 colors
- . Image Reversion : Up/Down and Left/Right
- . Active area / Outline area = 57.02 %
- . Viewing Direction : 6 o'clock
- . Backlight lamps are Replaceable

## 3. Mechanical Specifications

<b>Parameter</b>	<b>Specifications</b>	<b>Unit</b>
Screen Size	6.4 (diagonal)	inch
Display Format	640×R, G, B×480	dot
Active Area	129.6 (H)×97.4 (V)	mm
Dot Pitch	0.0675 (H)×0.203 (V)	mm
Pixel Pitch	0.2025 (H)×0.203 (V)	mm
Pixel Configuration	Stripe	
Outline Dimension	175.4 (W)×126.9 (H)×12.5 (D) (Typ.)	mm
Weight	340±10	g

4. Mechanical Drawing of TFT-LCD Module



## 5. Input / Output Terminals

## 5-1) TFT-LCD Panel Driving

LCD module connector (Reference)

DF9A-31P-1V

Pin No.	Symbol	Function	Remark
1	GND	Ground (0V)	
2	CLK	Clock Signal for Sampling Image Digital Data	
3	Hsync	Horizontal Synchronous Signal	Note 5-1
4	Vsync	Vertical Synchronous Signal	
5	GND	Ground (0V)	
6	R0	Red Image Data Signal (LSB)	
7	R1	Red Image Data Signal	
8	R2	Red Image Data Signal	
9	R3	Red Image Data Signal	
10	R4	Red Image Data Signal	
11	R5	Red Image Data Signal (MSB)	
12	GND	Ground (0V)	
13	G0	Green Image Data Signal (LSB)	
14	G1	Green Image Data Signal	
15	G2	Green Image Data Signal	
16	G3	Green Image Data Signal	
17	G4	Green Image Data Signal	
18	G5	Green Image Data Signal (MSB)	
19	GND	Ground (0V)	
20	B0	Blue Image Data Signal (LSB)	
21	B1	Blue Image Data Signal	
22	B2	Blue Image Data Signal	
23	B3	Blue Image Data Signal	
24	B4	Blue Image Data Signal	
25	B5	Blue Image Data Signal (MSB)	
26	GND	Ground (0V)	
27	DENB	Enable	Note 5-1 Note 5-2
28	VCC	DC +5.0V Power Supply	Note 5-3
29	VCC	DC +5.0V Power Supply	
30	R/L	Horizontal Image Shift-direction Select Signal	Note 5-4
31	U/D	Vertical Image Shift-direction Select Signal	Note 5-5

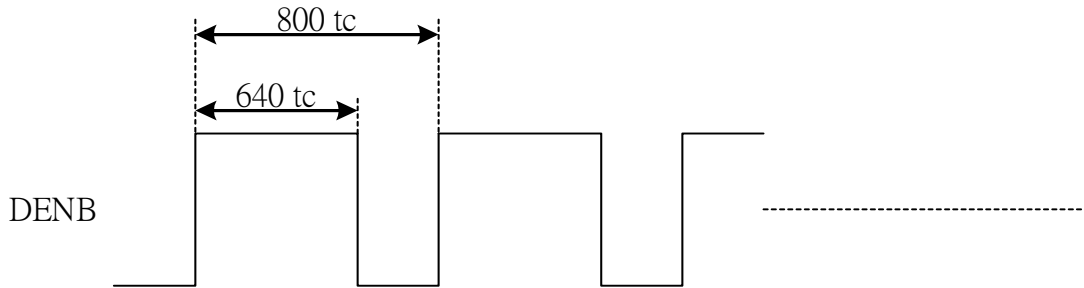
Note 5-1 : The relationship between DENB &amp; SYNC. mode

1. DENB mode with the top priority.
2. When working with the SYNC. mode , the TFT-LCD module is compatible with three kinds of VGA timing . They are VGA-480 , VGA-400 and VGA-350 mode . The polarization of Hsync and Vsync determine the timings.

Mode	DENB	VGA-480	VGA-400	VGA-350
<b>SYNC.</b>				
<b>Hsync Polarization</b>	<b>Don't care</b>	<b>Negative / Positive</b>	<b>Negative</b>	<b>Positive</b>
<b>Vsync Polarization</b>	<b>Don't care</b>	<b>Negative / Positive</b>	<b>Positive</b>	<b>Negative</b>

Note 5-2 : DENB input signal.

If customer wanted to off the DENB mode , you must keep the DENB (pin 27) always High or Low.

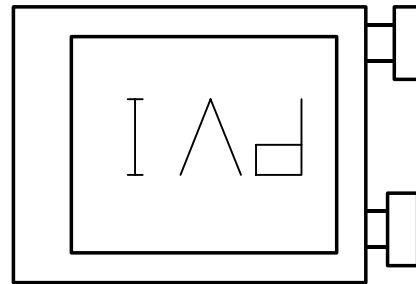
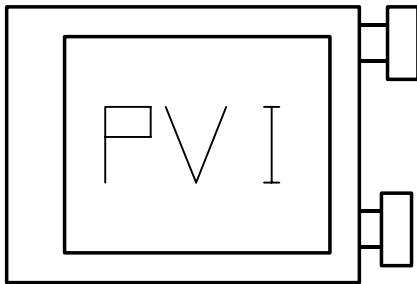


Note 5-3 :  $V_{CC}$  TYP.=+5V

Note 5-4 , 5-5 : The definitions of U/D & R/L

R/L(PIN 30)= High , U/D(PIN 31)= Low

R/L(PIN 30)= Low , U/D(PIN 31)= High



6. Absolute Maximum Ratings :

The followings are maximum values , which if exceeded, may cause faulty operation or damage to the unit.

GND=0V, Ta=25°C

Parameters	Symbol	MIN.	MAX.	Unit	Remark
+5V Supply Voltage	$V_{CC}$	-0.3	+7.0	V	
Input Signals Voltage	$V_{sig}$	-0.3	$V_{CC}+0.3$	V	Note 6-1
Storage Temperature	$T_{stg}$	-30	+70	°C	
Operating Temperature	$T_{opa}$	-20	+70	°C	Note 6-2

Note 6-1 : Input signals include CLK , Hsync , Vsync , DENB , R[0:5] , G[0:5] and B[0:5].

Note 6-2 : Optical characteristics shown in Table 9-1 are measured under Ta=+25°C .

## 7. Electrical Characteristics

## 7-1) Recommended Operating Condition for TFT-LCD panel :

 $GND = 0V, T_a = 25^{\circ}C$ 

Parameters		Symbol	Min.	Typ.	Max.	Unit	Remark
+5V	Supply Voltage	$V_{CC}$	+4.75	+5.0	+5.25	V	
	Supply Input Ripple Voltage	$V_{CCRP}$			0.1	Vp-p	$V_{CC}=+5V$
	Input Signals Voltage (High)	$V_{IH}$	+2.6			V	
	Input Signals Voltage (Low)	$V_{IL}$			+0.5	V	

## 7-2) Recommended Operating Condition for backlight :

 $T_a = 25^{\circ}C$ 

Item	Symbol	Min.	Typ.	Max.	Unit	Remark
Lamp Current	$I_L$	-	6	-	mA	Note 7-1
Lamp Voltage	$V_L$	-	360	-	Vrms	$I_L=6mA$
Lamp frequency	$P_L$	-	40	-	KHz	Note 7-2
Kick-off voltage( $25^{\circ}C$ )	$V_S$	-	970	-	Vrms	Note 7-3
Kick-off voltage( $0^{\circ}C$ )			760			

Note 7-1 : In order to satisfy the quality of B/L , no matter use what kind of inverter , the output lamp current must between Min. and Max. to avoid the abnormal display image caused by B/L.

Note 7-2 : The waveform of lamp driving voltage should be as closed to a perfect sine wave as possible.

Note 7-3 : The Kick-off times  $\geq 1$ sec.

Backlight driving connector : JST BHR-03VS-1 , Pin No. : 3 , Pitch : 4 mm

Pin No	Symbol	Description	Remark
1	VL1	Input terminal (Hi voltage side)	
2	NC	No Connection	
3	VL2	Input terminal (Low voltage side)	Note 7-4

Note 7-4 : Low voltage side of backlight inverter connects with ground of inverter circuits.

## 7-3) Power Consumption

Parameters		Symbol	Typ.	Max.	Unit	Remark
+5V	Current Dissipation	$I_{CC}$	100	120	mA	
	LCD Panel Power Consumption		0.5	0.6	W	Note 7-5
	Backlight Power Consumption		4.32		W	Note 7-6

Note 7-5 : The power consumption of backlight is not included.

Note 7-6 : Backlight lamp power consumption is calculated by  $I_L \times V_L$ .

## 7-4) Input / Output signal timing chart

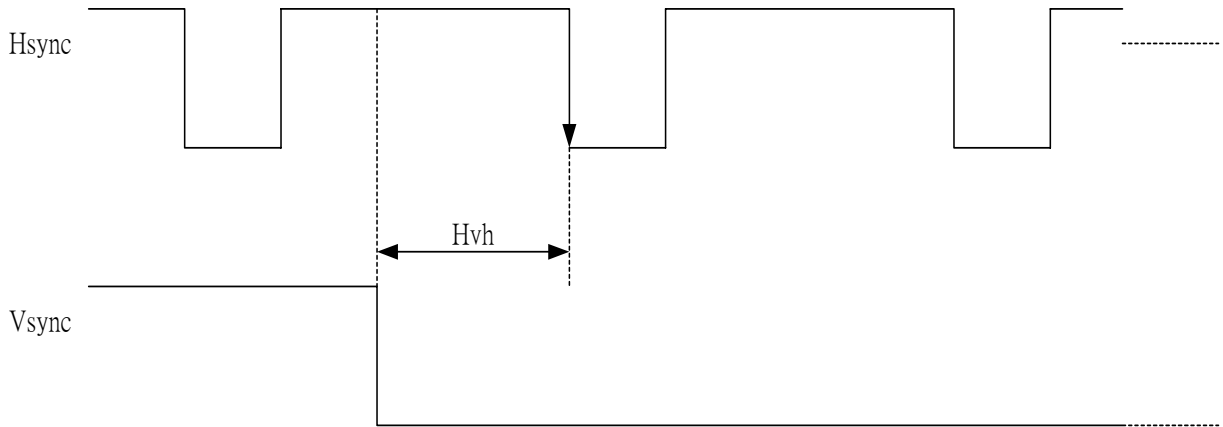
Parameters		Symbol	Format	Min.	Typ.	Max.	Unit	Note	
CLK	Frequency	Fc=1/Tc	All	-	25.175	-	MHz	Note 7-7	
		tc	All	-	40	-	ns		
Hsync	Period	Hp	All	-	31.778	-	us		
				-	800	-	tc		
	Display period	Hd	All	-	640	-	tc		
	Pulse width	Hpw	All	12	96	139	tc		
	Back-porch	Hbp	All	12	48	139	tc		
	Front-porch	Hfp	All	-	16	-	tc		
	Hpw+Hbp			All	136	144	151	tc	
	Hsync-CLK	Hhc	All	10	-	Tc-10	ns		
Vsync-Hsync	Hvh	All	0	0	200	tc			
Vsync	Period	Vp	480	-	16.8	-	ms		
				515	525	800	Hp		
				400	-	14.3	-	ms	
					446	449	480	Hp	
				350	-	14.3	-	ms	
					447	449	510	Hp	
	Display period	Vdp	480	-	480	-	Hp		
				400	-	400		-	
				350	-	350		-	
	Pulse width	Vpw	All	2	2	35	Hp		
	Back-porch	Vbp	480	2	33	35	Hp		
				400	2	35		38	
				350	2	60		63	
	Front-porch	Vfp	480	1	10	-	Hp		
				400	1	12		-	
				350	1	37		-	
Vpw+Vbp			480	31	35	38	Hp		
				400	33	37		40	
				350	58	62		65	
Data	CLK-DATA	Dcd	All	10		-	ns		
	DATA-CLK	Ddc	All	10		-	ns		
DENB	Horizontal scanning period	T1	All	780	800	900	tc		
	Horizontal display period	T2	All	-	640	-	tc		
	Vertical display period	T3	All	-	480	-	T1		
	Frame cycling period	T4	All	515	525	800	T1		

Note 7-7 : Tc is the period of sampling clock. In case of low-frequency , the image-flicker may occur.

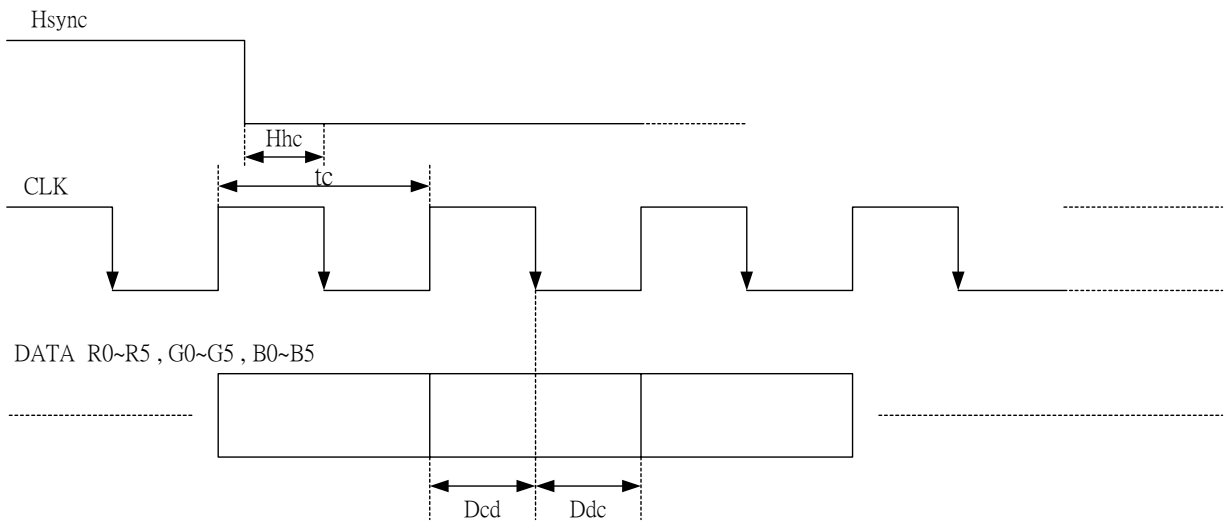


7-5) Display Time Range

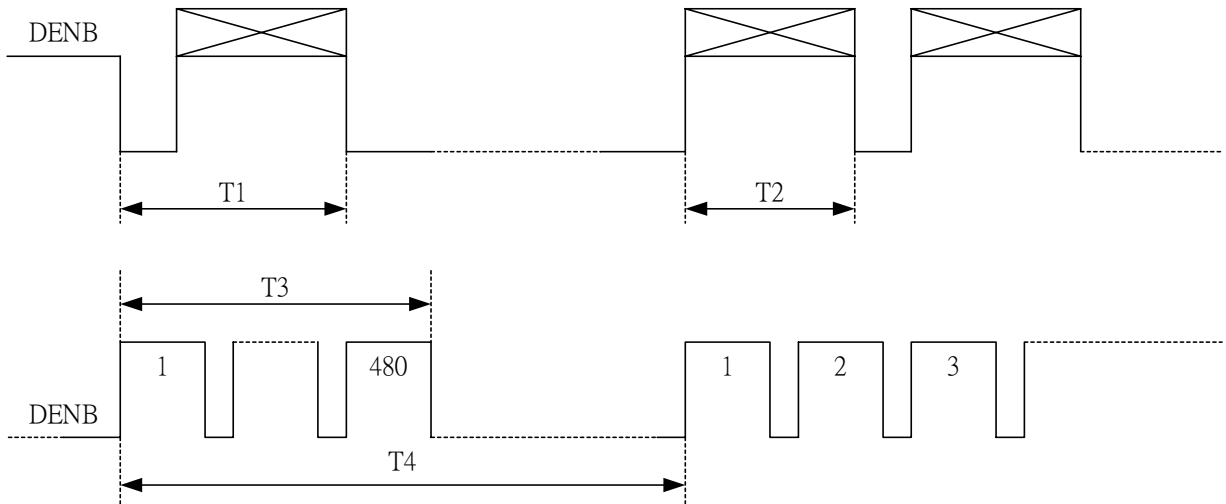
(1) Vertical Timing :



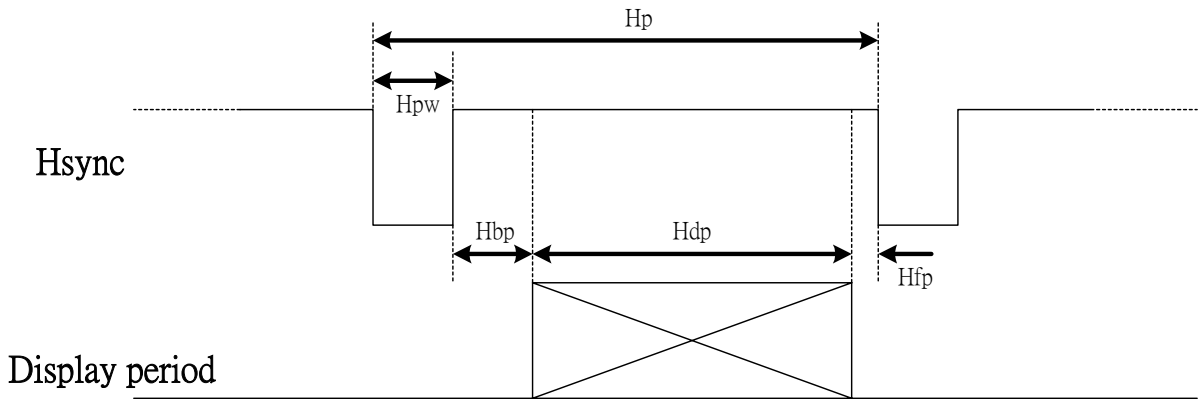
(2) Horizontal Timing :



(3) DENB Timing :



(4) Detail of Horizontal Timing :



(a) VGA-480 Mode (Hsync = Positive / Negative Polarization)

Item	Description	Clock Cycles	Time
A	Horizontal Width	96	3.813 $\mu s$
B	Horizontal B-Porch	48	1.907 $\mu s$
C	Horizontal Display	640	25.422 $\mu s$
D	Horizontal F-Porch	16	0.636 $\mu s$
E	Horizontal Total	800	31.778 $\mu s$

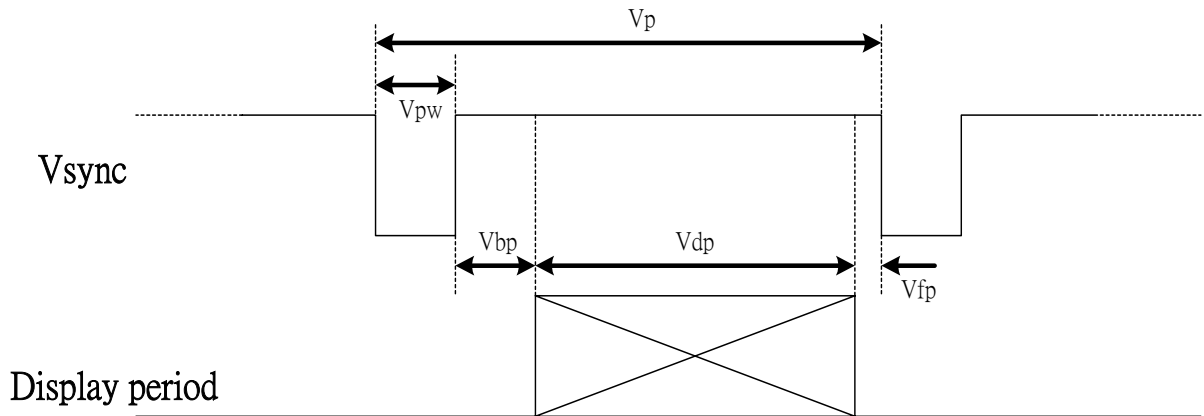
(b) VGA-400 Mode (Hsync = Negative Polarization)

Item	Description	Clock Cycles	Time
A	Horizontal Width	96	3.813 $\mu s$
B	Horizontal B-Porch	48	1.907 $\mu s$
C	Horizontal Display	640	25.422 $\mu s$
D	Horizontal F-Porch	16	0.636 $\mu s$
E	Horizontal Total	800	31.778 $\mu s$

(c) VGA-350 Mode (Hsync = Positive Polarization)

Item	Description	Clock Cycles	Time
A	Horizontal Width	96	3.813 $\mu s$
B	Horizontal B-Porch	48	1.907 $\mu s$
C	Horizontal Display	640	25.422 $\mu s$
D	Horizontal F-Porch	16	0.636 $\mu s$
E	Horizontal Total	800	31.778 $\mu s$

(5) Detail of Vertical Timing :



(a) VGA-480 Mode (Vsync = Positive / Negative Polarization)

Item	Description	Horizontal Lines	Time
A	Vertical Width	2	63.5 $\mu s$
B	Vertical B-Porch	33	1.049 ms
C	Vertical Display	480	15.253 ms
D	Vertical F-Porch	10	317.8 $\mu s$
E	Vertical Total	525	16.683 ms

(b) VGA-400 Mode (Vsync = Positive Polarization)

Item	Description	Horizontal Lines	Time
A	Vertical Width	2	63.5 $\mu s$
B	Vertical B-Porch	35	1.112 ms
C	Vertical Display	400	12.711 ms
D	Vertical F-Porch	12	381.0 $\mu s$
E	Vertical Total	449	14.268 ms

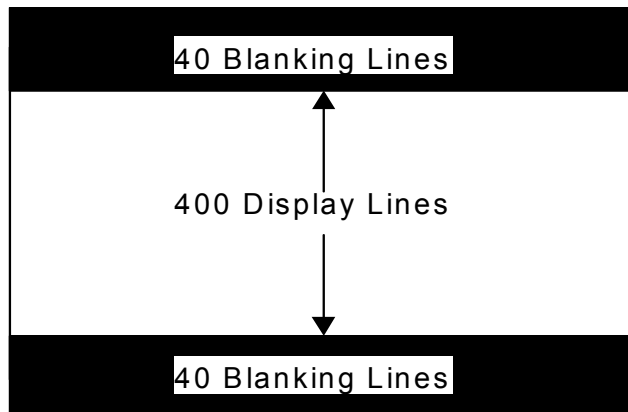
(c) VGA-350 Mode (Vsync = Negative Polarization)

Item	Description	Horizontal Lines	Time
A	Vertical Width	2	63.5 $\mu s$
B	Vertical B-Porch	60	1.907 ms
C	Vertical Display	350	11.122 ms
D	Vertical F-Porch	37	1.176 $\mu s$
E	Vertical Total	449	14.268 ms

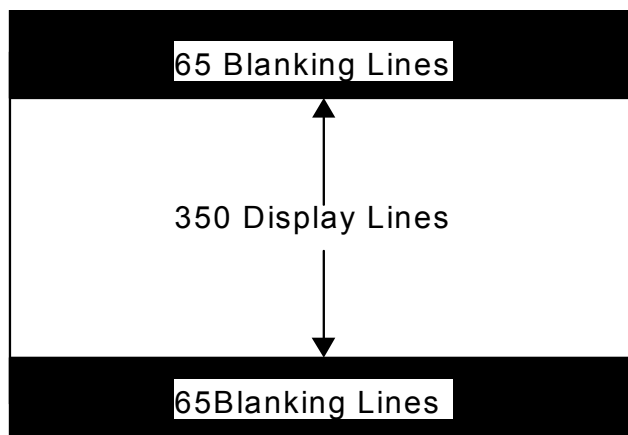
7-6) Vertical Display Position

Mode	Hsync	Vsync	V-Start Position	V-Display	Remark
VGA-480	Positive / Negative	Positive / Negative	34	480 lines	
VGA-400	Negative	Positive	17	400 lines	Note 7-8
VGA-350	Positive	Negative	30	350 lines	Note 7-9

Note 7-8 : As the format is VGA-400 (Hsync = Negative , Vsync = Positive) , LCD module will adjust the display area to the center of display . At this time , both of the upper and lower display areas have 40 blanking lines (the display color is black) . The actual display area is center 400 lines .



Note 7-9 : As the format is VGA-350 (Hsync = Positive, Vsync = Negative) , LCD module will adjust the display area to the center of display . At this time , both of the upper and lower display areas have 65 blanking lines (the display color is black) . The actual display area is center 350 lines .



7-7) Display Color and Gray Scale Reference

Color		Input Color Data																	
		Red						Green						Blue					
		R5	R4	R3	R2	R1	R0	G5	G4	G3	G2	G1	G0	B5	B4	B3	B2	B1	B0
Basic Colors	Black	0	0	0	0	0	0	0	0	0	0	0	0	0	0	0	0	0	0
	Red (63)	1	1	1	1	1	1	0	0	0	0	0	0	0	0	0	0	0	0
	Green (63)	0	0	0	0	0	0	1	1	1	1	1	1	0	0	0	0	0	0
	Blue (63)	0	0	0	0	0	0	0	0	0	0	0	0	1	1	1	1	1	1
	Cyan	0	0	0	0	0	0	1	1	1	1	1	1	1	1	1	1	1	1
	Magenta	1	1	1	1	1	1	0	0	0	0	0	0	1	1	1	1	1	1
	Yellow	1	1	1	1	1	1	1	1	1	1	1	1	0	0	0	0	0	0
	White	1	1	1	1	1	1	1	1	1	1	1	1	1	1	1	1	1	1
Red	Red (00)	0	0	0	0	0	0	0	0	0	0	0	0	0	0	0	0	0	0
	Red (01)	0	0	0	0	0	1	0	0	0	0	0	0	0	0	0	0	0	0
	Red (02)	0	0	0	0	1	0	0	0	0	0	0	0	0	0	0	0	0	0
	Darker																		
	↓	↓	↓	↓	↓	↓	↓	↓	↓	↓	↓	↓	↓	↓	↓	↓	↓	↓	↓
	Brighter																		
	Red (61)	1	1	1	1	0	1	0	0	0	0	0	0	0	0	0	0	0	0
	Red (62)	1	1	1	1	1	0	0	0	0	0	0	0	0	0	0	0	0	0
Red (63)	1	1	1	1	1	1	0	0	0	0	0	0	0	0	0	0	0	0	
Green	Green (00)	0	0	0	0	0	0	0	0	0	0	0	0	0	0	0	0	0	0
	Green (01)	0	0	0	0	0	0	0	0	0	0	0	1	0	0	0	0	0	0
	Green (02)	0	0	0	0	0	0	0	0	0	0	1	0	0	0	0	0	0	0
	Darker																		
	↓	↓	↓	↓	↓	↓	↓	↓	↓	↓	↓	↓	↓	↓	↓	↓	↓	↓	↓
	Brighter																		
	Green (61)	0	0	0	0	0	0	1	1	1	1	0	1	0	0	0	0	0	0
	Green (62)	0	0	0	0	0	0	1	1	1	1	1	0	0	0	0	0	0	0
Green (63)	0	0	0	0	0	0	1	1	1	1	1	1	0	0	0	0	0	0	
Blue	Blue (00)	0	0	0	0	0	0	0	0	0	0	0	0	0	0	0	0	0	0
	Blue (01)	0	0	0	0	0	0	0	0	0	0	0	0	0	0	0	0	0	1
	Blue (02)	0	0	0	0	0	0	0	0	0	0	0	0	0	0	0	0	1	0
	Darker																		
	↓	↓	↓	↓	↓	↓	↓	↓	↓	↓	↓	↓	↓	↓	↓	↓	↓	↓	↓
	Brighter																		
	Blue (61)	0	0	0	0	0	0	0	0	0	0	0	0	1	1	1	1	0	1
	Blue (62)	0	0	0	0	0	0	0	0	0	0	0	0	1	1	1	1	1	0
Blue (63)	0	0	0	0	0	0	0	0	0	0	0	0	1	1	1	1	1	1	

---

7-8) Control Board Dip Switch Format

## SW1

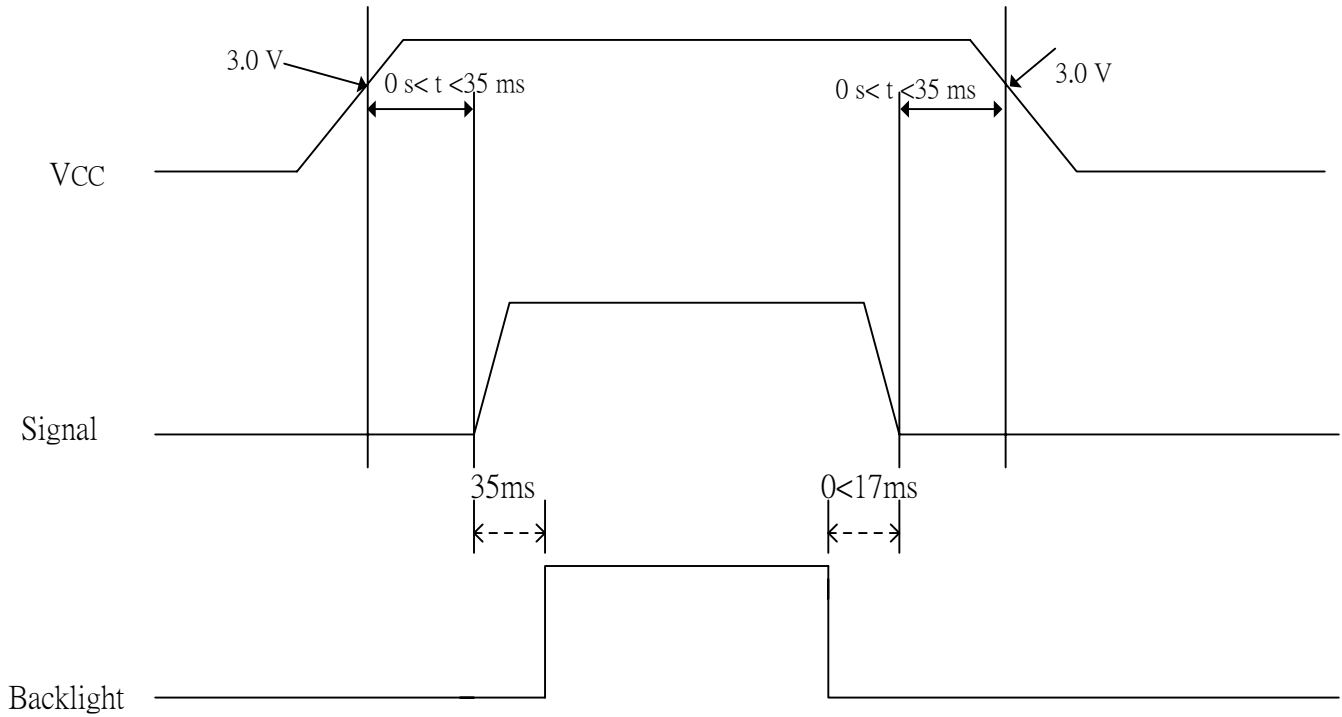
<b>Item</b>	<b>Symbol</b>	<b>Condition</b>	<b>Remark</b>
SW 1-1	-	No connection	Default (OFF)
SW 1-2	HP3	Horizontal Shift (8 Line)	Default (ON)
SW 1-3	HP2	Horizontal Shift (4 Line)	Default (OFF)
SW 1-4	HP1	Horizontal Shift (2 Line)	Default (OFF)
SW 1-5	HP0	Horizontal Shift (1 Line)	Default (ON)
SW 1-6	VP2	Vertical Shift (4 Line)	Default (OFF)
SW 1-7	VP1	Vertical Shift (2 Line)	Default (ON)
SW 1-8	VP0	Vertical Shift (1Line)	Default (ON)

1. The default state is base on SYNC. mode (VGA-480)
2. Total horizontal shift line are 15 lines (HP0~HP3 on)  
Total vertical shift line are 7 lines (VP0~VP2 on)

## SW2

<b>Item</b>	<b>Symbol</b>	<b>Condition</b>	<b>Remark</b>
SW 2-1	UD	Vertical Image Shift-direction Select	Default (ON)
SW 2-2	RL	Horizontal Image Shift-direction Select	Default (ON)

8. Power On Sequence



1. The supply voltage for input signals should be same as  $V_{CC}$ .
2. When the power is off , please keep whole signals (Hsync, Vsync, CLK, Data) low level or high impedance

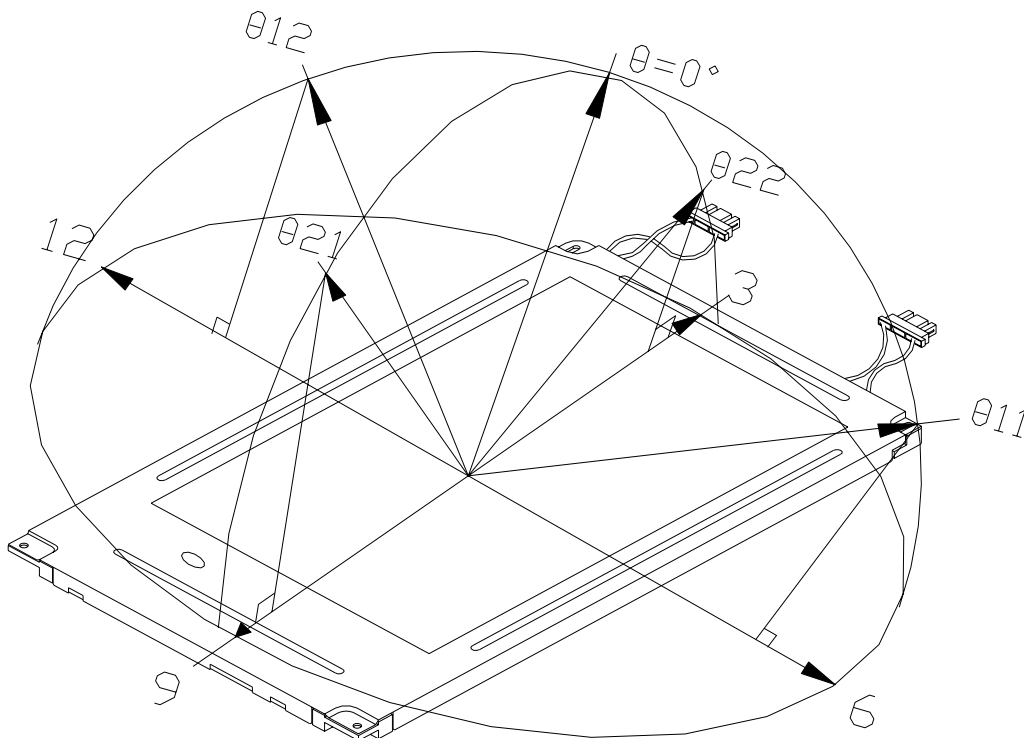
9. Optical Characteristics

9-1) Specification :

Ta=25°C

Parameter		Symbol	Condition	MIN.	TYP.	MAX.	Unit	Remarks
Viewing Angle	Horizontal	$\theta 21, \theta 22$	CR > 10	$\pm 45$	$\pm 60$	-	deg	Note 9-1
	Vertical	$\theta 12$		10	40	-	deg	
		$\theta 11$		30	55	-	deg	
Contrast Ratio		CR	At optimized Viewing angle	200	400	-	-	Note 9-2
Response time	Rise	Tr	$\theta = 0^\circ$	-	15	30	ms	Note 9-4
	Fall	Tf		-	25	50	ms	
Brightness			$\theta = 0^\circ$	350	400	-	cd/m <sup>2</sup>	Note 9-3
Uniformity		U		75	80	-	%	Note 9-5
Cross Talk			$\theta = 0^\circ$	-	-	3	%	Note 9-6
White Chromaticity		x	$\theta = 0^\circ$	0.264	0.294	0.324	-	Note 9-3
		y		0.278	0.308	0.338	-	
Lamp Life Time				-	20,000	-	hr	

Note 9-1 : The definitions of viewing angle diagrams :





Note 9-2 : CR =  $\frac{\text{Luminance when LCD is White}}{\text{Luminance when LCD is Black}}$

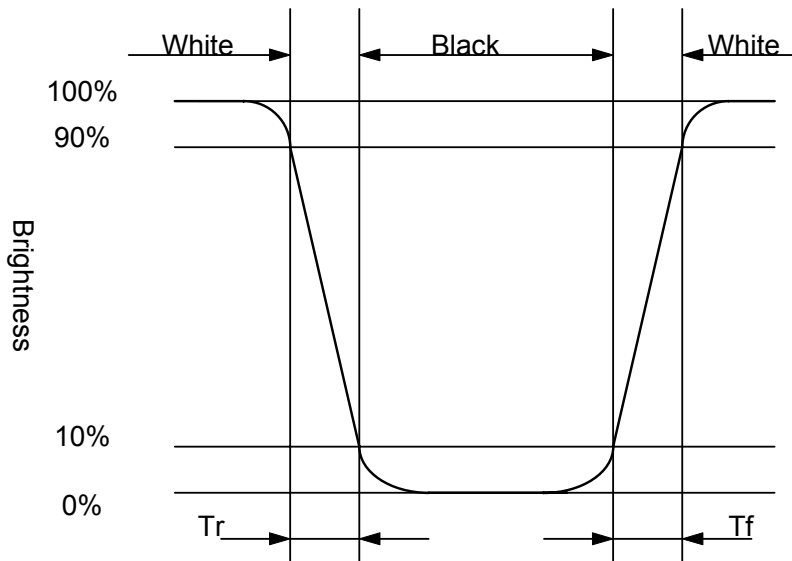
Contrast Ratio is measured in optimum common electrode voltage.

Note 9-3 : 1. Topcon BM-7 (fast) luminance meter 2° field of view is used in the testing (after 20~30 minutes operation).

2.Lamp current : 6 mA

3.Inverter model : TDK-347.

Note 9-4 : The definitions of response time



Note 9-5 : The uniformity of LCD is defined as

$$U = \frac{\text{The Minimum Brightness of the 9 testing Points}}{\text{The Maximum Brightness of the 9 testing Points}}$$

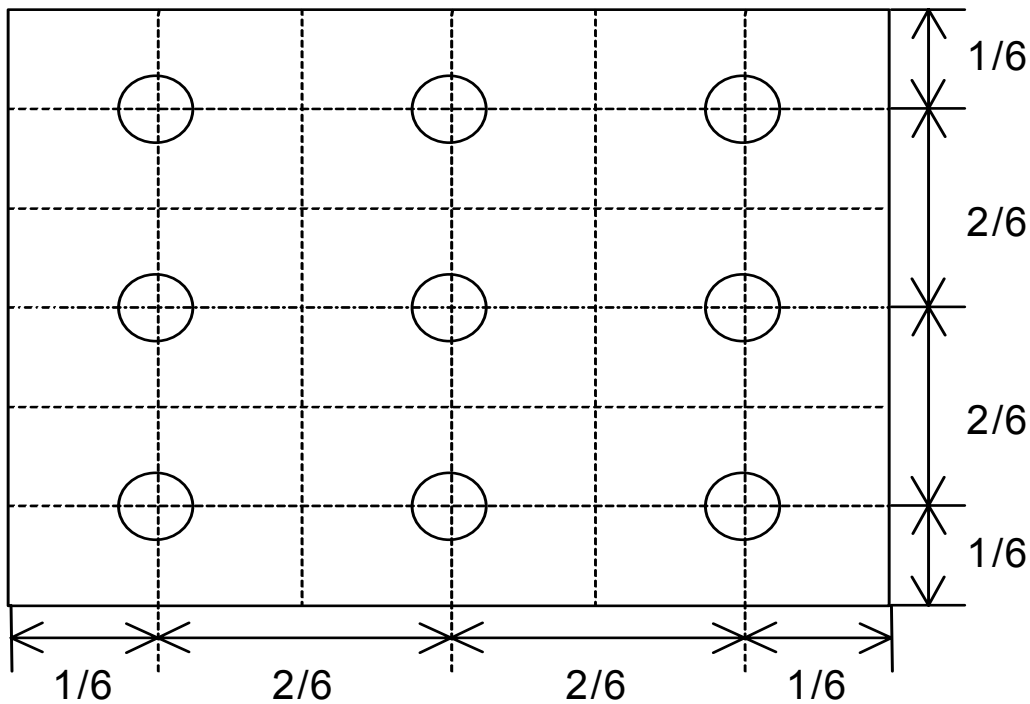
Luminance meter : BM-5A or BM-7 fast (TOPCON)

Measurement distance : 500 mm +/- 50 mm

Ambient illumination : < 1 Lux

Measuring direction : Perpendicular to the surface of module

The test pattern is white (Gray Level 63).

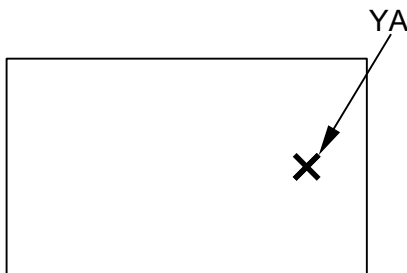


Note 9-6 : Cross Talk (CTK) =  $\frac{|Y_A - Y_B|}{Y_A} \times 100\%$

Y<sub>A</sub> : Brightness of Pattern A

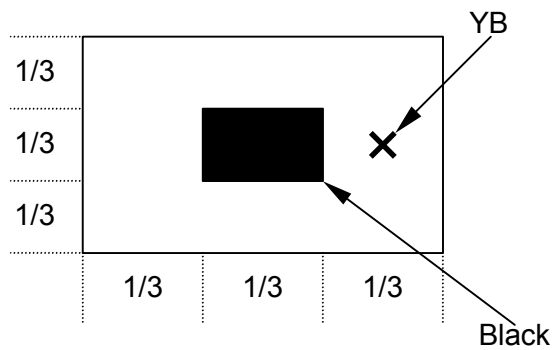
Y<sub>B</sub> : Brightness of Pattern B  
Pattern A

(Gray Level 31)



Pattern B

(Gray Level 31, central black box exclusive)



**X**: Testing Point (A and B are at the same point.)

(Gray Level 0)

---

## 10. Handling Cautions

### 10-1) Mounting of module

- a) Please power off the module when you connect the input/output connector.
- b) Please connect the ground pattern of the inverter circuit surely. If the connection is not perfect, some following problems may happen possibly.
  - 1. The noise from the backlight unit will increase.
  - 2. The output from inverter circuit will be unstable.
  - 3. In some cases a part of module will heat.
- c) Polarizer which is made of soft material and susceptible to flaw must be handled carefully.
- d) Protective film (Laminator) is applied on surface to protect it against scratches and dirt. It is recommended to peel off the laminator before use and taking care of static electricity.

### 10-2) Precautions in mounting

- a) When metal part of the TFT-LCD module (shielding lid and rear case) is soiled, wipe it with soft dry cloth.
- b) Wipe off water drops or finger grease immediately. Long contact with water may cause discoloration or spots.
- c) TFT-LCD module uses glass which breaks or cracks easily if dropped or bumped on hard surface. Please handle with care.
- d) Since CMOS LSI is used in the module. So take care of static electricity and earth yourself when handling.

### 10-3) Adjusting module

- a) Adjusting volumes on the rear face of the module have been set optimally before shipment.
- b) Therefore, do not change any adjusted values. If adjusted values are changed, the specifications described may not be satisfied.

### 10-4) Others

- a) Do not expose the module to direct sunlight or intensive ultraviolet rays for many hours.
- b) Store the module at a room temperature place.
- c) The voltage of beginning electric discharge may over the normal voltage because of leakage current from approach conductor by to draw lump read lead line around.
- d) If LCD panel breaks, it is possibly that the liquid crystal escapes from the panel. Avoid putting it into eyes or mouth. When liquid crystal sticks on hands, clothes or feet. Wash it out immediately with soap.
- e) Observe all other precautionary requirements in handling general electronic components.
- f) Please adjust the voltage of common electrode as material of attachment by 1 module.

11. Reliability Test

No	Test Item	Test Condition
1	Low Temperature Storage Test	Ta = -30 °C, 240 hrs
2	High Temperature Operation Test	Ta = +70 °C, 240 hrs
3	Low Temperature Operation Test	Ta = -20 °C, 240 hrs
4	High Temperature & High Humidity Operation Test	Ta = +60 °C, 90%RH, 240 hrs
5	Thermal Cycling Test (non-operating)	-25°C → +70°C, 200 Cycles 30 min 30 min
6	Vibration Test (non-operating)	Frequency : 10 ~ 57 Hz/Vibration Width :0.075mm 58-500 H// Gravity :9.8m/s Sweep time: 11 minutes Test period: 3 hrs for each direction of X, Y, Z
7	Shock Test (non-operating)	Gravity :490m/s Direction: ±X, ±Y, ±Z Pulse Width :11ms, half sine wave
8	Electrostatic Discharge Test (non-operating)	150pF, 330Ω <sub>2</sub> Air : ±15KV ; Contact : ±8KV 10 times/point , 9 points/panel face

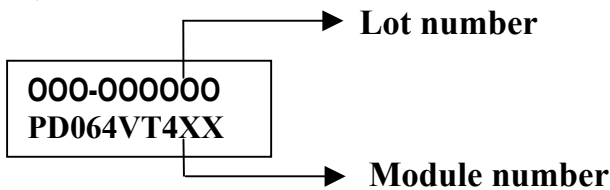
Ta: ambient temperature

[Judgement Criteria]

Under the display quality test conditions with normal operation state , there should be no change which may affect practical display function.

12. Indication of Lot Number Label

a) Indicated contents of the label



Contents of lot number : 1st~3rd—The OEM product

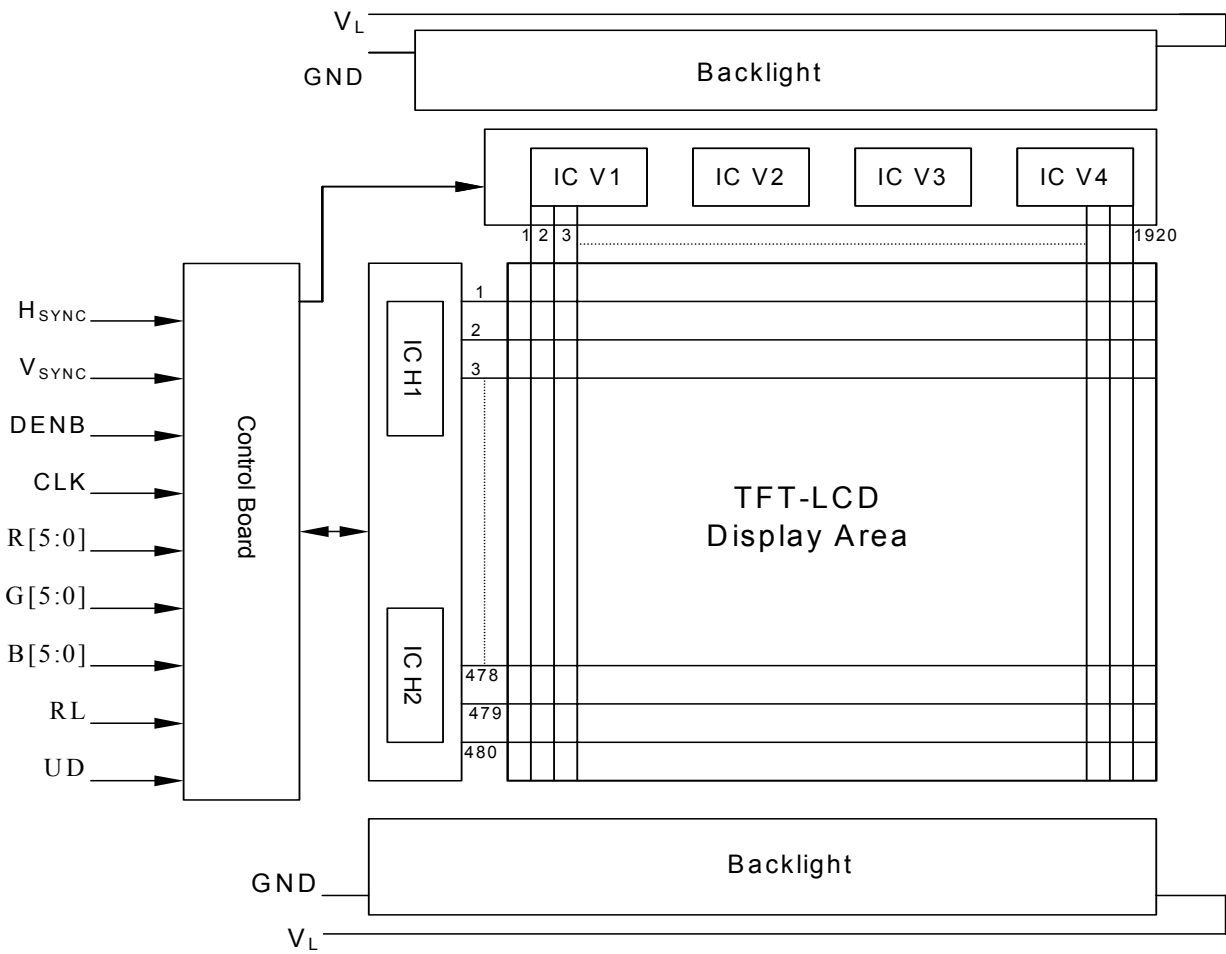
5th—Production year : 1999⇒9, 2000⇒A, 2001⇒B.....

6th—Production month : 1, 2, 3,...9, A, B, C

7th~8th—Production size : 6.4”⇒64

9th~10th—Serial numbers : 01~99

13. Block Diagram



14. Packing

ZONE	REV.	DOCUMENT NO.	DESCRIPTION	DATE	REV.BY
MTL.SPEC.		UNSPECIFIED TOL'S		REMARK	
		ANGLE			
		ROUGHNESS			
APPROVE		SCALE	UNIT	SHEET	DWG.TITLE
CHECK				1 OF 1	6.4"VGA Module Packing Draw
DRAWN	Jimmy	MTL.NO.		DWG FILE:	REV. 01
					A <sub>4</sub> SIZE

ITEM	PART NO.	DESCRIPTION	QTY	REMARK
4	50-0100111	CARTON	1	
3	50-0500131	防靜電氣泡袋 Pink	20	抗靜電
2		6.4" VGA Module	20	加下鐵蓋
1	50-0301041	瓦楞隔板緩衝材	1	上蓋+底座

---

### Revision History

Rev.	Issued Date	Revised Contents
1.0	May 12 , 2004	NEW
1.1	Nov. 01 , 2004	Modify Page 7 : 7-2) Recommended Operating Condition for backlight Kick-off voltage(25°C) from 790 to 970 Add : Kick-off voltage(0°C) Page 22 : Packing drawing