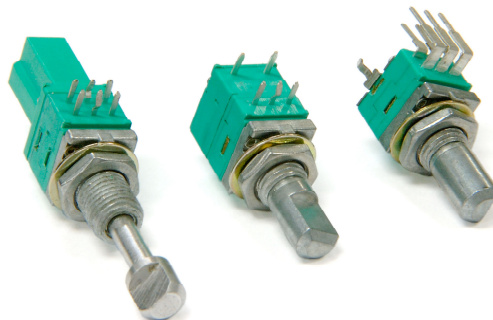


**Model P09x**  
**9mm Rotary Potentiometer**  
**Multi – Ganged**  
**Conductive Plastic Element**  
**100,000 Cycle Life**  
**Metal shaft / Bushing**  
**Switch / Push-Lock Option**  
**RoHS Compliant**



**MODEL STYLES**

Side Adjust, PCB pins, up to 8 gangs	P09xN
Side Adjust, PCB pins, up to 8 gangs, with Switch	P09xS
Top Adjust, PCB pins, up to 2 gangs	P09x5N
Side Adjust, PCB pins, with Push-Lock, up to 2 gangs	P09xP

**ELECTRICAL<sup>1</sup>**

Resistance Range, Ohms	1K-500K
Standard Resistance Tolerance	± 20%
Residual Resistance	20 ohms max.
Input Voltage, maximum	50 Vac max.
Power rating, Watts	Taper B: 0.05W Other Tapers: .025W
Dielectric Strength	300Vac, 1 minute
Insulation Resistance, Minimum	100M ohms at 250Vdc
Sliding Noise	100mV max.
Gang Error ( Multi-ganged )	-40dB – 0dB, ±3dB
Actual Electrical Travel, Nominal	270°
Switch Contact Resistance	< 100 milliohms
Switch Power Rated	3.0A at 16Vdc

**MECHANICAL**

Total Mechanical Travel	300°± 10°
Static Stop Strength	50 oz-in
Rotational Torque, Maximum	2.5 oz-in
Switch Rotational Angle, Maximum	50°

<sup>1</sup> Specifications subject to change without notice.

# Model P09x

## ENVIRONMENTAL

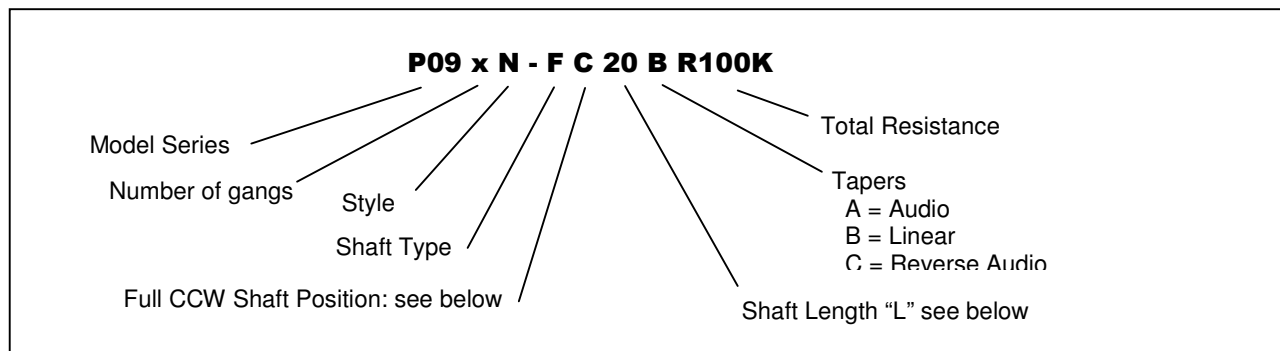
Operating Temperature Range

-10°C to +70°C

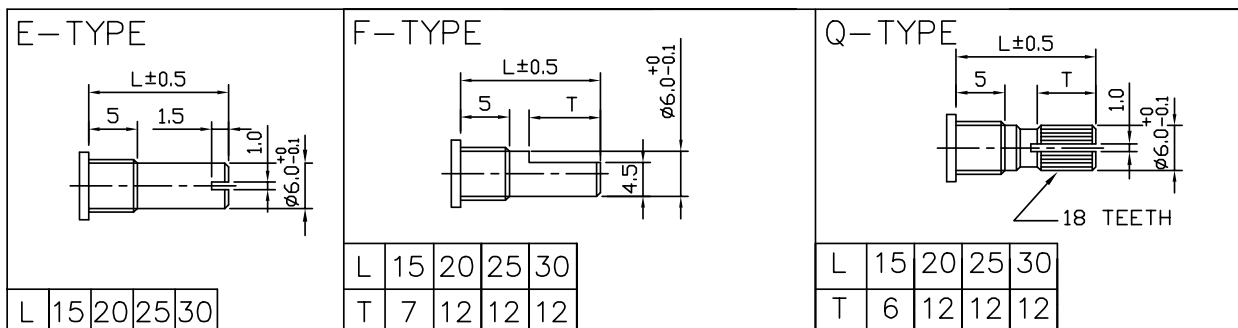
Rotational Life

100,000 cycles

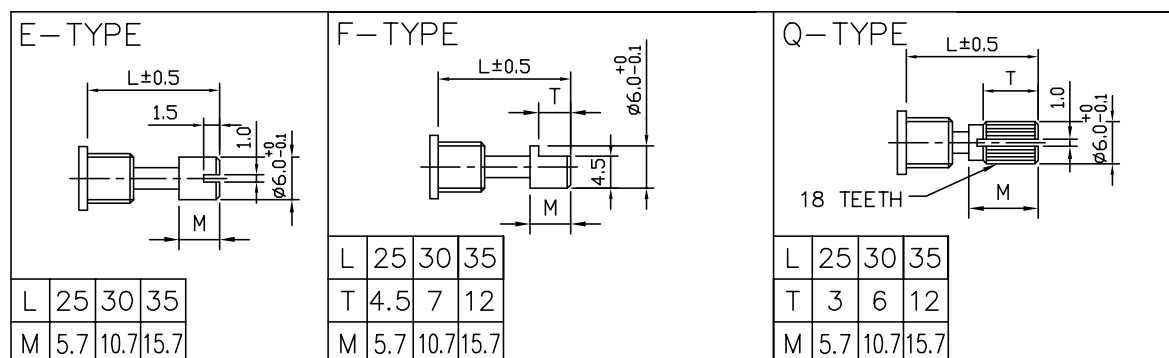
## ORDERING INFORMATION<sup>2</sup>



### Shaft Types (P09xN, P09xS, P09x5N)



### Shaft Types for Push-Lock (P09xP)

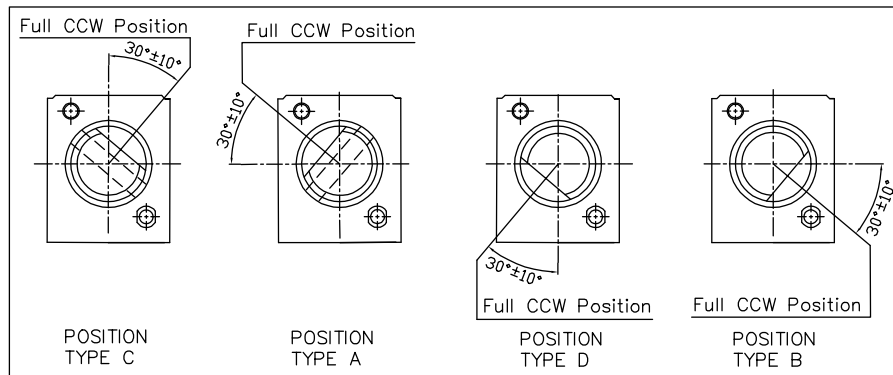


<sup>2</sup> Contact our customer service for custom designs and features.

# Model P09x

## Shaft Position (F-Type Shaft)

Dashed lines on Type "C" and Type "A" shows position of adjustment slot for E-Type and Q-Type shafts

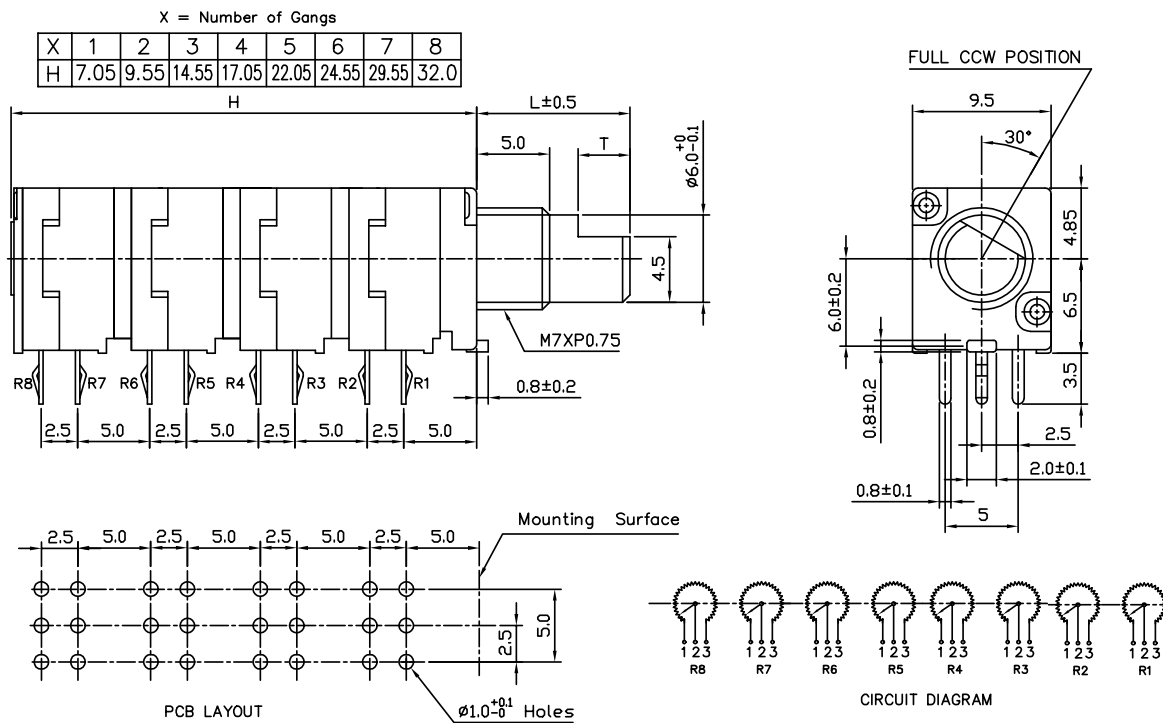


## STANDARD RESISTANCE VALUES, OHMS

1K    2K    5K    10K    20K    50K    100K    200K    500K

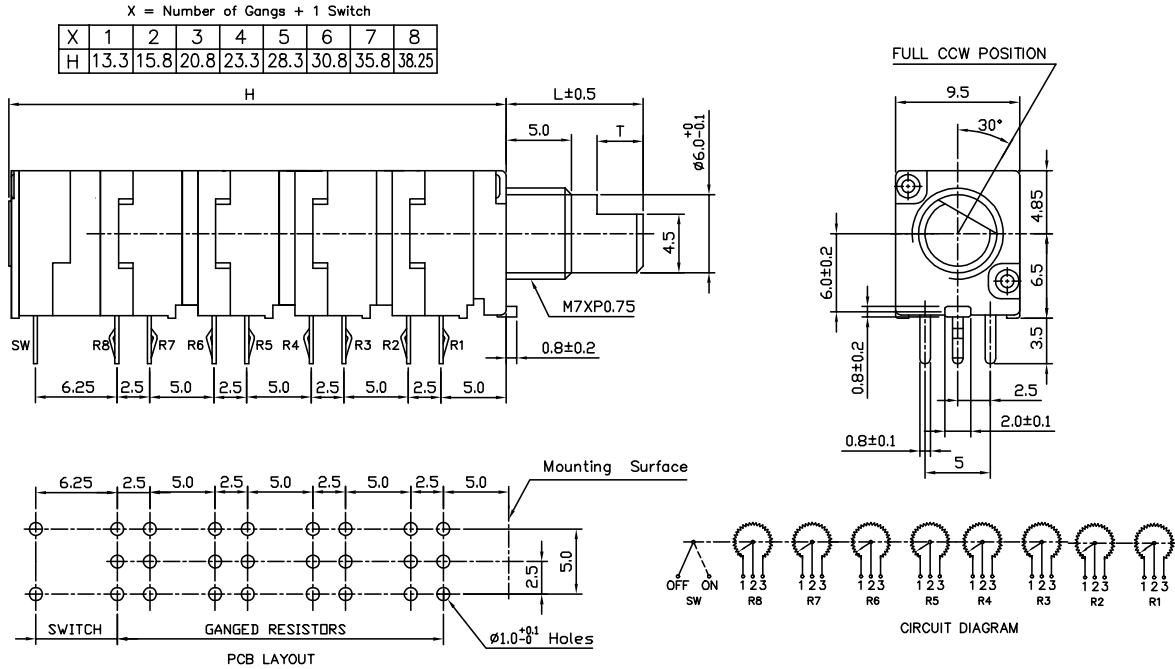
## OUTLINE DRAWING

### Model P09xN (Side Adjust, PCB pins, up to 8 gangs)

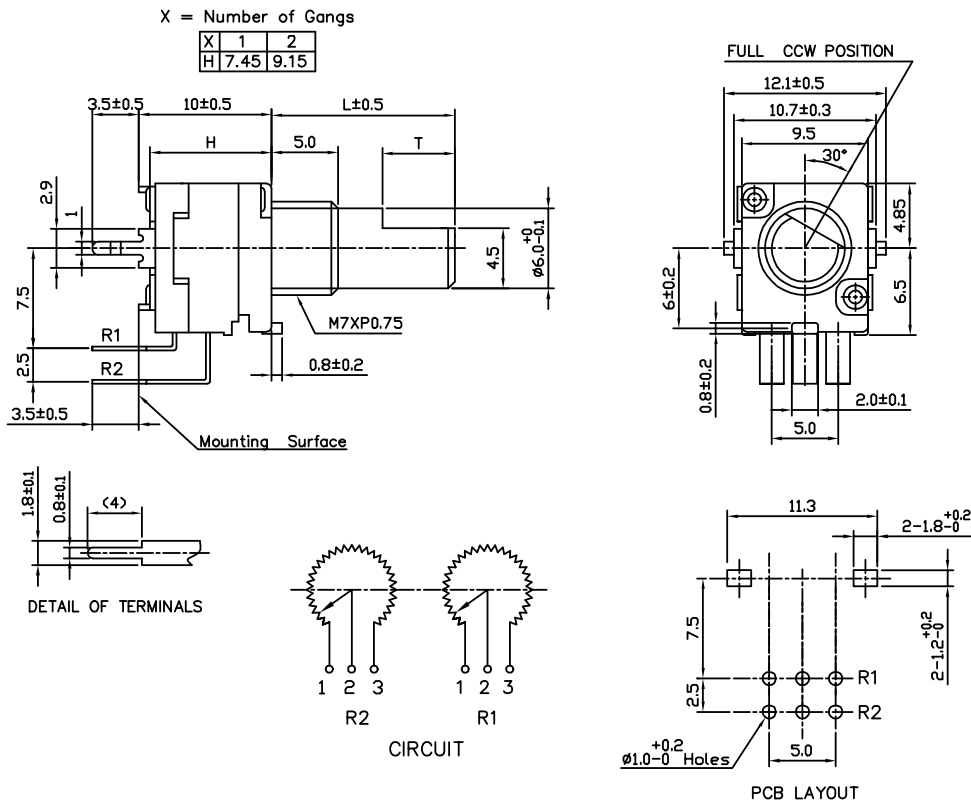


# Model P09x

Model P09xS (Side Adjust, PCB pins, up to 8 gangs, with Switch)



# Model P09x5N (Top Adjust, PCB pins, up to 2 gangs)



# Model P09x

Model P09xP (Side Adjust, PCB pins, with Push-Lock, up to 2 gangs)

X = Number of Gangs

X	1	2
H	20.75	23.25

