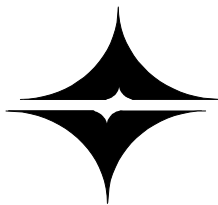


DATE : 1998. 07. 06.

SPECIFICATION

PRODUCT : LED DISPLAY

MODEL : ODS - H4056A1DVM2



OPTO ELECTRONICS CO., LTD.

1066-12 YOUNJANG-RI, JINAN-UP, JINAN-GUN

JEON-BUK, KOREA.

TEL : 82-63-433-4566~8

FAX : 82-63-433-4569

<http://www.e-oec.com>

OPTO ELECTRONICS CO., LTD. (株) 元 光 電 子	T I T L E L E D D I S P L A Y ODS - H4056A1DVM2	문 서 번 호	OQSS-SD-102
		개 정 번 호	IR
		개 정 일 자	1998년 07월 06일
		P A G E	1 / 1

1. GENERAL DESCRIPTION

The ODS-H4056 series of four digits consisted seven segments are designed to be used even in bright location.

The character height is 0.56 inch (approximatly 14.2mm) and a choice of four emitting colors (RED, GREEN, ORANGE, YELLOW) and two configurations (common ANODE, common CATHODE) are possible.

2. FEATURES

- High speed response
- High illumination sensitivity
- Suitable for pulse operation
- Low power consumption
- Long operation life time

3. ABSOLUTE MAXIMUM RATINGS.

(Ta=25℃)

Parameter	Symbol	Rating	Unit
Power Dissipation	P _D	1,836	mW
Power Dissipation	P _D /seg	54	mW
Forward Current	I _F	20	mA
Peak Forward Current	I _{FP} *1	60	mA
Reverse Voltage	V _R /seg	5	V
Operating Temperature	T _{opr}	-25 ~ +70	℃
Storage Temperature	T _{stg}	-30 ~ +80	℃
Soldering Temperature	T _{sol}	260℃ within 5 seconds	

4. ELECTRO - OPTICAL CHARACTERISTICS

(Ta=25℃)

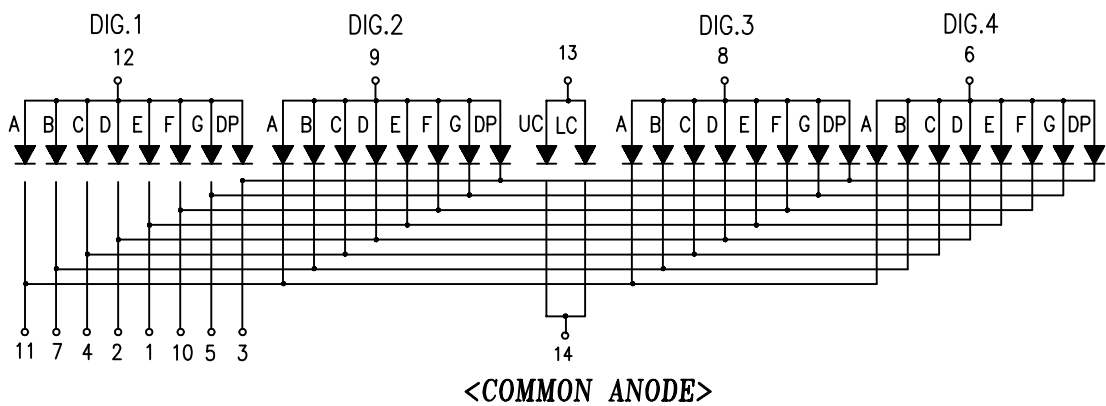
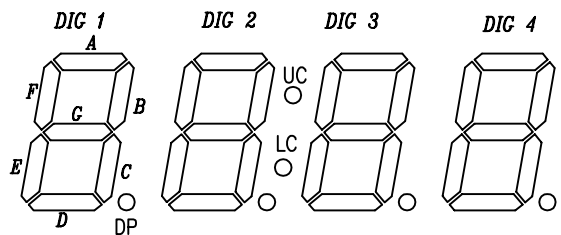
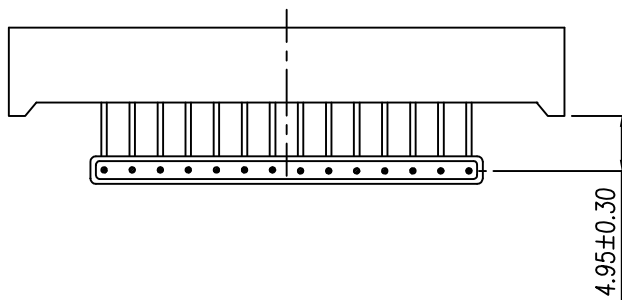
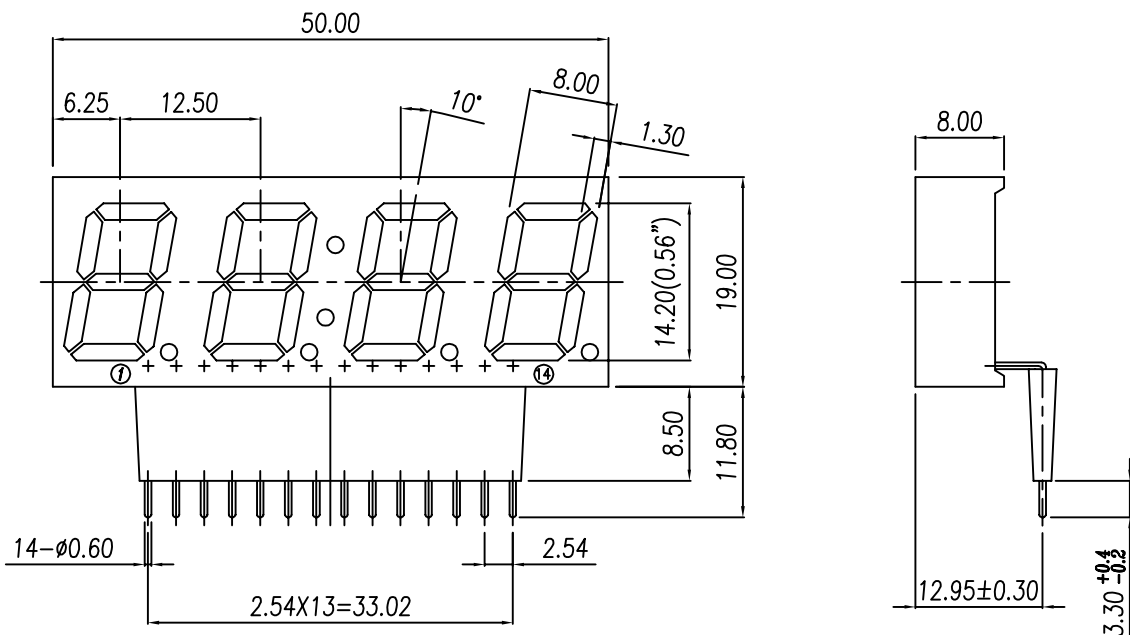
Parameter	Symbol	Condition	Min	Typ	Max	Unit
Forward Voltage	V _F	I _F =20mA	-	2.15	2.7	V
Luminous Intensity	I _V *2	I _F =20mA	6.5	-	-	mcd
Peak Emission Wavelength	λ _p	I _F =20mA	-	565	-	nm
Spectrum Radiation Bandwidth	Δλ	I _F =20mA	-	30	-	nm
Reverse Current	I _R	V _R =5V	-		100	μA

NOTE

*1 Pulse Width=1ms, Duty Ratio=¼

*2. Measurement of Brightness (at SHARP CORPORATION)

- Measuring equipment : MICROCANDELA MOLEL III made by Photoresearch.



DATE	1999. 06. 07	UNLESS OTHERWISE SPECIFIED DIMENSIONS ARE IN MILLIMETERS AND TOLERANCES ARE AS FOLLOWS:	 ANGULAR TOLERANCE ±0.5°	TITLE	DRAWN	CHECKED	APPROVED		
UNIT	mm			0 - 6	±0.1	ODS-H4056A1DVM2			
SCALE	N/S			6 - 15	±0.15				
MATERIAL				15 - 60	±0.2				
		60 - 200	±0.3						
		200 - ∞	±0.5						