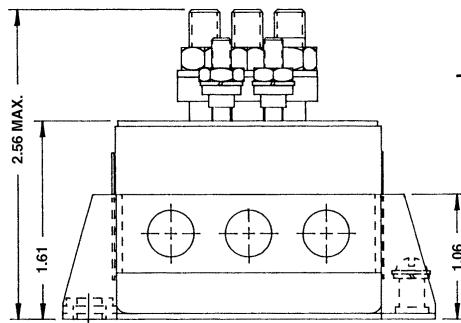
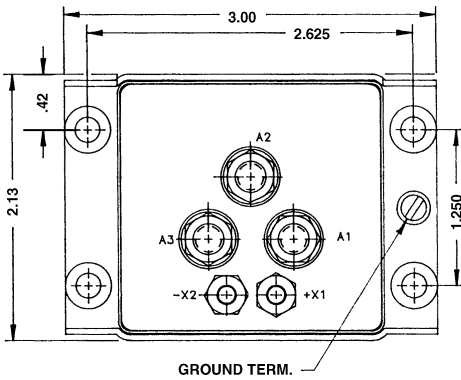
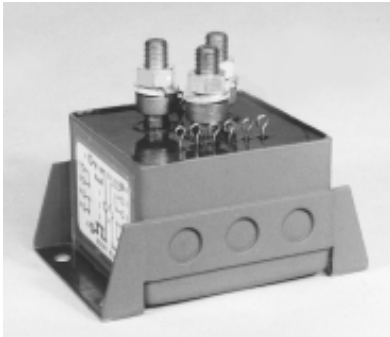


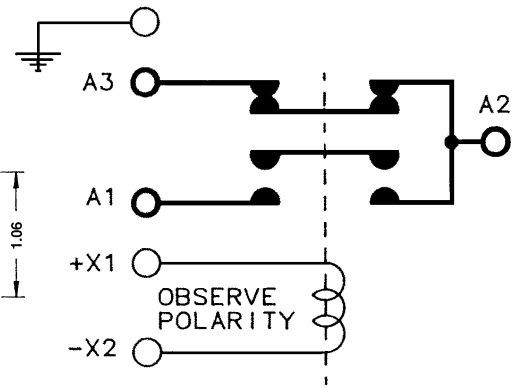
# N-417E SPDT, Double Break, 100 Amps, 28 VDC



**Features:**

- SPDT Double Break Main Contacts
- Hermetically Sealed
- 28 VDC
- 100 Amps
- High Reliability
- Meets many requirements of MIL-R-6106
- Light Weight Construction

**CONTACTOR CONFIGURATION**



Dimensions for this product are expressed in inches. Multiply values by 25.4 for millimeters.

PRODUCT SPECIFICATIONS	
Construction	Welded Hermetic Seal
Main Contacts:	
Configuration	SPDT Double Break
Voltage (Nominal)	28 VDC
Current (Resistive)	100 Amps
Coil Data:	
Duty Cycle	Continuous
Voltage (Nominal)	28 VDC
Pick-Up Voltage	20 VDC at 125°C
Drop-Out Voltage	2 - 7 VDC
Coil Current @ 28 VDC & +25°C	0.175 Amp Maximum
Operating Temperature	-70°C to +125°C
Weight	.69 Lb.

Notes:

For factory-direct application assistance, contact the HARTMAN product team at (419) 521-9500, Fax (419) 526-2749.

© 2004 by Tyco Electronics Corporation. All Rights Reserved. HARTMAN and TYCO are trademarks.