

Features

- Programmable gain, network balance and impedance
- Transformerless 2-4 wire conversion
- Constant current with constant voltage fallback for long loop capability
- Pin compatible with MH88632, MH88620 and MH88628
- Unbalanced detection (Tip, Ring ground sensing)
- Auto ring trip with zero crossing
- On-Hook transmission (ANI) capability
- Compatible with requirements of CCITT, DOC/FCC and CSA/UL
- Excellent power dissipation (SIL vertical mounting)
- 12/16kHz meter pulse injection control
- Solid State TIP/RING reversals
- Ringing amplifier

ISSUE 5

April 1995

Ordering Information

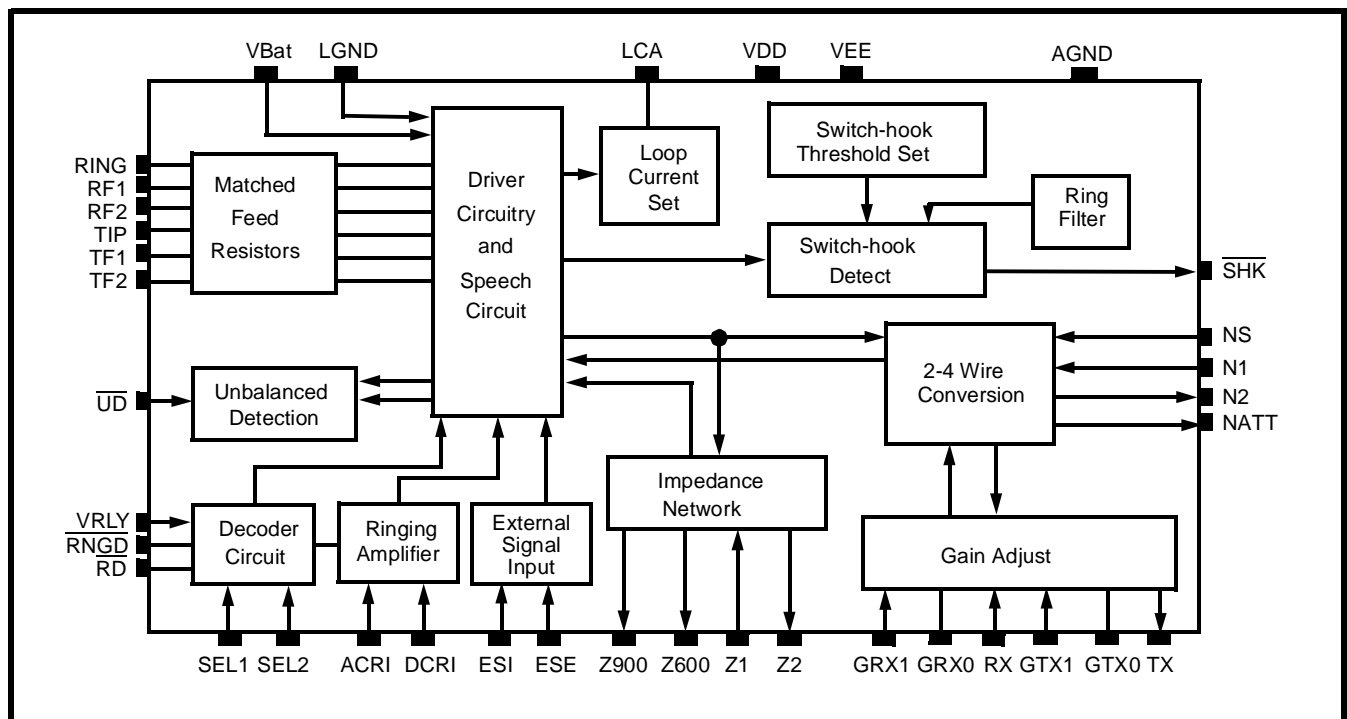
MH88628 40 Pin SIL Package

0°C to 70°C
Applications

- On/Off Premise PBX Line Cards
- DID (Direct Inward Dial) Line Cards
- Central Office Line Cards

Description

The Mitel MH88628 SLIC provides all of the functions required to interface 2-wire off premise subscriber loops to a serial TDM, PCM, switching network of a modern PBX. The MH88628 is manufactured using thick-film hybrid technology which offers high voltage capability, reliability and high density resulting in significant printed circuit board area savings. A complete C.O. line card can be implemented with very few external components.


Figure 1 - Functional Block Diagram

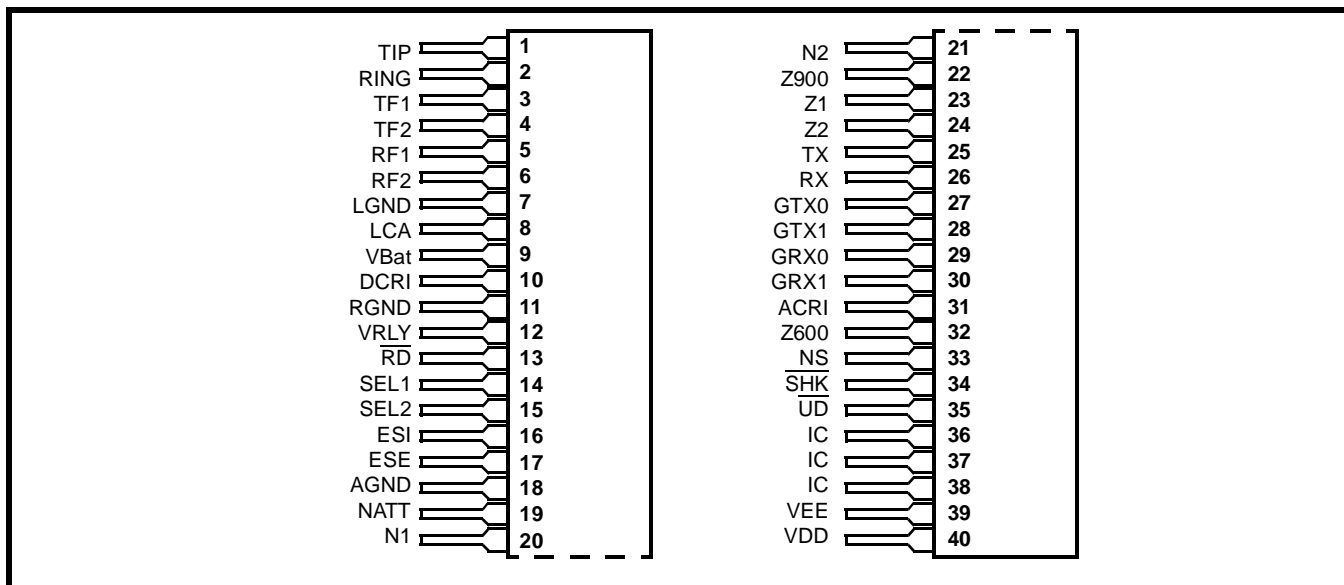


Figure 2 - Pin Connections

Pin Description

Pin #	Name	Description
1	TIP	Tip Lead. Connects to the “Tip” lead of subscriber line.
2	RING	Ring Lead. Connects to the “Ring” lead of the subscriber line.
3	TF1	Tip Feed 1. Access point for balanced ringing. Normally connects to TF2.
4	TF2	Tip Feed 2. Access point for balanced ringing. Normally connects to TF1.
5	RF1	Ring Feed 1. Access point for balanced ringing. Normally connects to RF2.
6	RF2	Ring Feed 2. Access point for balanced ringing. Normally connects to RF1.
7	LGND	Battery Ground. VBat return path. Connected to system’s energy dumping ground.
8	LCA	Current Limit Set (Input). The current limit is set by connecting an external resistor to ground. For 30mA default current, this pin is tied to GND.
9	VBat	Battery Voltage. Typically -48Vdc is applied to this pin.
10	DCRI	DC Ringing Voltage Input. A continuous 120Vdc is applied to this input.
11	RGND	Relay Driver Ground Connection.
12	VRLY	Relay Supply Voltage Connection.
13	$\overline{\text{RD}}$	Ring Drive (Output). Connects to ring relay coil.
14	SEL1	Select 1 (Input). Refer to Table 5
15	SEL2	Select 2 (Input). Refer to Table 5.
16	ESI	External Signal Input. 12/16kHz meter pulse input.
17	ESE	External Signal Enable. Applies the external signal to the line.
18	AGND	Analog Ground. VDD and VEE return path.
19	NATT	Network Balance AT+T Node. Connects to N1 for a network balance impedance of AT&T compromise ($350\Omega + 1k\Omega // 210nF$); the device’s input impedance must be set to 600Ω . This node is active only when NS is at logic high. This node should be left open circuit when not used.

Pin Description (Continued)

Pin #	Name	Description
20	N1	Network Balance Node 1 (Input). 0.1 times the impedance between pins N1 and N2 must match the device's input impedance, while 0.1 times the impedance between pins N1 and AGND is the device's network balance impedance. This node is active only when NS is at logic high. This node may be terminated when not used (i.e., NS at logic low).
21	N2	Network Balance Node 2 (Output). See N1 for description.
22	Z900	Line Impedance 900Ω Node. Connects to Z1 for a line impedance of 900Ω. This node should be left open circuit when not used.
23	Z1	Line Impedance Node 1 (Input). 0.1 times the times the impedance between pins Z1 and Z2 is the device's line impedance. This node must always be connected.
24	Z2	Line Impedance Node 2 (Output). 0.1 times the times the impedance between pins Z1 and Z2 is the device's line impedance. This node should be left open circuit when not used.
25	TX	Transmit (Output). 4-Wire (AGND) referenced audio output.
26	RX	Receive (Input). 4-Wire (AGND) referenced audio input.
27	GTX0	Transmit Gain Node 0. Connects to GTX1 for 0dB transmit gain.
28	GTX1	Transmit Gain Node 1. A resistor to AGND provides transmit gain adjustment.
29	GRX0	Receive Gain Node 0. Connects to GRX1 for 0dB gain.
30	GRX1	Receive Gain Node 1. A resistor to AGND provides receive gain adjustment.
31	ACRI	AC Ringing Voltage Input. A 1.5V _{rms} 20Hz signal is applied to this input.
32	Z600	Line Impedance 600Ω Node (Output). Connects to Z1 for a line impedance of 600Ω. This pin should be left open circuit when not used.
33	NS	Network Balance Setting (Input). The logic level at NS selects the network balance impedance. A logic 0 enables an internal balance equivalent to the input impedance (Z_{in}). While a logic 1 enables an external balance 0.1 times the impedance between pins N1 and AGND balanced to 0.1 times the impedance between pins N1 and N2. The impedance between N1 and N2 must be equivalent to 10 times the input impedance (Z_{in}).
34	$\overline{\text{SHK}}$	Off-Hook Indication (Output). A logic low output indicates when the subscriber equipment has gone Off-Hook.
35	$\overline{\text{UD}}$	Unbalance Detect (Output). A log IC low output indicates when the DC current flow in the Tip and Ring leads is unbalanced, indicating that the subscriber equipment has grounded the Ring lead.
36,37,38	IC	Internal Connection. These pins are internally connected and must be left open
39	VEE	Negative Supply Voltage. -5V dc.
40	VDD	Positive Supply Voltage. +5V dc.

Absolute Maximum Ratings*

	Parameter	Sym	Min	Max	Units	Comments
1	Supply Voltage	V_{Bat} V_{DD} V_{EE} V_{DCRI}	+0.3 -0.3 +0.3 -0.3	65 6 -6 140	V V V V	With respect LGND
2	Storage Temperature	T_S	-40	+125	°C	

* Exceeding these values may cause permanent damage. Functional operation under these conditions is not implied.

Recommended Operating Conditions

	Parameter	Sym	Min	Typ*	Max	Units	Comments
1	Supply Voltage	V_{Bat} V_{DD} V_{EE}	-44 4.75 -4.75	-48 +5.0 -5.0	-60 5.25 -5.25	V V V	
2	Operating Temperature	T_{OP}	0	20	70	°C	
3	AC Ring Generator Voltage Frequency		17	90	33	Vrms Hz	
4	DCRI Input DC Voltage	V_{DCRI}	110	120	130	Vdc	

* Typical figures are at 25° C with nominal $\pm 5V$ supplies for design aid only.

DC Electrical Characteristics‡

		Characteristics	Sym	Min	Typ*	Max	Units	Test Conditions
1		Operating Loop Current	I_{Loop}		45		mA	$R_{Loop}=0\Omega$
		Var in loop current from nominal	I_{Loop} I_{Loop} I_{Loop} I_{Loop}	16	30 ± 2		mA mA mA mA	2300 Ω $V_{Bat} = -48V$ $R_{Loop}=0\Omega$, LCA - GND
2		Operating Currents	I_{Bat} I_{Bat} I_{DD} I_{EE}		32 2 25 25		mA mA mA mA	$R_{Loop} = 0$ (off Hook), LCA=GND $R_{Loop} =$ open (On-Hook) On-hook or Off-Hook On-Hook or Off-Hook
3		Power Dissipation	PD_O PD_1		2 300		W mW	Active Standby/Idle
4	\overline{SHK} UD	Low level Output Voltage High Level Output Voltage	V_{OL} V_{OH}	3.7		0.5	V V	$I_{OL} = 400\mu A$ $I_{OH} = 40\mu A$
5	SEL1 SEL2	Low Level Input Voltage High Level Input Voltage	V_{IL} V_{IH}	2.4		0.8	V V	
6	ESE NS	High Level Input Current Low Level Input Current	I_{IH} I_{IL}			20 20	μA μA	$V_{IH}=5.0V$ $V_{IL}=0.0V$

‡ DC Electrical Characteristics are over recommended operating conditions unless otherwise stated.

* Typical figures are at 25°C with nominal $\pm 5V$ supplies and are for design aid only.

AC Electrical Characteristics[‡]

	Characteristics	Sym	Min	Typ*	Max	Units	Test Conditions
1	TX Gain			0		dB	externally adjustable
2	RX Gain			0		dB	externally adjustable
3	Ringing Capability			5		REN	
4	On-Hook Transmission Signal Input Level Gain			6	2.0	V _{rms} dB	V _{Bat} =-48V T-R load = 10kΩ min.
5	External Signal Output Level		1.75		2.25	V _{rms}	V _{Bat} = -48V, T-R load= 200Ω LCA=0V, Zo=600Ω, Gain=0dB
6	SHK Rise Time Fall time	t _R t _F		1 1		ms ms	Dial Pulse Detection
7	2-Wire Termination Impedance			600/ 900		Ω	Selectable
8	Off-Hook Detect Threshold			10		mA	
9	2-Wire Return Loss		20 20 20			dB dB dB	300 to 500Hz 500 to 2500Hz 2500 to 3400Hz
10	Longitudinal Balance Longitudinal to Metallic		58 53			dB dB	200-1000Hz 1kHz - 3k4Hz
11	Longitudinal Current Capability				40	mA	20mA per lead
12	Idle channel Noise Rx to T-R T-R to Tx	N _{CR} N _{CX}		8 12		dBrnC dBrnC	
13	Transhybrid Loss	THL	22	40		dB	200-3400Hz
14	Unbalanced Detect Threshold	I _{UB}		10		mA	
15	Analog Signal Overload Level At Tip and Ring				4	dBm	T-R=600Ω, V _{Bat} =-48V
16	Ringing Signal Voltage			90		V _{rms}	
17	Ringing Frequency		17		33	Hz	
18	Ring Trip Delay			100		ms	
19	Absolute Gain, Variation			±0.1		dB	0dB at T-R, 1kHz
20	Relative Gain, reference to 1kHz			±0.05		dB	300-3400Hz
21	Power Supply Rejection Ratio V _{Bat} V _{DD} V _{EE}	PSRR		24 24 24		dB	1kHz, 100mVpp

* Typical figure are at 25°C with nominal ±5V supplies and are for design aid only.

‡ AC Electrical Characteristics are over recommended operating conditions unless otherwise stated.

Notes:

Impedance set by external network of 600Ω or 900Ω default.

External network for test purposes consists of 2200Ω + 8200Ω // 11.5nF between pins Z1 and Z2, the equivalent Zin has 1/10th the impedance and is equivalent to 220Ω+820Ω // 11.5nF.

Test condition uses a Zin value of 600Ω, 900Ω and the above external network.

Test conditions use a transmit and receive gain set to 0dB default and a Zin value of 600Ω unless otherwise stated.

"Ref" indicates reference impedance which is equivalent to the termination impedance.

"Net" indicates network balance impedance.

Refer to Table 1, 2 for TX, RX gain adjustment.

Functional Description

The SLIC uses a transformerless electronic 2-wire to 4-wire conversion which can be connected to a Codec to interface the 2 wire subscriber loops to a time division multiplexed (TDM) pulse code modulated (PCM) digital switching network. For analog applications, the Tx and Rx of the 2-4 wire converter can be connected directly to an analog crosspoint switch such as the MT8816. Powering of the line is provided through precision battery feed resistors. The MH88628 also contains control, signalling and status circuitry which combines to provide a complete functional solution which simplifies the manufacture of line cards. This circuitry is illustrated in the functional block diagram in Fig. 1. The MH88628 is designed to be pin compatible with Mitel's MH88632 and MH88625. This allows a common PCB design with common gain, input impedance and network balance.

Approvals

FCC part 68, CCITT, DOC CS-03, UL 1459, CAN/CSA 22.2 No.225-M90 and ANSI/EIA/TIA-464-A are system level safety standards and performance requirements. As a component of a system, the MH88628 is designed to comply with the applicable requirements of these specifications.

Battery Feed

The loop current for the subscriber equipment is sourced through a pair of matched 200 Ω resistors connected to the Tip and Ring. The two wire loop is biased such that the Ring lead is 2V above V_{Bat} (typically -46V) and the Tip lead is 2V below LPGD (typically -2V) during constant voltage, constant current mode.

The SLIC is designed for a nominal battery voltage of -48Vdc and can provide the maximum loop current of 45mA under the condition.

The MH88628 is designed to operate down to a minimum of 16mA dc, with a battery voltage of -44V. The Tip and Ring output drivers can operate within 2V of V_{Bat} and LGND rails. This permits a maximum loop range of 2300 Ω .

Loop Current Setting

The MH88628 SLIC is a constant current with constant voltage fallback design. This design feature provides for long loop capability regardless of the constant current setting. Refer to Graph 1.

The LCA (Loop Current Adjust) pin is an input to an internal resistor divider network which generates a bias voltage. The loop current is proportional to this voltage. The loop current can be set between 20 and 45mA by various connections to the LCA pin as illustrated in Table 5 and Figure 8. The loop current during a fault condition will be limited to a safe level. Primary over-current protection is inherent in the current limiting feature of the 200 Ω battery feed resistors. Refer to Graph 1.

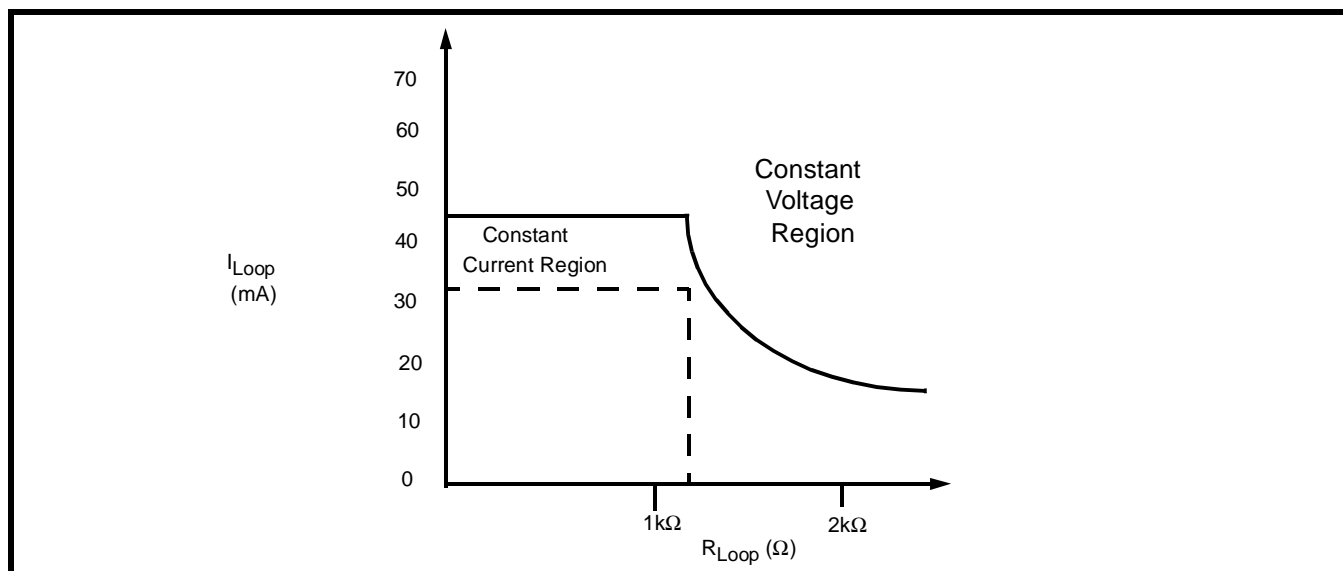
Receive and Transmit Audio Path

The audio signal of the 2-wire side is sensed differentially across the external 200 Ω feed resistors and is passed on to a second differential amplifier stage in the 2W/4W conversion block. This block sets the transmit gain on the 4-wire side and cancels signals originating from the receive input before outputting the signal.

Programmable Transmit and Receive Gain

Transmit Gain (Tip-Ring to Tx) and Receive Gain (Rx to Tip-Ring) are programmed by connecting external resistors (RRX and RRT) from GRX1 to AGND and from GTX1 to AGND as indicated in Figure 3 and Tables 1 and 2. The programmable gain range is from -12dB to +6dB; this wide range will accommodate any loss plan. Alternatively, the default Receive Gain of 0dB and Transmit Gain of 0dB can be obtained by connecting GRX0 to GRX1 and GTX0 to GTX1. In addition, a Receive gain of +6dB and Transmit Gain of +6dB can be obtained by not connecting resistors RRX and RTX. For correct gain programming, the MH88628's Tip-Ring impedance (Z_{in}) must match the line termination impedance.

For optimum performance, resistor RRX should be physically located as close as possible to the GRX1 input pin, and resistor RTX should be physically located as close as possible to the GTX1 input pin.



Graph 1 - I_{Loop}/R_{Loop} Characteristics

Two wire Port Termination Impedance

The AC termination impedance of 600 or 900Ω, of the 2W port, is set using active feedback paths to give the desired relationship between the line voltage and the line current. The loop current is sensed differentially across the two feed resistors and converted to a single ended signal. This signal is fed back to the Tip/Ring driver circuitry such that impedance in the feedback path gets reflected to the two wire port. The MH88628's Tip-Ring impedance (Z_{in}) can be set to 600Ω, 900Ω or to a user selectable value. Thus, Z_{in} can be set to any international requirement. The connection to Z1 determines the input impedance. With Z1 connected to Z600, the line impedance is set to 600Ω. With Z1 connected to Z900, the line impedance is set to 900Ω. A user defined impedance can be selected which is 0.1 times the impedance between Z1 and Z2.

For example, with 2200Ω in series with 11.5nF in parallel with 8200Ω, all between Z1 and Z2, the devices line impedance will be 220Ω in series with 115nF in parallel with 820Ω. See Table 3 and Figures 4 & 5.

Network Balance

Transhybrid loss is maximized when the line termination impedance and SLIC network balance are matched. The MH88628's network balance impedance set can be set to Z_{in} , AT&T (350Ω + 1kΩ // 210nF) or to a user selectable value. Thus, the network balance impedance can be set to any international requirement. A logic level control input NS selects the balance mode. With NS at logic low, an internal network balance impedance is matched to the line impedance (Z_{in}). With NS at logic high, a

user defined network balance impedance is selected which is 0.1 times the impedance between N1 and AGND. For example, with 2200Ω in series with 11.5nF in parallel with 8200Ω, all between N1 and AGND, and NS at logic high, the devices network balance impedance is 220Ω in series with 115nF in parallel with 820Ω; the impedance between N1 and N2 must be equivalent to 10 times the input impedance (Z_{in}). In addition, with NS at logic high, an AT&T network balance impedance can be selected by connecting NATT to N1; in this case, no additional network is required between N1 and N2. See Table 4 and Figure 6.

12/16kHz Meter Pulse

The MH88628 provides control of an external signal path to the driver. A 12/16kHz continuous signal can be applied to the ESI pin. Control of the ESE input allows the metering signal to be transmitted to the line.

Unbalanced Detection

The Unbalanced Detect (\overline{UD}) pin goes low when the DC current through the two battery feed resistors is unbalanced i.e., when the average DC current into the Ring lead exceeds the current flow out of the Tip lead (indicating that the Ring lead has been grounded).

When the SLIC is interfaced to ground start subscriber equipment during the idle state, the \overline{UD} output is monitored for indication of the subscribers Ring Ground signal. The maximum loop current supplied by the feed circuitry under this condition is limited.

Longitudinal Balance

The longitudinal balance specifies the degree of common mode rejection in the 2 to 4 wire direction. Precision laser trimming of internal resistors in the hybrid ensures good overall longitudinal balance.

The interface circuitry can operate in the presence of induced longitudinal currents of up to 40mA at 60Hz.

Off-Hook and Dial Pulse Detection

The \overline{SHK} pin goes low when the DC-loop current exceeds a specified level. The threshold level is internally set by the bias voltage of the switch-hook detect circuitry. Dial pulse can be detected by monitoring the interruption rate at the \overline{SHK} pin. These dial pulses would be debounced by the system's software.

Ring Trip Detection

The interface permits detection of an Off-Hook condition during the ringing. If the subscriber set goes Off-Hook when the ringing signal has been applied, the DC loop current flow will be detected within approx. 100msecs and the \overline{SHK} output will go low. The ring relay is automatically disabled by the internal hardware.

Control Decode

The different modes of operation are selected by decoding the SEL1 and SEL2 inputs (see Table 5).

DTMF

The DTMF tones are transmitted and received at the 4-wire port.

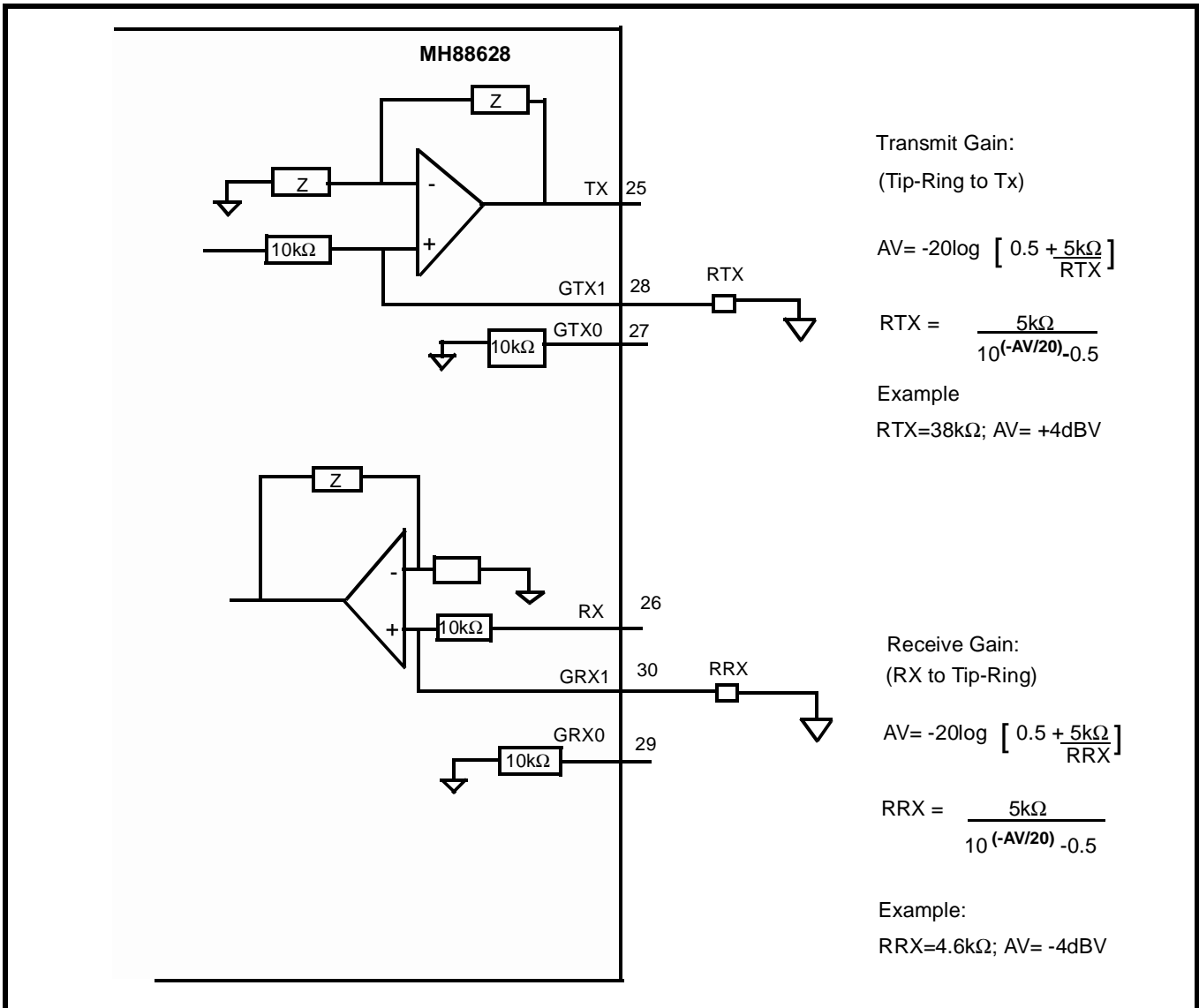


Figure 3 - Gain Programming with External Components

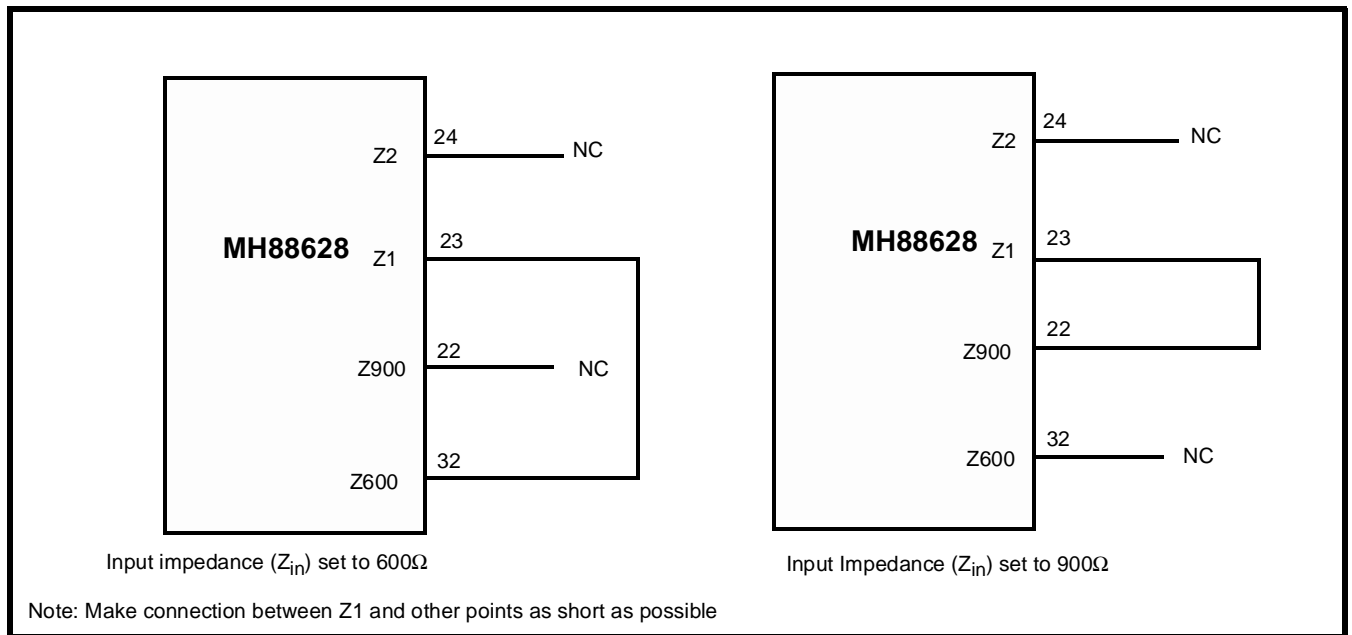


Figure 4 - Input Impedance (Z_{in}) Settings with Z_{in} equal to 600 or 900Ω

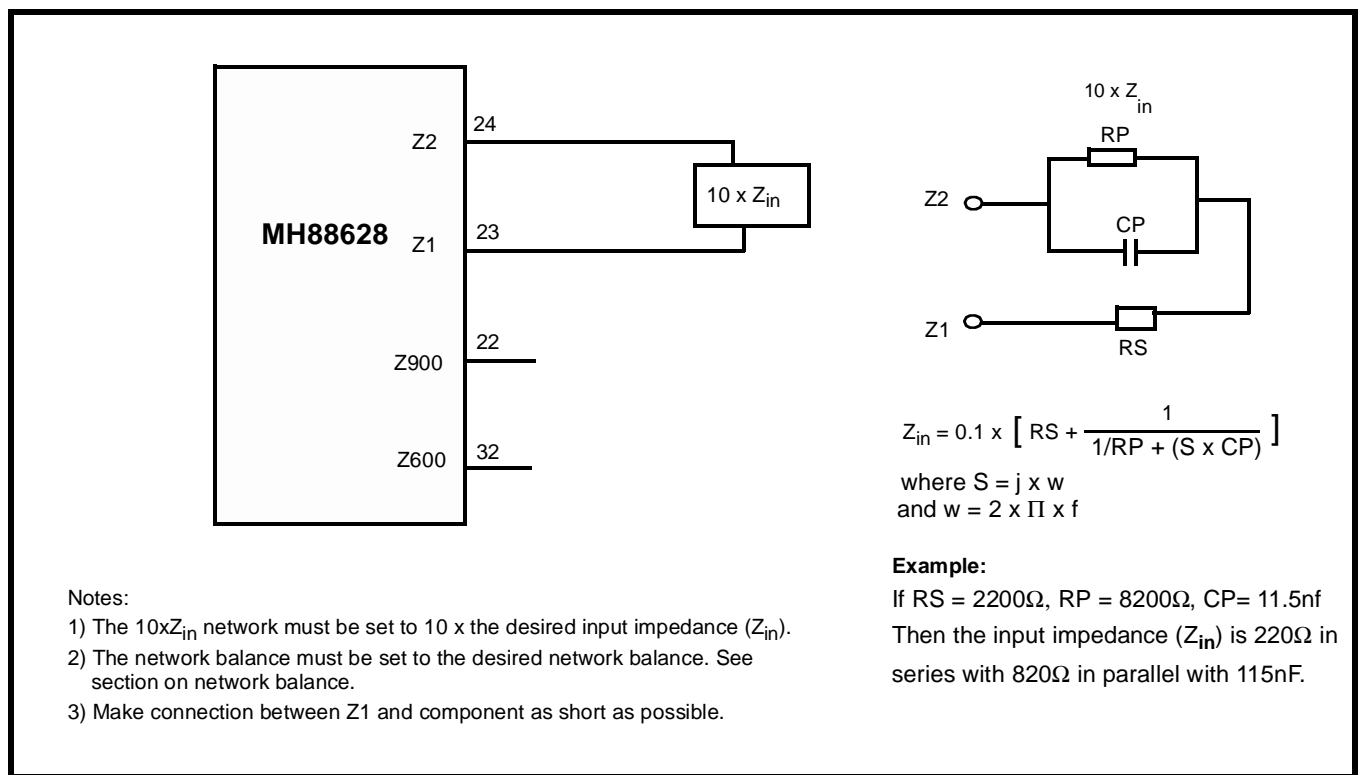


Figure 5 - Input Impedance (Z_{in}) Settings with Z_{in} not equal to 600 to 900Ω

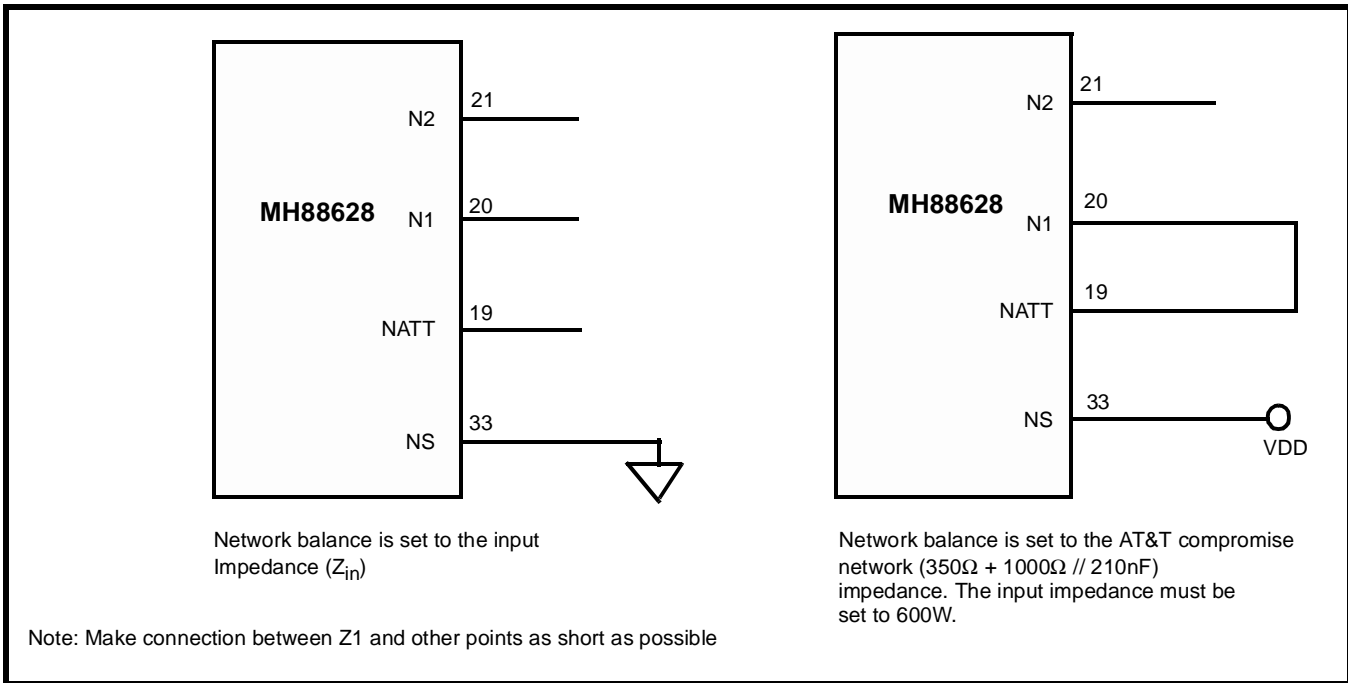


Figure 6 - Network Balance Setting with NETBAL equal to Z_{in} or AT&T

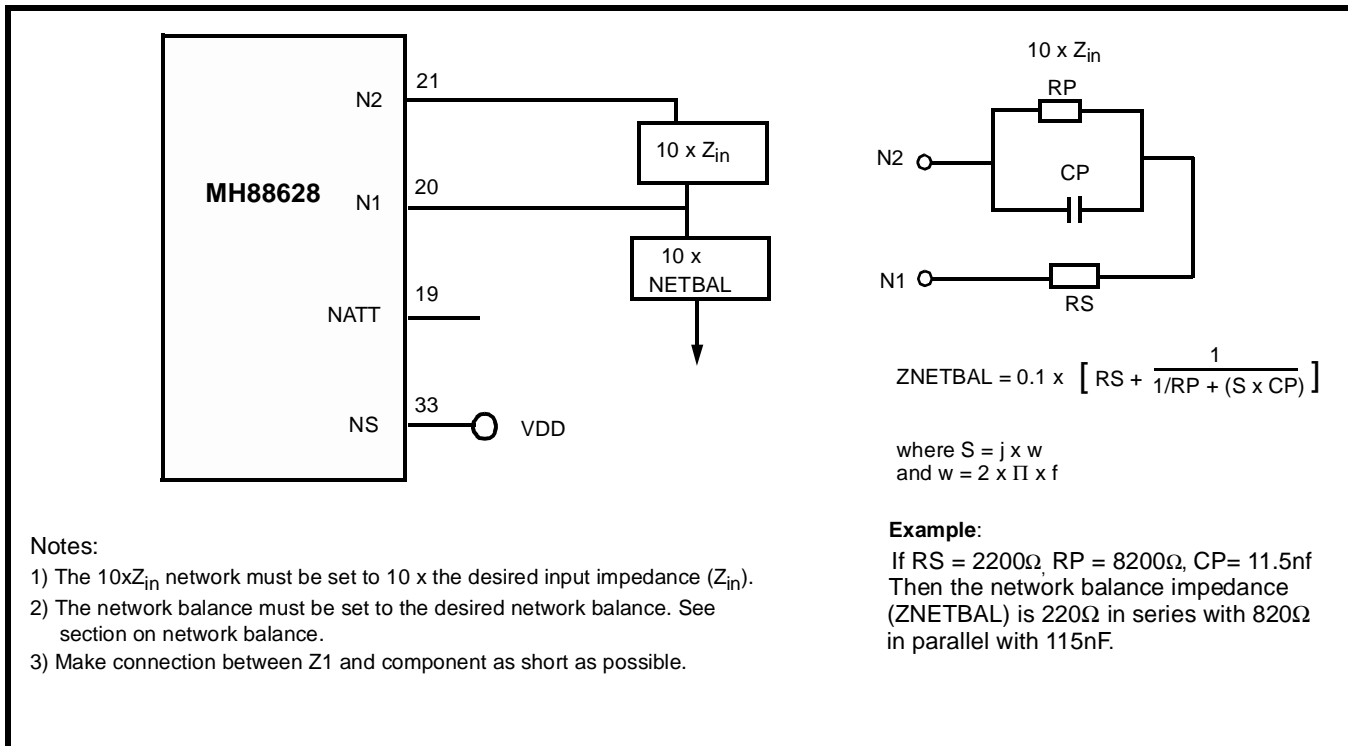


Figure 7 - Network Balance Setting with NETBAL not equal to Z_{in} or AT&T

Tables 1 & 2: Transmit and Receive Gain Programming

Transmit Gain (dB)	RTX Resistor Value (Ω)	Notes
+6.0	No Resistor	
+4.0	38.3k	Results in 0dB overall gain when used with Mitel A-law codec (i.e. MT8965)
+3.7	32.4k	Results in 0dB overall gain when used with Mitel μ -law codec (i.e. MT8964)
0.0	GTX0 to GTX1	
-3.0	5.49k	
-6.0	3.32k	
-12.0	1.43k	
Receive Gain (dB)	RRX Resistor Value (Ω)	Notes
+6.0	No Resistor	
0.0	GRX0 to GRX1	
-3.0	5.49k	
-3.7	4.87k	Results in 0dB overall gain when used with Mitel A-law codec (i.e. MT8965)
-4.0	4.64k	Results in 0dB overall gain when used with Mitel μ -law codec (i.e. MT8964)
-6.0	3.32k	
-12.0	1.43k	

Note 1: See Figures 3 and 4 for additional details.

Note 2: Overall gain refers to the receive path of PCM to 2-wire, and transmit path of 2-wire to PCM.

Table 3: Input Impedance Settings

Z2	Z1	Z600	Z900	Resulting input impedance (Z_{in})
NA	Connect Z1 to Z600		NA	600 Ω
NA	Connect Z1 to Z9000	NA	Connect Z1 to Z900'	900 Ω
Connect network from Z1 to Z2		NA	NA	0.1 x impedance between Z1 & Z2

Note 1: NA indicates high impedance (10k Ω) connection to this pin does not effect the resulting network balance.

Note 2: See Figure 4 & 5 for Application Circuits.

Table 4: Network Balance Settings

NS (Input)	N2	N1	NATT	Resulting input impedance (Z_{in})
Low	NA	NA	NA	Equivalent to Z_{in}
High	NA	Connect N1 to NATT		AT&T compromise (350 Ω + 1k Ω // 210nF) Z_{in} must be 600 Ω
High	Connect network from N1 to AGND equivalent to 10 x NETBAL. Connect network from N1 to N2 equivalent to 10 x Z_{in} .		NA	0.1 x impedance between N1 & N2

Note 1: NA indicates high impedance (10k Ω) connection to this pin does not effect the resulting network balance.

Note 2: Low indicates Logic Low.

Note 3: See Figures 6 and 7 for Application Circuit.

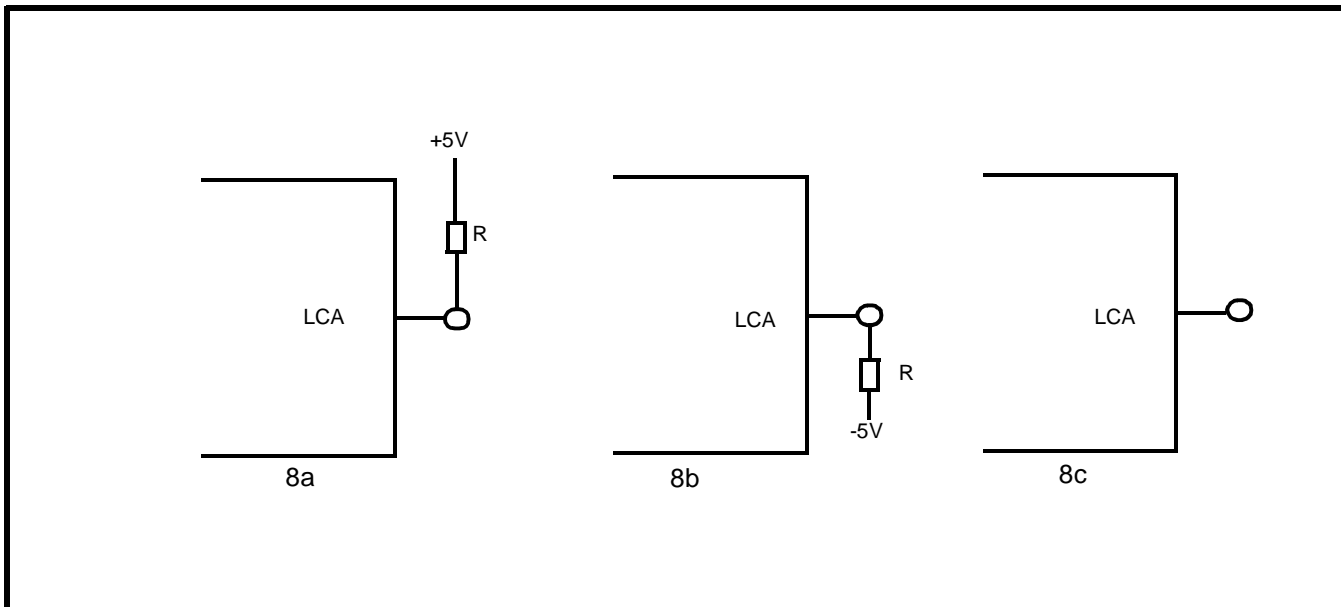


Figure 8 - Loop Current Setting

High Voltage capability

Inherent in the thick-film process is the ability of the substrate to handle high voltage. The standard Mitel thick-film process provides dielectric strengths of greater than 1000VAC or 1500VDC. The thick-film process allows easy integration of surface mount components such as the high voltage bi-polar power transistor line drivers. This allows for simpler, less elaborate and less expensive protection circuitry required to handle high voltage transients and fault conditions caused by lightning, induced voltages and power line crossings.

On-hook Transmission

The MH88628 provides for on-hook transmission which supports features such as Automatic Numbers Identification (ANI). The (ANI) information is a FSK signal originating from and sent by the C.O. during the off period of the ringing voltage being sent to the subscribers set. The signal is present during the off period between the first and second ring. The subscribers set decodes the FSK signal and displays the calling party's number.

TIP Disable

A relay driver, controlled by SEL1 and SEL2, is provided to drive a relay which can be used to disable the TIP line when the MH88628 is used for a ground start central office interface.

Loop Length

The MH88628 can accommodate loop length of up to 2300 Ω minimum (including the subscriber equipment). This corresponds to approximately 8km using 26AWG twisted pair or 15km using 24AWG twisted pair.

Central Office Operation

The MH88628 can be configured for ground start C.O. applications with the addition of Q1, D1 and K2, as shown in Figure 9. Ground start requires control of the Tip lead to remove battery ground from subscriber loop. For loop start applications, control of the Tip lead is not required.

C.O.'s perform Tip/Ring reversals to indicate that a tool call has been dialed. The Tip/ring reversal can indicate a toll diversion signal.

Internal Ringing Amplifier Operation

The MH88628 offers an on-board ringing amplifier. A 1.5 VRMS, 20Hz signal is amplified internally and applied to TIP and RING leads in a balanced configuration. A +120Vdc supply are applied continuously to the MH88628. The decode signals on SEL1 and SEL2 enable the ringing signal to the TIP and RING when required.

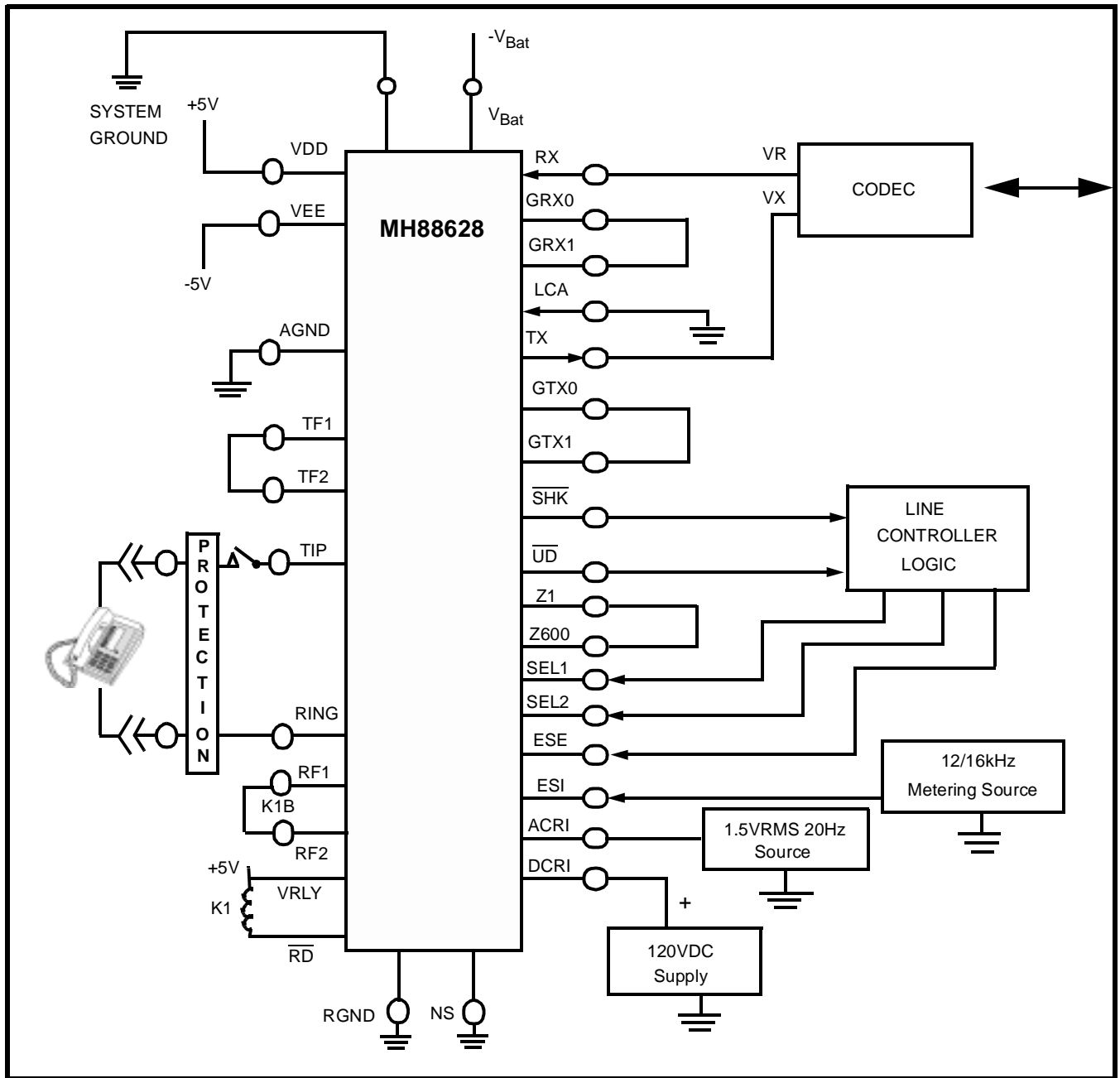


Figure 9 - OPS SLIC Configuration Applications Circuit - Normal Ringing

Graph 2 - Loop Current Setting

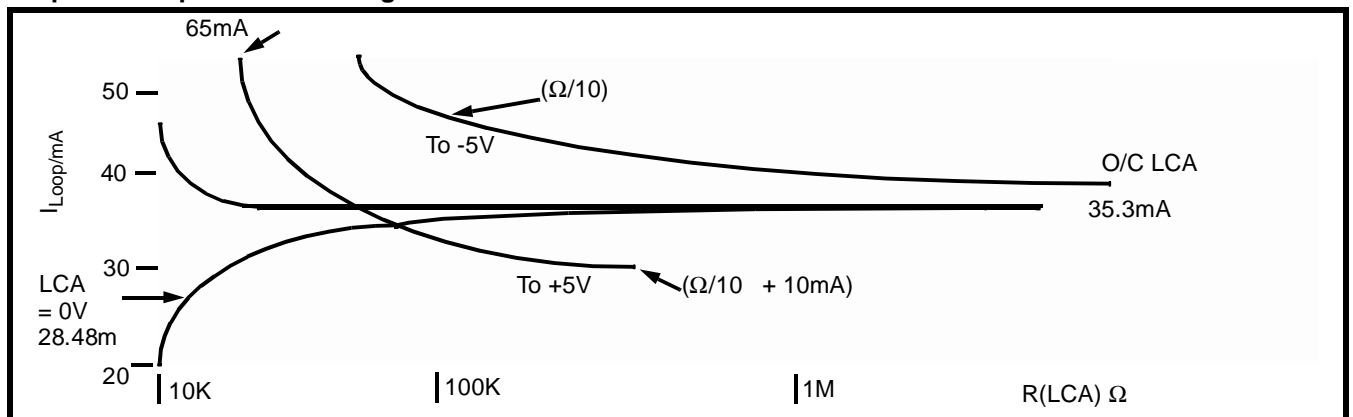


Table 5: Control Decode Table

Mode	Condition	SEL1	SEL:2
1	Normal Operation	0	0
2	Apply internal balanced ringing	1	0
3	Reverse TIP and RING	0	1
4	Enable Relay Driver	1	1

Table 6: Loop Current Setting

Loop Current	Ref. Fig #	LCA Pin Connection
20	8a	Connect 10kΩ from LCA to +5V
25	8a	Connect 22kΩ from LCA to +5V
30	8a	Connect 36kΩ from LCA to +5V
35	8c	LCA open circuit
40	8b	Connect 24kΩ to -5V
45	8b	Connect 10kΩ from LCA to -5V

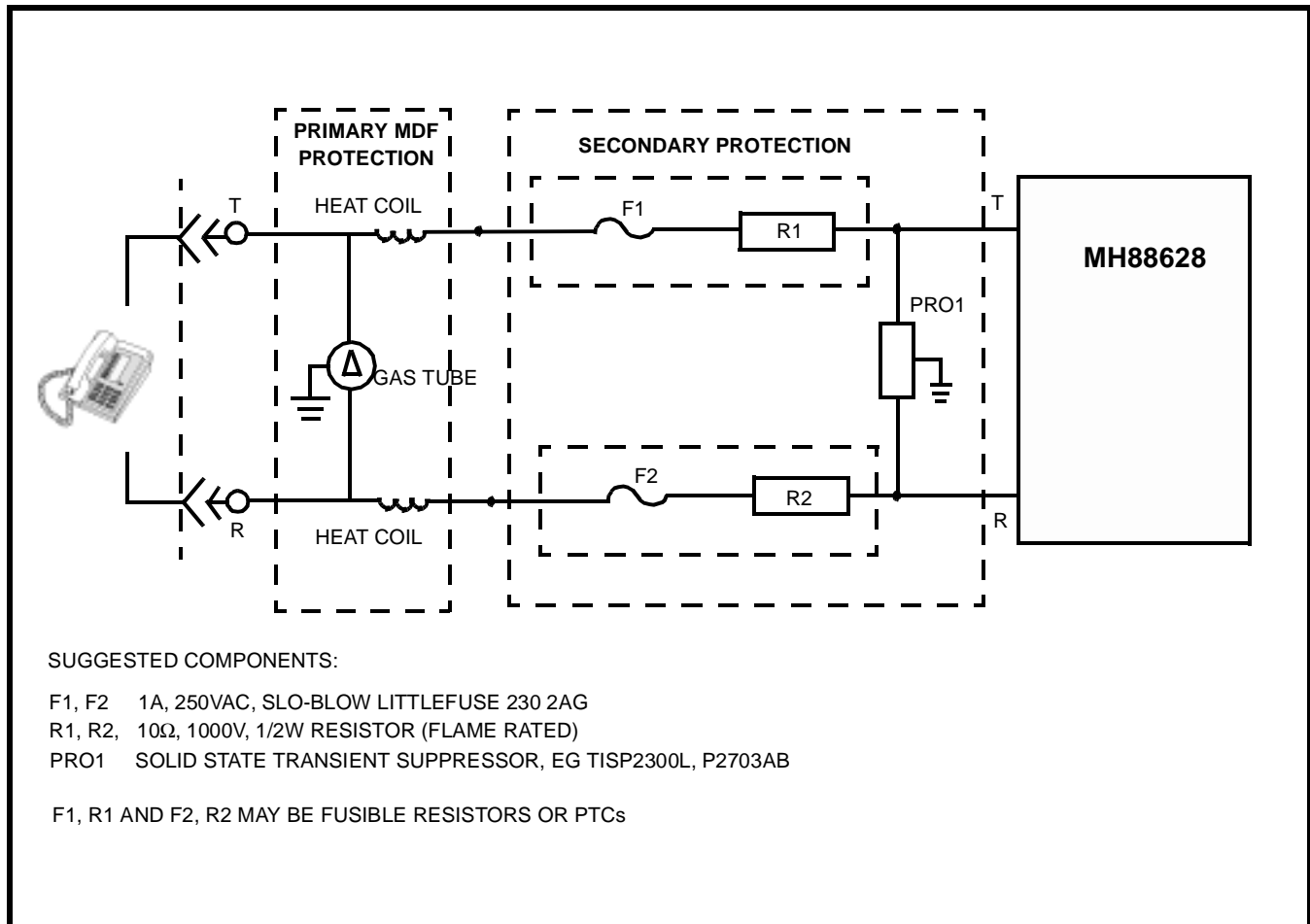


Figure 10 - Typical Protection Circuit

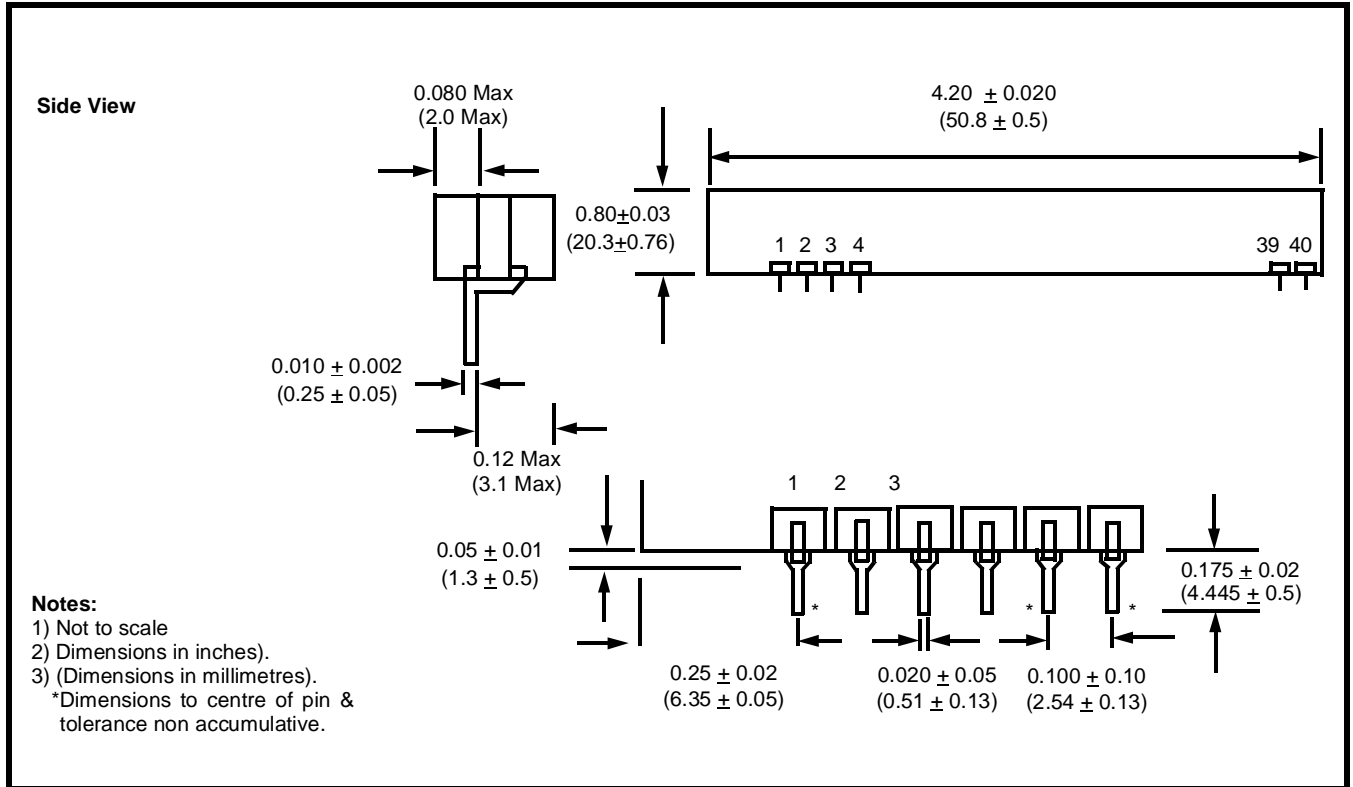


Figure 11 - Mechanical Data

Notes: