

RELIABILITY REPORT
FOR
MAX1287EKA
PLASTIC ENCAPSULATED DEVICES

February 1, 2004

MAXIM INTEGRATED PRODUCTS

120 SAN GABRIEL DR.

SUNNYVALE, CA 94086

Written by



Jim Pedicord
Quality Assurance
Reliability Lab Manager

Reviewed by



Bryan J. Preeshl
Quality Assurance
Executive Director

Conclusion

The MAX1287 successfully meets the quality and reliability standards required of all Maxim products. In addition, Maxim's continuous reliability monitoring program ensures that all outgoing product will continue to meet Maxim's quality and reliability standards.

Table of Contents

I.Device Description	V.Quality Assurance Information
II.Manufacturing Information	VI.Reliability Evaluation
III.Packaging Information	IV.Die Information
Attachments

I. Device Description

A. General

The MAX1287 is a low-cost, micropower, serial output 12-bit analog-to-digital converter (ADC) available in a tiny 8-pin SOT23. The MAX1287 operates with a single +3V supply. The devices feature a successive-approximation ADC, automatic shutdown, fast wakeup (1.4 μ s), and a high-speed 3-wire interface. Power consumption is only 0.5mW ($V_{DD} = +2.7V$) at the maximum sampling rate of 150kps. AutoShutdown™ (0.2 μ A) between conversions results in reduced power consumption at slower throughput rates. The MAX1287 provides 2-channel, single-ended operations and accept input signals from 0 to V_{REF} . Data is accessed using an external clock through the 3-wire SPI™/QSPI™/MICROWIRE™-compatible serial interface. Excellent dynamic performance, low power, ease of use, and small package size make these converters ideal for portable battery-powered data-acquisition applications, and for other applications that demand low power consumption and minimal space.

B. Absolute Maximum Ratings

<u>Item</u>	<u>Rating</u>
VDD to GND	-0.3V to +6V
CNVST, SCLK, DOUT to GND	-0.3V to (VDD + 0.3V)
REF, AIN1 (AIN+), AIN2 (AIN-) to GND	-0.3V to (VDD + 0.3V)
Maximum Current into Any Pin	50mA
Operating Temperature Range	-40°C to +85°C
Storage Temperature Range	-60°C to +150°C
Lead Temperature (soldering, 10s)	+300°C
Continuous Power Dissipation (TA = +70°C)	
8-Pin SOT	696mW
Derates above +70°C	
8-Pin SOT	9.7mW/°C

II. Manufacturing Information

- A. Description/Function: 150ksps, 12-Bit, 2-Channel Single-Ended ADCs in SOT23
- B. Process: S6 (Standard 0.6 micron silicon gate CMOS)
- C. Number of Device Transistors: 6922
- D. Fabrication Location: California, USA
- E. Assembly Location: Malaysia
- F. Date of Initial Production: October, 2001

III. Packaging Information

- A. Package Type: **8-Pin SOT**
- B. Lead Frame: Copper
- C. Lead Finish: Solder Plate
- D. Die Attach: N/A
- E. Bondwire: 6 mil dia. ball
- F. Mold Material: Epoxy with silica filler
- G. Assembly Diagram: #05-2101-0032
- H. Flammability Rating: Class UL94-V0
- I. Classification of Moisture Sensitivity per JEDEC standard JESD22-112: Level 1

IV. Die Information

- A. Dimensions: 90 x 45 mils
- B. Passivation: $\text{Si}_3\text{N}_4/\text{SiO}_2$ (Silicon nitride/ Silicon dioxide)
- C. Interconnect: Aluminum/Si (Si = 1%)
- D. Backside Metallization: None
- E. Minimum Metal Width: 0.6 microns (as drawn)
- F. Minimum Metal Spacing: 0.6 microns (as drawn)
- G. Bondpad Dimensions: 5 mil. Sq.
- H. Isolation Dielectric: SiO_2
- I. Die Separation Method: Wafer Saw

V. Quality Assurance Information

- A. Quality Assurance Contacts: Jim Pedicord (Manager, Reliability Operations)
Bryan Preeshl (Executive Director)
Kenneth Huening (Vice President)
- B. Outgoing Inspection Level: 0.1% for all electrical parameters guaranteed by the Datasheet.
0.1% For all Visual Defects.
- C. Observed Outgoing Defect Rate: < 50 ppm
- D. Sampling Plan: Mil-Std-105D

VI. Reliability Evaluation

A. Accelerated Life Test

The results of the 135°C biased (static) life test are shown in **Table 1**. Using these results, the Failure Rate (λ) is calculated as follows:

$$\lambda = \frac{1}{\text{MTTF}} = \frac{1.83}{192 \times 4389 \times 320 \times 2} \quad (\text{Chi square value for MTTF upper limit})$$

▲
Temperature Acceleration factor assuming an activation energy of 0.8eV

$$\lambda = 3.39 \times 10^{-9}$$

$$\lambda = 3.39 \text{ F.I.T. (60\% confidence level @ 25°C)}$$

This low failure rate represents data collected from Maxim's reliability monitor program. In addition to routine production Burn-In, Maxim pulls a sample from every fabrication process three times per week and subjects it to an extended Burn-In prior to shipment to ensure its reliability. The reliability control level for each lot to be shipped as standard product is 59 F.I.T. at a 60% confidence level, which equates to 3 failures in an 80 piece sample. Maxim performs failure analysis on any lot that exceeds this reliability control level. Attached Burn-In Schematic (Spec. # 06-5676) shows the static Burn-In circuit. Maxim also performs quarterly 1000 hour life test monitors. This data is published in the Product Reliability Report (**RR-1M**).

B. Moisture Resistance Tests

Maxim pulls pressure pot samples from every assembly process three times per week. Each lot sample must meet an LTPD = 20 or less before shipment as standard product. Additionally, the industry standard 85°C/85%RH testing is done per generic device/package family once a quarter.

C. E.S.D. and Latch-Up Testing

The AC13 die type has been found to have all pins able to withstand a transient pulse of $\pm 1000\text{V}$ per Mil-Std-883 Method 3015 (reference attached ESD Test Circuit). Latch-Up testing has shown that this device withstands a current of $\pm 200\text{mA}$.

Table 1
Reliability Evaluation Test Results

MAX1287EKA

TEST ITEM	TEST CONDITION	FAILURE IDENTIFICATION	PACKAGE	SAMPLE SIZE	NUMBER OF FAILURES
Static Life Test (Note 1)					
	Ta = 135°C Biased Time = 192 hrs.	DC Parameters & functionality		320	0
Moisture Testing (Note 2)					
Pressure Pot	Ta = 121°C P = 15 psi. RH= 100% Time = 168hrs.	DC Parameters & functionality	SOT	77	0
85/85	Ta = 85°C RH = 85% Biased Time = 1000hrs.	DC Parameters & functionality		77	0
Mechanical Stress (Note 2)					
Temperature Cycle	-65°C/150°C 1000 Cycles Method 1010	DC Parameters		77	0

Note 1: Life Test Data may represent plastic DIP qualification lots.

Note 2: Generic Package/Process data

Attachment #1

TABLE II. Pin combination to be tested. 1/ 2/

	Terminal A (Each pin individually connected to terminal A with the other floating)	Terminal B (The common combination of all like-named pins connected to terminal B)
1.	All pins except V_{PS1} 3/	All V_{PS1} pins
2.	All input and output pins	All other input-output pins

1/ Table II is restated in narrative form in 3.4 below.

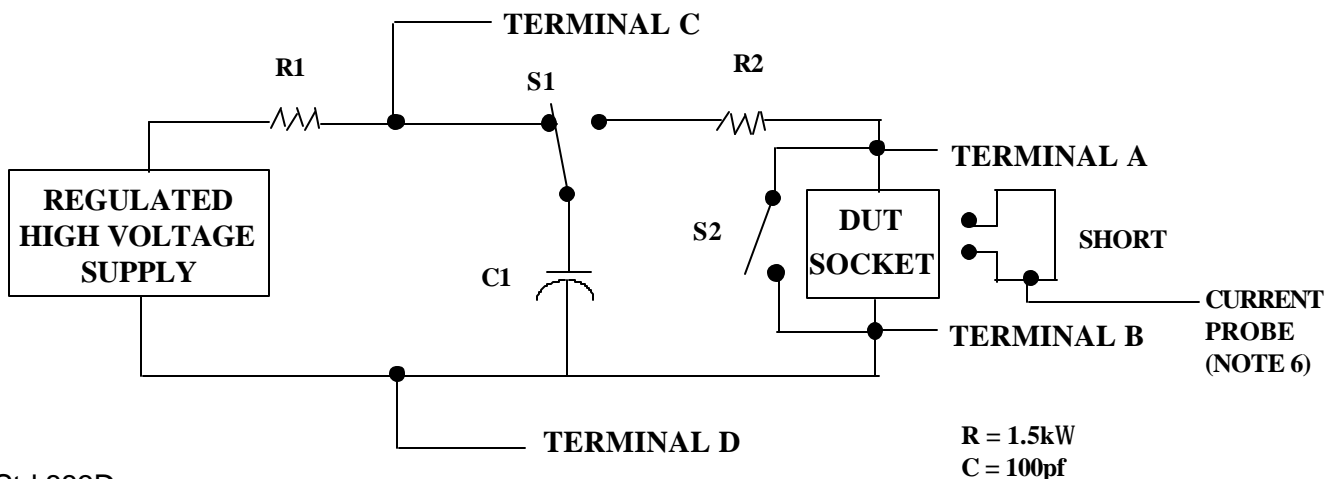
2/ No connects are not to be tested.

3/ Repeat pin combination 1 for each named Power supply and for ground

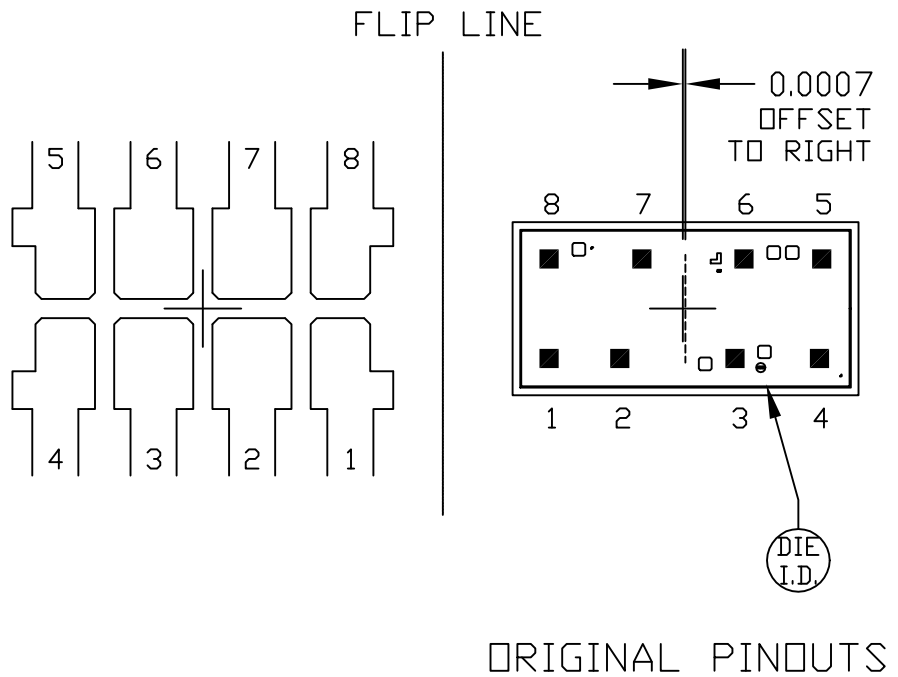
(e.g., where V_{PS1} is V_{DD} , V_{CC} , V_{SS} , V_{BB} , GND, $+V_S$, $-V_S$, V_{REF} , etc).

3.4 Pin combinations to be tested.

- a. Each pin individually connected to terminal A with respect to the device ground pin(s) connected to terminal B. All pins except the one being tested and the ground pin(s) shall be open.
- b. Each pin individually connected to terminal A with respect to each different set of a combination of all named power supply pins (e.g., V_{SS1} , or V_{SS2} or V_{SS3} or V_{CC1} , or V_{CC2}) connected to terminal B. All pins except the one being tested and the power supply pin or set of pins shall be open.
- c. Each input and each output individually connected to terminal A with respect to a combination of all the other input and output pins connected to terminal B. All pins except the input or output pin being tested and the combination of all the other input and output pins shall be open.



FLIP CHIP PKG.

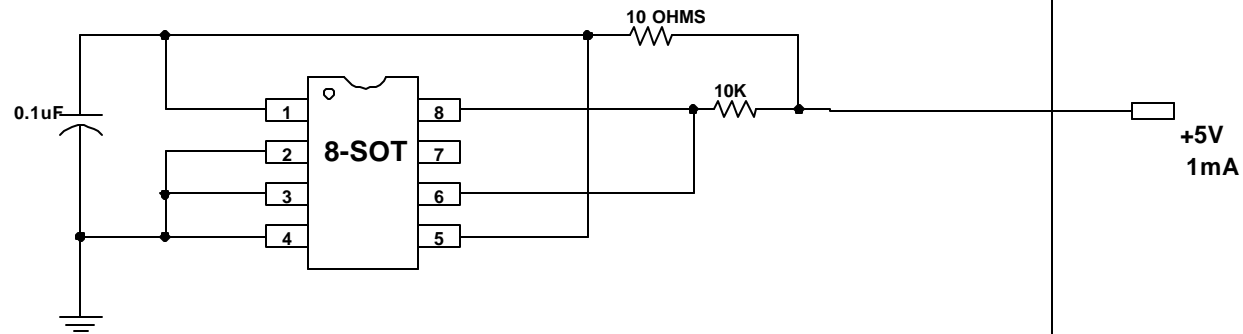


NOTE: CAVITY DOWN

PKG.CODE: K8F-4		APPROVALS	DATE	MAXIM	
CAV./PAD SIZE: FLIP CHIP	PKG. DESIGN			BUILDSHEET NUMBER: 05-2101-0032	REV.: B

ONCE PER SOCKET

ONCE PER BOARD



DEVICES : MAX 1086-89
MAX 1286-89
MAX. EXPECTED CURRENT = 1mA

DRAWN BY: HAK TAN
NOTES: