

MICRO ELECTRONICS

M67T

**SIMPLE
MELODY
GENERATOR**

DESCRIPTION

The M67T series are low power CMOS LSI in TO-92 package, designed for the application of melody generation. The built in oscillator and strong driving capability minimise the external components required. A maximum of 128 notes can be programmed and repeat mode. It is suitable for use in melody cards, toys and other similar applications.

FEATURES

Wide range of supply voltage (1.2 to 3.6V)

Maximum of 128 notes

Built - in RC oscillator

Direct driving capability to 8 ohm speaker

ABSOLUTE MAXIMUM RATINGS

Supply Voltage	0 to 3.6V
Operating Temperature	0 to 70°C
Storage Temperature	-55 to +125°C



MICRO ELECTRONICS LTD.

38, Hung To Road, Microtron Building, Kwun Tong, Kowloon, Hong Kong.

Kwun Tong P.O. Box 69477 Hong Kong. Fax No. 2341 0321 Telex: 43510 Micro Hx. Tel: 2343

REV A
page 1 of 2

M67T

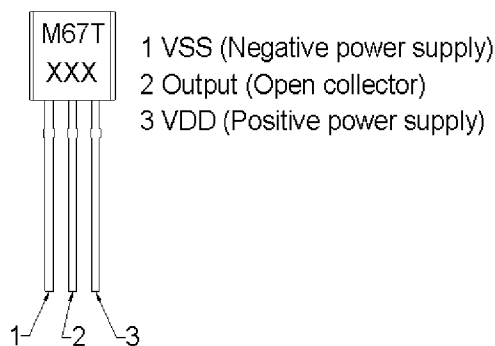
SIMPLE MELODY GENERATOR

ELECTRICAL CHARACTERISTICS

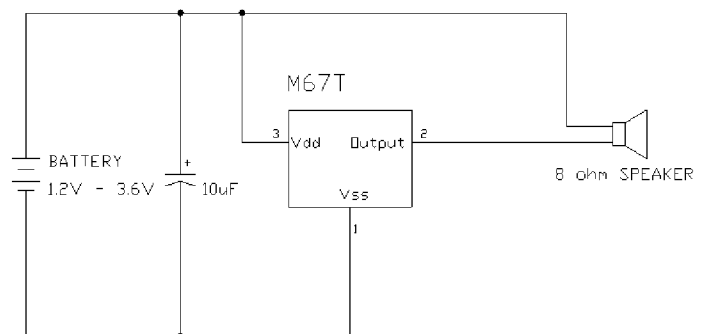
(Vdd=1.5V Vss=0V Ta=25°C unless otherwise specified)

PARAMETER	SYMBOL	MIN	TYP	MAX	UNIT	CONDITIONS
Operating Voltage	Vdd	1.2	1.5	3.6	V	Playing output open
Operating Current	Idd		8		mA	
Output Current (Open Collector)	Ioh		75	100	mA	
Oscillating Frequency	Fosc	63	90	117	KHz	
Oscillating Start Voltage	Vstr	1.3			V	
Oscillating Hole Voltage	Vh		1.2		V	

PIN ASSIGNMENT (TO-92)



TYPICAL APPLICATION CIRCUIT



MICRO ELECTRONICS LTD.

38, Hung To Road, Microtron Building, Kwun Tong, Kowloon, Hong Kong.

Kwun Tong P.O. Box 69477 Hong Kong. Fax No. 2341 0321 Telex:43510 Micro Hx. Tel: 2343 0181-5

REV A

page 2 of 2