



VOICE	
M5106	

6 SEC VOICE

6 秒 語 音 IC

### FEATURES 功能敘述

- LO : BusyH, BusyL, StopH, StopL, 3 Hz, 6 Hz, 1/4 1/2 3/4 level.
- PW1 : PWM output 1.
- PW2 : PWM output 2.
- TG : OSH LH CONT RETRIG IRRETRIG
- Debounce time : 10ms 50  $\mu$ s
- Voice + Mute length MAX. 5.3 sec, repeat 8 times.

### APPLICATION 產品應用

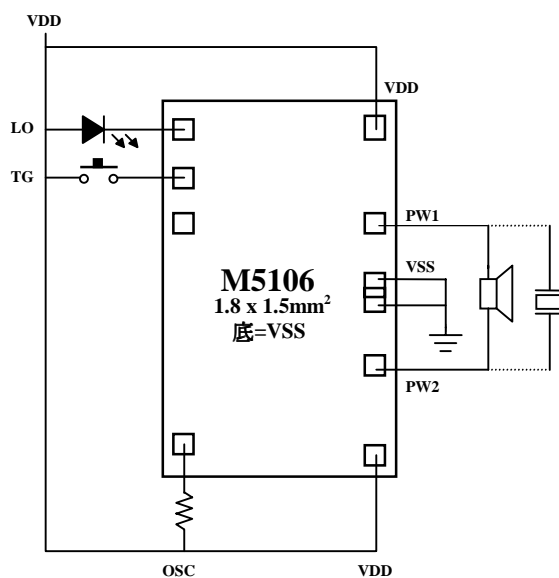
- Toy s, Clock, Pager, Game etc..

### ELECTRICAL CHARACTERISTICS 電氣規格

( @  $V_{DD}=3V$  unless otherwise specified )

Characteristics	Sym.	Min.	Typ.	Max.	Unit	REMARKS
工作電壓 Operating Voltage	$V_{DD}$	2.4	3	5.0	V	
工作電流 Operating Current	$I_{OP}$	—	0.2	1	mA	No load
靜態電流 Quiescent Current	$I_{SB}$	—	1	5	$\mu$ A	
推動電流 AUD Driving Current	$I_O$	—	-3	—	mA	@ $V_{out}=0.7V$ , Full Scale
推動電流 LO Driving Current	$I_{OH}$	1	—	—	mA	@ $V_{out}=2V$
	$I_{OL}$	3	—	—		@ $V_{out}=1.0V$
振盪頻率 Oscillator Frequency	$F_{OSC}$	—	768	—	KHz	External $\pm$ 30%, $R_{osc}=K\Omega$
工作溫度 Operating Temperature	Temp.	-10	25	60	$^{\circ}C$	

### APPLICATION DIAGRAM 參考電路圖



\*All specs and applications shown above subject to change without prior notice.

( 以上電路及規格僅供參考,本公司得逕行修正 )