

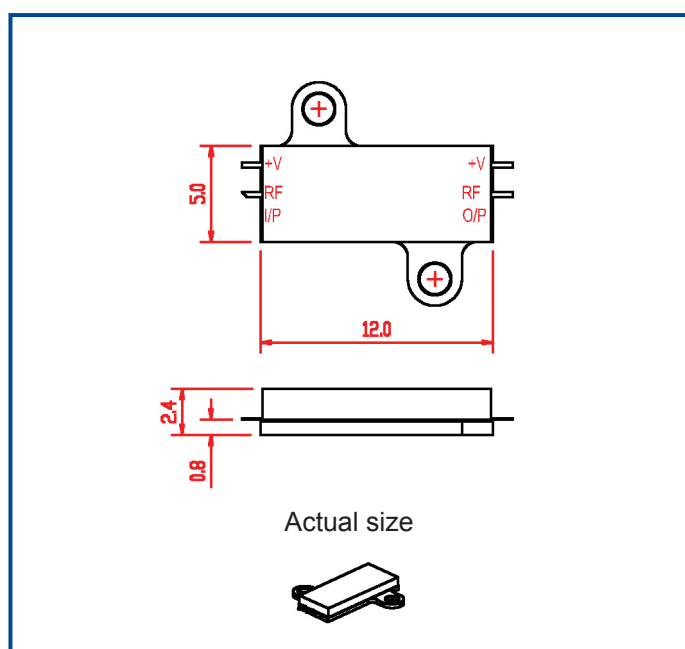


LMG002

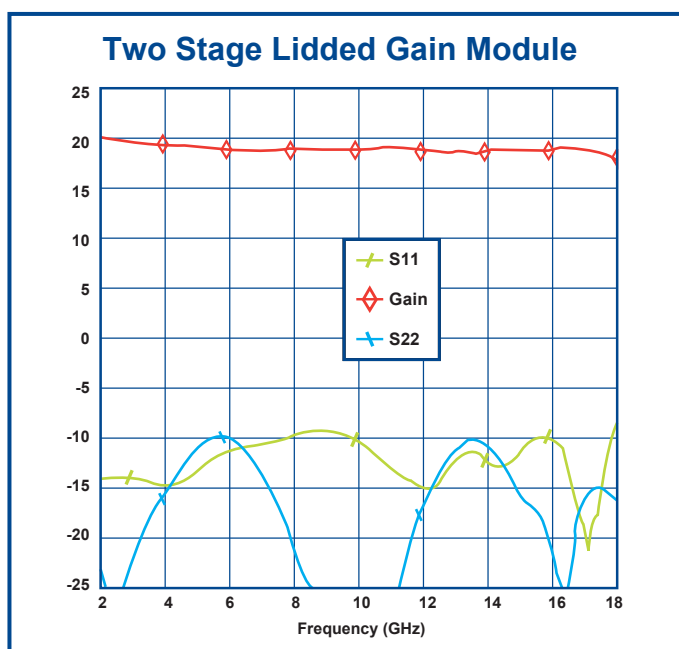
Two Stage Linear Amplifier

The LMG002 is a two stage PHEMT based microwave amplifier module comprising an organic substrate MIC on a metal carrier with a bonded cover.

OUTLINE



TYPICAL RESULTS



SPECIFICATIONS - Typical Values

Parameter	Value	Bias Voltage
Frequency range	2 to 18 GHz	
Gain	19dB	6V
	18dB	8V
Gain Ripple	±1dB	6V
	±1.5dB	8V
Noise Figure	4.5dB	6V
PldB	12dBm	6V
	14dBm	8V
Bias Current	60mA	6V
	60mA	8V

NOTES

1. All specifications at +25°C, measured in a 50_Ω system, using Labtech test jig (details on application).
2. Recommended maximum input power +19dBm
3. Gain level varies by approx. -0.03dB/°C
4. These are standard specifications, customised options are available