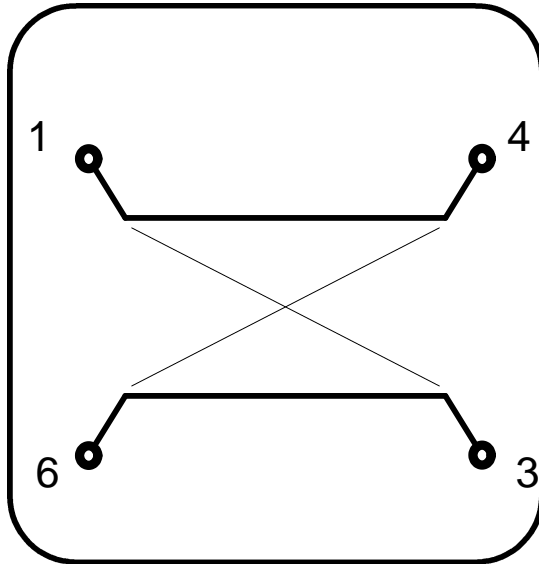


3216 Size

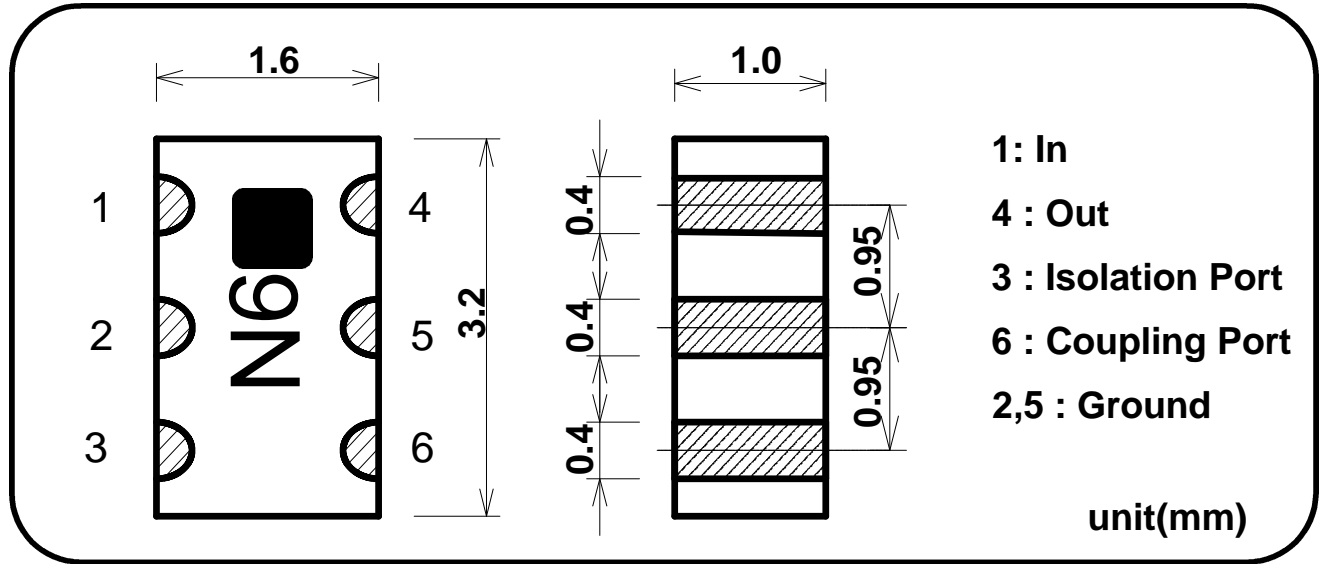
2GHz Band  
Chip Multilayer Coupler

**FSLC-220SN**

## Equivalent Circuits



## Shape & Size



## Specifications

P/N	Frequency Range(MHz)	Coupling	Insertion Loss	Isolation	Return Loss	Handling Power	Temperature Range
FSLC-220SN	2100-2200	14.0 +/- 1dB	0.7dB Max.	24dB Typ.	14dB Min.	5W Max. (CW)	-35 to +85 deg.C

# FOOT PATTERN

